

CLOSING DATE: 30/08/2022



public works
& infrastructure

Department:
Public Works and Infrastructure
REPUBLIC OF SOUTH AFRICA

QUOTATION

FOR

INSTALLATION OF SECURITY GATES

AT

WARRENTON SAPS

NORTHERN CAPE PROVINCE

DEPARTMENT OF PUBLIC WORKS
AND INFRASTRUCTURE
KIMBERLEY REGIONAL OFFICES
PRIVATE BAG X5002
KIMBERLEY
8300

PROJECT MANAGER:

L. Sebopetja

PA-03 (EC): NOTICE AND INVITATION FOR QUOTATION

THE DEPARTMENT OF PUBLIC WORKS AND INFRASTRUCTURE INVITES QUOTATIONS FOR:

Project title:	Warrenton SAPS: Installation of Security Gates
-----------------------	--

Quotation no:	CW 08/2022	Reference no:	19/2/4/2/2/2454/24
Advertising date:		Closing date:	30/08/2022
Closing time:	11h00	Validity period:	30 Calendar days

1. REQUIRED CIDB GRADING

It is estimated that tenderers should have a CIDB contractor grading designation of **1 GB or higher, or 1 SQ** * or higher.

* Delete "or select tender value range select class of construction works" where only one class of construction works is applicable

It is estimated that potentially emerging enterprises should have a CIDB contractor grading designation of **select tender value range select class of construction works PE** or higher, or **select tender value range select class of construction works PE*** or higher.

* Delete "or select tender value range select class of construction works PE" where only one class of construction works is applicable

2. RESOPONSIVNESS CRITERIA

2.1 Substantive responsiveness criteria

Only tenderers who are responsive to the following substantive responsiveness criteria are eligible to submit tenders. Failure to comply with the criteria stated hereunder shall result in the tender offer being disqualified from further consideration:

1	<input checked="" type="checkbox"/>	Only those tenderers who satisfy the eligibility criteria stated in the Tender Data may submit tenders.
2	<input checked="" type="checkbox"/>	Tender offer must be properly received on the tender closing date and time specified on the invitation, fully completed either electronically (if issued in electronic format), or by writing legibly in non-erasable ink. (All as per Standard Conditions of Tender).
3	<input checked="" type="checkbox"/>	Use of correction fluid is prohibited.
4	<input checked="" type="checkbox"/>	Submission of (DPW-07 EC): Form of Offer and Acceptance.
5	<input checked="" type="checkbox"/>	Submission of (PA-16): Preference points claim form in terms of the Preferential Procurement Regulations 2017.
6	<input checked="" type="checkbox"/>	Submission of (PA – 36 and Annexure/s C): Declaration Certificate for Local Production and Content for designated sectors.
7	<input checked="" type="checkbox"/>	Submission of DPW-09 (EC): Particulars of Tenderer's Projects.
8	<input type="checkbox"/>	Submission of DPW-16 (EC): Site Inspection Meeting Certificate.
9	<input type="checkbox"/>	Submission of record of attending compulsory virtual bid clarification / site inspection meeting.
10	<input type="checkbox"/>	Submission of DPW-21 (EC): Record of Addenda to tender documents.
11	<input checked="" type="checkbox"/>	The tenderer shall submit his fully priced Bills of Quantities / Lump Sum Document (complete document inclusive of all parts) together with his tender.
12	<input type="checkbox"/>	

YOU ARE HEREBY INVITED TO BID TO THE GOVERNMENT OF THE REPUBLIC OF SOUTH AFRICA

PLEASE TAKE NOTE

TENDER NUMBER : CW 08/2022

CLOSING TIME: 11:00

CLOSING DATE: 30/08/2022

BIDS RECEIVED AFTER THE CLOSING TIME AND DATE ARE LATE AND WILL, AS A RULE NOT BE ACCEPTED FOR CONSIDERATION

The **Tax Clearance Certificate for Bid Purposes** from the Receiver of Revenue and the **Bid Form** must be completed and signed in the original that is in ink. Forms with photocopied signatures or other such reproduction of signatures will be rejected.

BID DOCUMENTS MAY BE POSTED TO

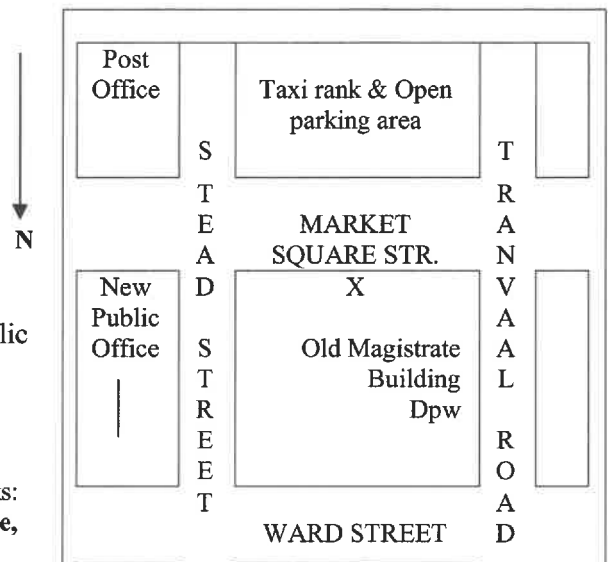
REGIONAL MANAGER
Department of Public Works
Private Bag X5002
KIMBERLEY
8300

ATTENTION: BID SECTION: ROOM N22

Bid documents that are posted must reach the Department of Public Works before 11:00 on the closing date of the bid.

OR

The bid documents may be deposited at the Department of Public Works:
Head Office: **Room 29, Old Magistrate Offices, 21-23 Market Square, Kimberley, 8300.**



The Office of the Department of Public Works is open **Mondays to Fridays**
07:30 – 12:45 / 13:30 – 15:30. However, if the bid is late, it will, as a rule not be accepted for consideration.

Bidders should ensure that bids are delivered timeously to the correct address.

SUBMIT ALL BIDS ON THE OFFICIAL FORMS - DO NOT RETYPE.

Bids by telegram, facsimile or other similar apparatus will not be accepted for consideration.

SUBMIT EACH BID IN A SEPARATE SEALED ENVELOPE.

The Government Tender Bulletin is available on the Internet on the following web sites:

1. <http://www.treasury.gov.za>
2. <http://www.gov.za/bids/>

Quotation no: Insert and press "Tab"

13	<input type="checkbox"/>	
14	<input type="checkbox"/>	
15	<input type="checkbox"/>	

2.2 Administrative responsiveness criteria

The Employer reserves the right to request further information regarding the undermentioned criteria. Failing to submit further clarification and/or documentation within seven (7) calendar days from request or as specifically indicated, will disqualify the tender offer from further consideration.

1	<input checked="" type="checkbox"/>	Any correction to be initialled by the person authorised to sign the tender documentation as per PA 15.1 or PA 15.2 resolution of board/s of directors / or PA15.3 Special Resolution of Consortia or JV's .
2	<input checked="" type="checkbox"/>	Submission of applicable (PA-15.1, PA-15.2, PA-15.3): Resolution by the legal entity, or consortium / joint venture, authorising a dedicated person(s) to sign documents on behalf of the firm / consortium / joint venture.
3	<input checked="" type="checkbox"/>	Submission of (PA-11): Bidder's disclosure.
4	<input checked="" type="checkbox"/>	Submission of (PA 40): Declaration of Designated Groups for Preferential Procurement.
5	<input checked="" type="checkbox"/>	Submission of proof of Registration on National Treasury's Central Supplier Database (CSD).
6	<input type="checkbox"/>	Submission of DPW-15 (EC): Schedule of proposed sub-contractors
7	<input type="checkbox"/>	The tenderer shall submit his fully priced Bills of Quantities (complete document inclusive of all parts) within 14 days from request.
8	<input checked="" type="checkbox"/>	Upon request, submission of fingerprints obtainable from local SAPS including any other additional documentation and information required for vetting purposes.
9	<input checked="" type="checkbox"/>	Upon request, submission of a fully completed security clearance application form with supporting documentation and information as required. The security clearance form will be provided by the Employer for projects requiring a security clearance.
10	<input type="checkbox"/>	
11	<input type="checkbox"/>	
12	<input type="checkbox"/>	
13	<input type="checkbox"/>	
14	<input type="checkbox"/>	
15	<input type="checkbox"/>	

Quotation no: Insert and press "Tab"

3. PREQUALIFICATION CRITERIA

Preferential procurement: *Applicable*

Tenderer must comply with the Pre-qualification criteria for Preferential Procurement listed below

<input checked="" type="checkbox"/>	A tenderer having stipulated minimum B-BBEE status level of contributor: <input checked="" type="checkbox"/> Level 1 or <input type="checkbox"/> Level 2 or <input type="checkbox"/> Level 3
<input type="checkbox"/>	An EME or QSE
<input type="checkbox"/>	A tenderer subcontracting a minimum of 30% to: <input type="checkbox"/> An EME or QSE which is at least 51% owned by black people <input type="checkbox"/> An EME or QSE which is at least 51% owned by black people who are youth <input type="checkbox"/> An EME or QSE which is at least 51% owned by black people who are women <input type="checkbox"/> An EME or QSE which is at least 51% owned by black people with disabilities <input type="checkbox"/> An EME or QSE which is at least 51% owned by black people living in rural or underdeveloped areas or townships <input type="checkbox"/> A co-operative which is at least 51% owned by black people <input type="checkbox"/> An EME or QSE which is at least 51% owned by black people who are Military veterans <input type="checkbox"/> An EME or QSE;

Functionality: *Not applicable*

Note: *All bids involving the acquisition of engineering and construction works from cidb Grade 4 and above are subjected to functionality.*

Note: *Functionality will be applied as a prequalification criterion. Such criteria are used to establish minimum requirements where after bids will be evaluated solely on the basis of price and preference.*

Minimum functionality score to qualify for further evaluation:	
Functionality criteria:	Weighting factor:

Total	100 Points
--------------	-------------------

Quotation no: Insert and press "Tab"

4. BID EVALUATION METHOD

This bid will be evaluated according to the preferential procurement model in the PPPFA: (Tick applicable preference point scoring system)

<input checked="" type="checkbox"/> 80/20 Preference points scoring system	<input type="checkbox"/> 90/10 Preference points scoring system	<input type="checkbox"/> Either 80/20 or 90/10 Preference points scoring system
--	---	---

In case where below/above R 50 000 000 is selected, the lowest acceptable tender will be used to determine the applicable preference point system.

5. ELIGIBILITY IN RESPECT OF RISK TO THE EMPLOYER:

Standard risk management assessment criteria in respect of tenders received for routine projects in the engineering and construction works environments:

Tender offers will be evaluated by an Evaluation Committee based on the technical and commercial risk criteria listed hereunder. Each criterion carries the same weight / importance and will be evaluated individually based on reports presented to the Bid Evaluation Committee by the Professional Team appointed on the project. A tender offer will be declared non-responsive and removed from any further evaluation if any one criterion is found to present an unacceptable risk to the Employer.

In order for the evaluation reports to be prepared by the Professional Team, the Tenderer is obliged to provide comprehensive information on form DPW-09 (EC). Failure to complete the said form will cause the tender to be declared non-responsive and removed from any further consideration. The Employer reserves the right to request additional information over and above that which is provided by the Tenderer on said form. The information must be provided by the Tenderer within the stipulated time as determined by the Bid Evaluation Committee, failing which the tender offer will *mutatis mutandis* be declared non-responsive.

5.1 Technical risks:

Criterion 1: Experience on comparable projects during the past specify period between 5 and 10 years.

The tendering Service Provider's experience on comparable projects during the past specify period between 5 and 10 years. The number of current and previous comparable projects performed by the Tenderer as per the evaluation report prepared by the Consultant Team, based on its research and inspection of a representative sample of the Tenderer's current and previous work as reflected on form DPW-09 (EC), as well as, if necessary, of any additional work executed by the Tenderer, not reflected on form DPW-09 (EC). Failing to provide contactable references will result in the tender offer will be *mutatis mutandis* declared non-responsive.

Aspects to be regarded as "comparable" includes (but may be extended according to circumstances): size of projects (measured against monetary value or other project quantifying parameters), nature of projects (building, engineering, high/low rise, etc.), locality/area of execution (site-specific influences, knowledge of local conditions, etc.), complexity of project, projects for similar client department irrespective of end purpose of buildings/facilities created or in progress of being created and time scales of projects (normal, fast track, etc.) and stage of its/their development.

Criterion 2: Contractual commitment and quality of performance on comparable projects during the past specify between 5 and 10 years.

Adherence to contractual commitments and quality of performance of comparable current and previous projects performed by the Tenderer during the past specify period between 5 and 10 years as per the

Quotation no: Insert and press "Tab"

evaluation report prepared by the Consultant Team, based on its research and inspection of a representative sample of the Tenderer's current and previous work as reflected on form DPW-09 (EC), as well as, if necessary, of any additional work executed by the Tenderer.

Aspects to be considered include, but are not limited to the following:

1. The level of progress on current projects in relation to the project programme or, if such is not available/applicable, to the contractual construction period in general;
2. The degree to which previous projects have been completed within the contractual completion periods and/or extensions thereto, and the extend of penalties imposed;
3. Project performance: time management & programming of works, timeous ordering of materials and appointment of subcontractors;
4. Financial management: payment to suppliers and cash flow problems;
5. Quality of workmanship: extent of reworks and timeous attention to remedial works;
6. Personnel resources: suitably qualified and experienced, turnover in site staff and labour force, specifically site manager and foreman;
7. Personnel management: extent of labour disputes and ability to resolving labour disputes amicably;
8. Sub-contractors: extent of turnover in subcontractors, general liaison and payment problems experienced;
9. Contract administration: contractual aspects such as complying to laws and regulations, insurances, security, submission of required documentation timeously, reaction to written contract instructions, appointments of subcontractors, etc. as can generally be expected in standard/normal conditions of contract.
10. Health & Safety: adherence to regulations and compliance, and number of transgressions & serious incidents.
11. Plant & equipment: sufficient resources on site and in time.
12. Delays: extent of causing delays, submission of claims timeously, and abuse of or exaggerated delay claims.
13. Final account: extent to which the contractor assisted in finalising the final account.

Criterion 3: Suitably qualified and appropriately experienced human resources

Allocation of suitably qualified and appropriately experienced human resources, both in respect of principals and/or other staff (contract manager, site agent, site foreman including other professional, technical and/or administrative) of the tendering Service Provider to the project, as proof that the tendering Service Provider will be able to react/respond appropriately to the Services required herein. The Company Organogram with CV's and certified ID's of all principals and employed workforce as well as proof of Professional Registration will be verified. Current and future workload of the tenderer in relation to capacity and capability will also be considered. The tenderer should demonstrate that he or she possesses the necessary professional and technical qualifications and -competence in relation to the scope of work and work to be undertaken.

Criterion 4: Attendance of compulsory bid clarification meeting, if applicable

If applicable, submission of confirmation of DPW-16.1 (PSB) attendance of compulsory bid clarification meeting or proof of attending the compulsory virtual meeting by a suitably qualified and experienced representative of the tenderer in terms of PA-04 (EC): Notice and Invitation to Tender.

5.2 Commercial risks:

The financial viability assessment evaluates the risk over the life of the construction period, as to whether the tenderer will be able to deliver the goods and services which are specified in the contract and / or be able to fulfil guarantees or warranties provided for in the contract in order to complete the project successfully for the amount tendered.

Aspects to be considered include but are not limited to, the respective rates tendered, bank rating, financial capability and capacity whether the tenderer has or has access to sufficient financial resources to deliver the goods or services described in the tender documentation (including fulfilling any guarantees or warranty

Quotation no: Insert and press "Tab"

claims), whether the tenderer is not subject to any current or impending legal action (either formal proceedings or notification of legal action) which could impact on the financial standing of the tenderer or the delivery of the goods or services, financial report from auditors as proof of current liquidity, and company or any parent company or investor guarantee/s and financial statements.

6. COLLECTION OF TENDER DOCUMENTS

Bid documents are available for free download on e-Tender portal www.etenders.gov.za

Alternatively; quotation documents may be collected during working hours at the following address **21-23 Market Square, Old Magistrate Building, Kimberley, 8300**. A non-refundable bid deposit of R 0.00 is payable (cash only) on collection of the bid documents.

7. SITE INSPECTION MEETING

A pre-tender site inspection meeting will **not be** held in respect of this tender.
Attendance of said pre- tender site inspection meeting is **select**

The particulars for said pre- tender site inspection meeting or virtual bid clarification / site inspection meeting. are:

Venue:	(type in here the place or "N/A")		
Virtual meeting Link:	(type in here the place or "N/A")		
Date:	(type in here the date or "N/A")	Starting time:	(type in here the time or "N/A")

8. ENQUIRIES

Enquiries related to tender documents may be addressed to:

DPWI Project Manager:	Lerato Sebopetja	Telephone no:	053 838 5347
Cellular phone no:	082 806 0387	Fax no:	
E-mail:	Lerato.Sebopetja@dpw.gov.za		

9. DEPOSIT / RETURN OF QUOTATION DOCUMENTS

Telegraphic, telephonic, telex, facsimile, electronic and / or late tenders will not be accepted.


Requirements for sealing, addressing, delivery, opening and assessment of tenders are stated in the Tender Data.

All tenders must be completed in non-erasable ink and submitted on the official forms – (forms not to be re-typed).

Quotation no: Insert and press "Tab"

<p>Tender documents may be posted to:</p> <p>The Director-General Department of Public Works and Infrastructure Private Bag X 5002 Kimberley 8300</p> <p>Attention: Procurement section: Room insert room no</p>	<p>OR</p>	<p>Deposited in the tender box at:</p> <p>21-23 Market Square Old Magistrate Building Kimberley insert room no</p>
--	------------------	--

10. COMPILED BY:

Lerato Sebopetja		15/08/2021
Name of Project Manager	Signature	Date

PA-09 (EC): LIST OF RETURNABLE DOCUMENTS

Project title:	<i>Warrenton SAPS: Installation of Security Gates</i>		
Tender / Quotation no:	<i>CW 08/2022</i>	Reference no:	19/2/4/2/2/2454/24
Receipt Number:			

1. RETURNABLE DOCUMENTS REQUIRED FOR TENDER EVALUATION PURPOSES

Note: Failure to submit the applicable documents will result in the tender offer being disqualified from further consideration.

Tender document name	Number of pages issued	Returnable document
Form of Offer and Acceptance (DPW-07 EC)	4 Pages	Yes
Submission of Bidder's disclosure (PA-11)	3 Pages	Yes
Resolution of Board of Directors (PA-15.1) <i>(if applicable)</i>	1 Page	Yes
Resolution of Board of Directors to enter into Consortia or JV's (PA-15.2) <i>(if applicable)</i>	2 Pages	Yes
Special Resolution of Consortia or JV's (PA-15.3) <i>(if applicable)</i>	3 Pages	Yes
Preference points claim form in terms of the Preferential Procurement Regulations 2017 (PA – 16.1)	5 Pages	Yes
Declaration Certificate for Local Production and Content for designated sectors (PA – 36 and Annexure/s C)		Yes
Fully completed Declaration of Designated Groups for Preferential Procurement (PA 40)	2 Pages	Yes
Registration on National Treasury's Central Supplier Database (CSD).	-	Yes
Particulars of Tenderer's Projects (DPW-09 EC)	2 Pages	Yes
Site Inspection Meeting Certificate (DPW-16 EC) <i>(if applicable)</i> .	1 Page	
Record of attending compulsory virtual bid clarification / site inspection meeting <i>(if applicable)</i> .	1 Page	
Record of Addenda to tender documents (DPW-21 EC)	1 Page	Yes
Proof of 30% Subcontracting participation and related documents in terms of the Preferential Procurement Regulations 2017 <i>(if applicable)</i> .		

* In compliance with the requirements of the cidb SFU Annexure G

Tender / Quotation no:

2. ADDITIONAL RETURNABLE DOCUMENTS REQUIRED FOR TENDER EVALUATION PURPOSES

Note: Failure to submit the applicable documents will result in the Tenderer having to submit same upon request within a stipulated time and if not complied with, will result in the tender offer being disqualified from further consideration. [See also C.2.18 of the Standard Conditions of Tender]

Tender document name	Number of pages issued	Returnable document
Any <u>additional</u> information required to complete a risk assessment (<i>if applicable</i>)	-	Yes
Any correction to be initialled by the person authorised to sign the tender documentation as per PA 15.1 or PA 15.2 resolution of board/s of directors / or PA15.3 Special Resolution of Consortia or JV's .		
Submission of applicable (PA-15.1, PA-15.2, PA-15.3): Resolution by the legal entity, or consortium / joint venture, authorising a dedicated person(s) to sign documents on behalf of the firm / consortium / joint venture.		

3. RETURNABLE DOCUMENTS THAT WILL BE INCORPORATED INTO THE CONTRACT

Note: Failure to submit the applicable documents will result in the Tenderer having to submit same upon request within a stipulated time and if not complied with, will result in the tender offer being disqualified from further consideration. [See also C.2.18 of the Standard Conditions of Tender]

Tender document name	Number of pages issued	Returnable document
Schedule of proposed sub-contractors (DPW-15 EC) (<i>if applicable</i>)	1 Page	Yes
Particulars of Electrical Contractor (DPW-22 EC) (<i>if applicable</i>)	1 Page	Yes
Mechanical / Electrical / Security Work material and equipment schedules (<i>if applicable</i>)	Pages	Yes
Schedule for Imported Materials and Equipment (DPW-23 EC) (<i>if applicable</i>)	1 Page	Yes

4. OTHER DOCUMENTS THAT WILL BE INCORPORATED INTO THE CONTRACT

(Insert a tick in the "Returnable document" column to indicate which documents must be returned with the tender)

Note: Failure to submit the applicable documents will result in the tender offer being disqualified from further consideration.

Tender document name	Number of pages issued	Returnable document
Priced Bills of Quantities / Lump Sum Document (complete document inclusive of all parts)	12 Pages	<input checked="" type="checkbox"/> Yes <input type="checkbox"/> No
Fully priced and completed sectional summary- and final summary pages with the tender.	1 Pages	<input checked="" type="checkbox"/> Yes <input type="checkbox"/> No

Tender / Quotation no:

Tender document name	Number of pages issued	Returnable document
<i>insert document name</i>	Pages	<input type="checkbox"/> Yes <input type="checkbox"/> No
<i>insert document name</i>	Pages	<input type="checkbox"/> Yes <input type="checkbox"/> No
<i>insert document name</i>	Pages	<input type="checkbox"/> Yes <input type="checkbox"/> No

5. ADDITIONAL INFORMATION THAT MAY BE REQUIRED FOR TENDER EVALUATION PURPOSES

Legal Status of Tendering Entity: If the Tendering Entity is:	Documentation to be submitted with the tender, or which may be required during the tender evaluation:
a. A close corporation, incorporated prior to 1 May 2011 under the Close Corporations Act, 1984 (Act 69 of 1984, as amended)	Copies of the Founding Statement – CK1
b. A profit company duly registered as a private company. [including a profit company that meets the criteria for a private company, whose Memorandum of Incorporation states that the company is a personal liability company in terms of Section 8(2)(c) of the Companies Act, 2008 (Act 71 of 2008, as amended)].	Copies of: i. Certificate of Incorporation – CM1; ii. Shareholding Certificates of all Shareholders of the company, plus a signed statement of the company's Auditor, certifying each Shareholder's ownership / shareholding percentage relative to the total; and/or iii. Memorandum of Incorporation in the case of a personal liability company.
c. A profit company duly registered as a private company in which any, or all, shares are held by one or more other close corporation(s) or company(ies) duly registered as profit or non-profit company(ies).	Copies of documents referred to in a. and/or b. above in respect of all such close corporation(s) and/or company(ies).
d. A profit company duly registered as a public company.	Copy of Certificate of Incorporation – CM1, and a signed statement of the company's Secretary or Auditor confirming that the company is a public company.
e. A non-profit company, incorporated in terms of Section 10 and Schedule 1 of the Companies Act, 2008 (Act 71 of 2008, as amended).	Copies of: i the Founding Statement – CK1; and ii the Memorandum of Incorporation setting out the object of the company, indicating the public benefit, cultural or social activity, or communal or group interest.
f. A natural person, sole proprietor or a Partnership	Copy(ies) of the Identity Document(s) of: i. such natural person/ sole proprietor, or each of the Partners to the Partnership.
g. A Trust	Deed of Trust duly indicating names of the Trustee(s) and Beneficiary (ies) as well as the purpose of the Trust and the mandate of the Trustees.

Signed by the Tenderer

Name of representative	Signature	Date

PA-11: BIDDER'S DISCLOSURE

1. PURPOSE OF THE FORM

Any person (natural or juristic) may make an offer or offers in terms of this invitation to bid. In line with the principles of transparency, accountability, impartiality, and ethics as enshrined in the Constitution of the Republic of South Africa and further expressed in various pieces of legislation, it is required for the bidder to make this declaration in respect of the details required hereunder.

Where a person/s are listed in the Register for Tender Defaulters and / or the List of Restricted Suppliers, that person will automatically be disqualified from the bid process.

2. Bidder's declaration

- 2.1 Is the bidder, or any of its directors / trustees / shareholders / members / partners or any person having a controlling interest (1) in the enterprise, employed by the state?

YES / NO

- 2.1.1 If so, furnish particulars of the names, individual identity numbers, and, if applicable, state employee numbers of sole proprietor/ directors / trustees / shareholders / members/ partners or any person having a controlling interest in the enterprise, in table below.

Full Name	Identity Number	Name of State institution

(1) the power, by one person or a group of persons holding the majority of the equity of an enterprise, alternatively, the person/s having the deciding vote or power to influence or to direct the course and decisions of the enterprise.

2.2 Do you, or any person connected with the bidder, have a relationship with any person who is employed by the procuring institution?

YES / NO

2.2.1 If so, furnish particulars:

.....

2.3 Does the bidder or any of its directors / trustees / shareholders / members / partners or any person having a controlling interest in the enterprise have any interest in any other related enterprise whether or not they are bidding for this contract?

YES / NO

2.3.1 If so, furnish particulars:

.....

3 DECLARATION

I, the undersigned, (name).....
 in submitting the accompanying bid, do hereby make the following statements that I certify to be true and complete in every respect:

- 3.1 I have read and I understand the contents of this disclosure;
- 3.2 I understand that the accompanying bid will be disqualified if this disclosure is found not to be true and complete in every respect;
- 3.3 The bidder has arrived at the accompanying bid independently from, and without consultation, communication, agreement or arrangement with any competitor. However, communication between partners in a joint venture or consortium² will not be construed as collusive bidding.
- 3.4 In addition, there have been no consultations, communications, agreements or arrangements with any competitor regarding the quality, quantity, specifications, prices, including methods, factors or formulas used to calculate prices, market allocation, the intention or decision to submit or not to submit the bid, bidding with the intention not to win the bid and conditions or delivery particulars of the products or services to which this bid invitation relates.
- 3.5 The terms of the accompanying bid have not been, and will not be, disclosed by the bidder, directly or indirectly, to any competitor, prior to the date and time of the official bid opening or of the awarding of the contract.
- 3.6 There have been no consultations, communications, agreements or arrangements made by the bidder with any official of the procuring institution in relation to this procurement process prior to and during the bidding process except to provide clarification on the bid submitted where so required by the institution; and the bidder was not involved in the drafting of the specifications or terms of reference for this bid.

² Joint venture or Consortium means an association of persons for the purpose of combining their expertise, property, capital, efforts, skill and knowledge in an activity for the execution of a contract.



3.7 I am aware that, in addition and without prejudice to any other remedy provided to combat any restrictive practices related to bids and contracts, bids that are suspicious will be reported to the Competition Commission for investigation and possible imposition of administrative penalties in terms of section 59 of the Competition Act No 89 of 1998 and or may be reported to the National Prosecuting Authority (NPA) for criminal investigation and or may be restricted from conducting business with the public sector for a period not exceeding ten (10) years in terms of the Prevention and Combating of Corrupt Activities Act No 12 of 2004 or any other applicable legislation.

I CERTIFY THAT THE INFORMATION FURNISHED IN PARAGRAPHS 1, 2 and 3 ABOVE IS CORRECT.

I ACCEPT THAT THE STATE MAY REJECT THE BID OR ACT AGAINST ME IN TERMS OF PARAGRAPH 6 OF PFMA SCM INSTRUCTION 03 OF 2021/22 ON PREVENTING AND COMBATING ABUSE IN THE SUPPLY CHAIN MANAGEMENT SYSTEM SHOULD THIS DECLARATION PROVE TO BE FALSE.

.....
Signature

.....
Date

.....
Position

.....
Name of bidder

This form has been aligned with SBD4

PA-15.1: RESOLUTION OF BOARD OF DIRECTORS

RESOLUTION of a meeting of the Board of *Directors / Members / Partners of:

_____ (Legally correct full name and registration number, if applicable, of the Enterprise)

Held at _____ (place)

on _____ (date)

RESOLVED that:

1. The Enterprise submits a Bid / Tender to the Department of Public Works in respect of the following project:

_____ (Project description as per Bid / Tender Document)

Bid / Tender Number: _____ (Bid / Tender Number as per Bid / Tender Document)

2. *Mr/Mrs/Ms: _____

in *his/her Capacity as: _____ (Position in the Enterprise)

and who will sign as follows: _____

be, and is hereby, authorised to sign the Bid / Tender, and any and all other documents and/or correspondence in connection with and relating to the Bid / Tender, as well as to sign any Contract, and any and all documentation, resulting from the award of the Bid / Tender to the Enterprise mentioned above.

	Name	Capacity	Signature
1			
2			
3			
4			
5			
6			
7			
8			
9			
10			
11			
12			
13			
14			
15			
16			

17			
18			
19			
20			

The bidding enterprise hereby absolves the Department of Public Works from any liability whatsoever that may arise as a result of this document being signed.

Note:

1. * ~~Delete which is not applicable.~~
2. **NB:** This resolution must, where possible, be signed by all the Directors / Members / Partners of the Bidding Enterprise.
3. In the event that paragraph 2 cannot be complied with, the resolution must be signed by Directors / Members / Partners holding a majority of the shares / ownership of the Bidding Enterprise (attach proof of shareholding / ownership hereto).
4. Directors / Members / Partners of the Bidding Enterprise may alternatively appoint a person to sign this document on behalf of the Bidding Enterprise, which person must be so authorized by way of a duly completed power of attorney, signed by the Directors / Members / Partners holding a majority of the shares / ownership of the Bidding Enterprise (proof of shareholding / ownership and power of attorney are to be attached hereto).
5. Should the number of Directors / Members / Partners exceed the space available above, additional names and signatures must be supplied on a separate page.

ENTERPRISE STAMP

PA-15.2: RESOLUTION OF BOARD OF DIRECTORS TO ENTER INTO CONSORTIA OR JOINT VENTURES

RESOLUTION of a meeting of the Board of *Directors / Members / Partners of:

(Legally correct full name and registration number, if applicable, of the Enterprise)

Held at _____ (place)

on _____ (date)

RESOLVED that:

1. The Enterprise submits a Bid /Tender, in consortium/Joint Venture with the following Enterprises:

(List all the legally correct full names and registration numbers, if applicable, of the Enterprises forming the Consortium/Joint Venture)

to the Department of Public Works in respect of the following project:

(Project description as per Bid /Tender Document)

Bid / Tender Number: _____ (Bid / Tender Number as per Bid / Tender Document)

2. *Mr/Mrs/Ms: _____

in *his/her Capacity as: _____ (Position in the Enterprise)

and who will sign as follows: _____

be, and is hereby, authorised to sign a consortium/joint venture agreement with the parties listed under item 1 above, and any and all other documents and/or correspondence in connection with and relating to the consortium/joint venture, in respect of the project described under item 1 above.

3. The Enterprise accepts joint and several liability with the parties listed under item 1 above for the due fulfilment of the obligations of the joint venture deriving from, and in any way connected with, the Contract to be entered into with the Department in respect of the project described under item 1 above.
4. The Enterprise chooses as its *domicilium citandi et executandi* for all purposes arising from this joint venture agreement and the Contract with the Department in respect of the project under item 1 above:

Physical address: _____

_____ (code)

Postal Address: _____

 _____ (code)

Telephone number: _____

Fax number: _____

	Name	Capacity	Signature
1			
2			
3			
4			
5			
6			
7			
8			
9			
10			
11			
12			
13			
14			
15			

The bidding enterprise hereby absolves the Department of Public Works from any liability whatsoever that may arise as a result of this document being signed

Note:

- * Delete which is not applicable.
- NB:** This resolution must, where possible, be signed by all the Directors / Members / Partners of the Bidding Enterprise.
- In the event that paragraph 2 cannot be complied with, the resolution must be signed by Directors / Members / Partners holding a majority of the shares / ownership of the Bidding Enterprise (attach proof of shareholding / ownership hereto).
- Directors / Members / Partners of the Bidding Enterprise may alternatively appoint a person to sign this document on behalf of the Bidding Enterprise, which person must be so authorized by way of a duly completed power of attorney, signed by the Directors / Members / Partners holding a majority of the shares / ownership of the Bidding Enterprise (proof of shareholding / ownership and power of attorney are to be attached hereto).
- Should the number of Directors / Members / Partners exceed the space available above, additional names and signatures must be supplied on a separate page.

ENTERPRISE STAMP

PA-15.3: SPECIAL RESOLUTION OF CONSORTIA OR JOINT VENTURES

RESOLUTION of a meeting of the duly authorised representatives of the following legal entities who have entered into a consortium/joint venture to jointly bid for the project mentioned below: *(legally correct full names and registration numbers, if applicable, of the Enterprises forming a Consortium/Joint Venture)*

1. _____

2. _____

3. _____

4. _____

5. _____

6. _____

7. _____

8. _____

Held at _____ *(place)*

on _____ *(date)*

RESOLVED that:

RESOLVED that:

- A. The above-mentioned Enterprises submit a Bid in Consortium/Joint Venture to the Department of Public Works in respect of the following project:

(Project description as per Bid /Tender Document)

Bid / Tender Number: _____ *(Bid / Tender Number as per Bid /Tender Document)*

PA-15.3: Special Resolution of Consortia or Joint Ventures

B. *Mr/Mrs/Ms: _____

in *his/her Capacity as: _____ (Position in the Enterprise)

and who will sign as follows: _____

be, and is hereby, authorised to sign the Bid, and any and all other documents and/or correspondence in connection with and relating to the Bid, as well as to sign any Contract, and any and all documentation, resulting from the award of the Bid to the Enterprises in Consortium/Joint Venture mentioned above.

C. The Enterprises constituting the Consortium/Joint Venture, notwithstanding its composition, shall conduct all business under the name and style of:

D. The Enterprises to the Consortium/Joint Venture accept joint and several liability for the due fulfilment of the obligations of the Consortium/Joint Venture deriving from, and in any way connected with, the Contract entered into with the Department in respect of the project described under item A above.

E. Any of the Enterprises to the Consortium/Joint Venture intending to terminate the consortium/joint venture agreement, for whatever reason, shall give the Department 30 days written notice of such intention. Notwithstanding such decision to terminate, the Enterprises shall remain jointly and severally liable to the Department for the due fulfilment of the obligations of the Consortium/Joint Venture as mentioned under item D above.

F. No Enterprise to the Consortium/Joint Venture shall, without the prior written consent of the other Enterprises to the Consortium/Joint Venture and of the Department, cede any of its rights or assign any of its obligations under the consortium/joint venture agreement in relation to the Contract with the Department referred to herein.

G. The Enterprises choose as the *domicilium citandi et executandi* of the Consortium/Joint Venture for all purposes arising from the consortium/joint venture agreement and the Contract with the Department in respect of the project under item A above:

Physical address: _____

_____ (Postal code) _____

Postal Address: _____

_____ (Postal code) _____

Telephone number: _____

Fax number: _____

PA-15.3: Special Resolution of Consortia or Joint Ventures

	Name	Capacity	Signature
1			
2			
3			
4			
5			
6			
7			
8			
9			
10			
11			
12			
13			
14			
15			

The bidding enterprise hereby absolves the Department of Public Works & Infrastructure from any liability whatsoever that may arise as a result of this document being signed.

Note:

1. * Delete which is not applicable.
2. **NB:** This resolution must be signed by all the Duly Authorised Representatives of the Legal Entities to the consortium/joint venture submitting this tender, as named in item 2 of Resolution PA-15.2.
3. Should the number of the Duly Authorised Representatives of the Legal Entities joining forces in this tender exceed the space available above, additional names, capacity and signatures must be supplied on a separate page.
4. Resolution PA-15.2, duly completed and signed, from the separate Enterprises who participate in this consortium/joint venture, must be attached to this Special Resolution (PA-15.3).



PA16: PREFERENCE POINTS CLAIM FORM IN TERMS OF THE PREFERENTIAL PROCUREMENT REGULATIONS 2017

This preference form must form part of all bids invited. It contains general information and serves as a claim form for preference points for Broad-Based Black Economic Empowerment (B-BBEE) Status Level of Contribution

NB: BEFORE COMPLETING THIS FORM, BIDDERS MUST STUDY THE GENERAL CONDITIONS, DEFINITIONS AND DIRECTIVES APPLICABLE IN RESPECT OF B-BBEE, AS PRESCRIBED IN THE PREFERENTIAL PROCUREMENT REGULATIONS, 2017 AND THE AMENDED B-BBEE CODES.

1. GENERAL CONDITIONS

1.1. The following preference point systems are applicable to all bids:

- the 80/20 system for requirements with a Rand value of up to R50 000 000 (all applicable taxes included); and
- the 90/10 system for requirements with a Rand value above R50 000 000 (all applicable taxes included).

1.2. The value of this bid is estimated to **Not Exceed** R50 000 000 (all applicable taxes included) and therefore the...**80/20**.....system shall be applicable.

1.3. Preference points for this bid shall be awarded for:

- (a) Price; and
- (b) B-BBEE Status Level of Contribution.

1.3.1 The maximum points for this bid are allocated as follows:

	POINTS
1.3.1.1 PRICE	80
1.3.1.2 B-BBEE STATUS LEVEL OF CONTRIBUTION	20
Total points for Price and B-BBEE must not exceed	100

1.4. Failure on the part of a bidder to fill in and/or to sign this form and submit a B-BBEE Verification Certificate from a Verification Agency accredited by the South African Accreditation System (SANAS) or an Accounting Officer as contemplated in the Close Corporation Act (CCA) together with the bid, will be interpreted to mean that preference points for B-BBEE status level of contribution are not claimed.

1.5. An Exempted Micro Enterprise (EME) is only required to obtain a sworn affidavit or a certificate issued by Companies and intellectual property Commission (CIPC) confirming their annual turnover of R10 Million or less and level of black ownership to claim points.

1.6. Qualifying Small Enterprise (QSE) is only required to obtain a sworn affidavit or a certificate issued by Companies and intellectual property Commission (CIPC) confirming their annual turnover of R10 Million or less and level of black ownership to claim points.

- 1.7 The purchaser reserves the right to require of a bidder, either before a bid is adjudicated or at any time subsequently, to substantiate any claim in regard to preferences, in any manner required by the purchaser.
- 1.8 CERTIFICATES ISSUED BY IRBA AND ACCOUNTING OFFICER HAVE BEEN DISCONTINUED; HOWEVER VALID CERTIFICATES ALREADY ISSUED BEFORE 01 JANUARY 2017 MAY BE USED UNTIL THEY PHASE OUT COMPLETELY BY DECEMBER 2017

2. DEFINITIONS

- (a) **“all applicable taxes”** includes value-added tax, pay as you earn, income tax, unemployment insurance fund contributions and skills development levies;
- (b) **“B-BBEE”** means broad-based black economic empowerment as defined in section 1 of the Broad-Based Black Economic Empowerment Act;
- (c) **“B-BBEE status level of contributor”** means the B-BBEE status received by a measured entity based on its overall performance using the relevant scorecard contained in the Codes of Good Practice on Black Economic Empowerment, issued in terms of section 9(1) of the Broad-Based Black Economic Empowerment Act;
- (d) **“bid”** means a written offer in a prescribed or stipulated form in response to an invitation by an organ of state for the provision of services, works or goods, through price quotations, advertised competitive bidding processes or proposals;
- (e) **“Broad-Based Black Economic Empowerment Act”** means the Broad-Based Black Economic Empowerment Act, 2003 (Act No. 53 of 2003);
- (f) **“comparative price”** means the price after the factors of a non-firm price and all unconditional discounts that can be utilized have been taken into consideration;
- (g) **“consortium or joint venture”** means an association of persons for the purpose of combining their expertise, property, capital, efforts, skill and knowledge in an activity for the execution of a contract;
- (h) **“contract”** means the agreement that results from the acceptance of a bid by an organ of state;
- (i) **“EME”** means an Exempted Micro Enterprise as defines by Codes of Good Practice under section 9 (1) of the Broad-Based Black Economic Empowerment Act, 2003 (Act No. 53 of 2003);
- (j) **“Firm price”** means the price that is only subject to adjustments in accordance with the actual increase or decrease resulting from the change, imposition, or abolition of customs or excise duty and any other duty, levy, or tax, which, in terms of the law or regulation, is binding on the contractor and demonstrably has an influence on the price of any supplies, or the rendering costs of any service, for the execution of the contract;
- (k) **“functionality”** means the measurement according to predetermined norms, as set out in the bid documents, of a service or commodity that is designed to be practical and useful, working or operating, taking into account, among other factors, the quality, reliability, viability and durability of a service and the technical capacity and ability of a bidder;
- (l) **“non-firm prices”** means all prices other than “firm” prices;
- (m) **“person”** includes a juristic person;
- (n) **“QSE”** means a Qualifying Small Enterprise as defines by Codes of Good Practice under

section 9 (1) of the Broad-Based Black Economic Empowerment Act, 2003 (Act No. 53 of 2003);

- (o) **“rand value”** means the total estimated value of a contract in South African currency, calculated at the time of bid invitations, and includes all applicable taxes and excise duties;
- (p) **“sub-contract”** means the primary contractor’s assigning, leasing, making out work to, or employing, another person to support such primary contractor in the execution of part of a project in terms of the contract;
- (q) **“total revenue”** bears the same meaning assigned to this expression in the Codes of Good Practice on Black Economic Empowerment, issued in terms of section 9(1) of the Broad-Based Black Economic Empowerment Act and promulgated in the *Government Gazette* on 9 February 2007;
- (r) **“trust”** means the arrangement through which the property of one person is made over or bequeathed to a trustee to administer such property for the benefit of another person; and
- (s) **“trustee”** means any person, including the founder of a trust, to whom property is bequeathed in order for such property to be administered for the benefit of another person.

3. ADJUDICATION USING A POINT SYSTEM

- 3.1 The bidder obtaining the highest number of total points will be awarded the contract.
- 3.2 Preference points shall be calculated after prices have been brought to a comparative basis taking into account all factors of non-firm prices and all unconditional discounts;.
- 3.3 Points scored must be rounded off to the nearest 2 decimal places.
- 3.4 In the event that two or more bids have scored equal total points, the successful bid must be the one scoring the highest number of preference points for B-BBEE.
- 3.5 However, when functionality is part of the evaluation process and two or more bids have scored equal points including equal preference points for B-BBEE, the successful bid must be the one scoring the highest score for functionality.
- 3.6 Should two or more bids be equal in all respects, the award shall be decided by the drawing of lots.

4. POINTS AWARDED FOR PRICE

4.1 THE 80/20 OR 90/10 PREFERENCE POINT SYSTEMS

A maximum of 80 or 90 points is allocated for price on the following basis:

80/20 or 90/10

$$P_s = 80 \left(1 - \frac{P_t - P_{\min}}{P_{\min}} \right) \quad \text{or} \quad P_s = 90 \left(1 - \frac{P_t - P_{\min}}{P_{\min}} \right)$$

Where

P_s = Points scored for comparative price of bid under consideration

P_t = Comparative price of bid under consideration

Pmin = Comparative price of lowest acceptable bid

5. Points awarded for B-BBEE Status Level of Contribution

5.1 In terms of Regulation 6(2) and /or 7(2), of the Preferential Procurement Regulations, preference points must be awarded to a bidder for attaining the B-BBEE status level of contribution in accordance with the table below:

B-BBEE Status Level of Contributor	Number of points (90/10 system)	Number of points (80/20 system)
1	10	20
2	9	18
3	6	14
4	5	12
5	4	8
6	3	6
7	2	4
8	1	2
Non-compliant contributor	0	0

- 5.2 A trust, consortium or joint venture, will qualify for points for their B-BBEE status level as a legal entity, provided that the entity submits their B-BBEE status level certificate.
- 5.3 A trust, consortium or joint venture will qualify for points for their B-BBEE status level as an unincorporated entity, provided that the entity submits their consolidated B-BBEE scorecard as if they were a group structure and that such a consolidated B-BBEE scorecard is prepared for every separate bid.
- 5.4 Tertiary institutions and public entities will be required to submit their B-BBEE status level certificates in terms of the specialized scorecard contained in the B-BBEE Codes of Good Practice.
- 5.5 A person awarded a contract may not sub-contract more than 25% of the value of the contract to any other enterprise that does not have an equal or higher B-BBEE status level than the person concerned, unless the contract is sub-contracted to an EME that has the capability and ability to execute the sub-contract.

6. BID DECLARATION

6.1 Bidders who claim points in respect of B-BBEE Status Level of Contribution must complete the following:

7. B-BBEE STATUS LEVEL OF CONTRIBUTION CLAIMED IN TERMS OF PARAGRAPHS 1.3.1.2 AND 5.1

7.1 B-BBEE Status Level of Contribution: =(maximum of 10 or 20 points)

(Points claimed in respect of paragraph 7.1 must be in accordance with the table reflected in paragraph 5.1 and must be substantiated by means of a B-BBEE certificate issued by a Verification Agency accredited by SANAS or Sworn Affidavit for EME's and QSE's.

8 SUB-CONTRACTING (relates to 5.5)

8.1 Will any portion of the contract be sub-contracted? YES / NO (delete which is not applicable)

8.1.1 If yes, indicate:

- (i) what percentage of the contract will be subcontracted?%
- (ii) the name of the sub-contractor?
- (iii) the B-BBEE status level of the sub-contractor?
- (iv) whether the sub-contractor is an EME/ a QSE YES / NO (delete which is not applicable)

Designated Group: An EME or QSE which is at last 51% owned by:	EME √	QSE √
Black people		
Black people who are youth		
Black people who are women		
Black people with disabilities		
Black people living in rural or underdeveloped areas or townships		
Cooperative owned by black people		
Black people who are military veterans		
OR		
Any EME		
Any QSE		

9 DECLARATION WITH REGARD TO COMPANY/FIRM

9.1 Name of company/firm

9.2 VAT registration number

9.3 Company registration number

- 9.4 TYPE OF COMPANY/ FIRM
- Partnership/Joint Venture / Consortium
 - One person business/sole propriety
 - Close corporation
 - Company
 - (Pty) Limited

[TICK APPLICABLE BOX]

9.5 DESCRIBE PRINCIPAL BUSINESS ACTIVITIES

.....

9.6 COMPANY CLASSIFICATION

- Manufacturer
- Supplier
- Professional service provider
- Other service providers, e.g. transporter, etc.

[TICK APPLICABLE BOX]

9.7 Total number of years the company/firm has been in business?

9.8 I/we, the undersigned, who is / are duly authorised to do so on behalf of the company/firm, certify that the points claimed, based on the B-BBE status level of contribution indicated in paragraph 7 of the foregoing certificate/ Sworn Affidavit, qualifies the company/ firm for the preference(s) shown and I / we acknowledge that:

- (i) The information furnished is true and correct;
- (ii) The preference points claimed are in accordance with the General Conditions as indicated in paragraph 1 of this form.
- (iii) In the event of a contract being awarded as a result of points claimed as shown in paragraph 7, the contractor may be required to furnish documentary proof to the satisfaction of the purchaser that the claims are correct;
- (iv) If the B-BBEE status level of contribution has been claimed or obtained on a fraudulent basis or any of the conditions of contract have not been fulfilled, the purchaser may, in addition to any other remedy it may have –
 - (a) Disqualify the person from the bidding process;
 - (b) Recover costs, losses or damages it has incurred or suffered as a result of that person's conduct;
 - (c) Cancel the contract and claim any damages which it has suffered as a result of having to make less favourable arrangements due to such cancellation;
 - (d) restrict the bidder or contractor, its shareholders and directors, or only the shareholders and directors who acted on a fraudulent basis, from obtaining business from any organ of state for a period not exceeding 10 years, after the audi alteram partem (hear the other side) rule has been applied; and
 - (e) forward the matter for criminal prosecution

WITNESSES:

- 1.
- 2.

.....

SIGNATURE(S) OF BIDDER(S)

DATE:..... ADDRESS:.....

.....

PA- 40: DECLARATION OF DESIGNATED GROUPS FOR PREFERENTIAL PROCUREMENT

Tender no: *CW 08/2022*

Name of Tenderer

EME¹ QSE² Non EME/QSE (tick applicable box)

1. LIST ALL PROPRIETORS, MEMBERS OR SHAREHOLDERS BY NAME, IDENTITY NUMBER, CITIZENSHIP AND DESIGNATED GROUPS.

Name and Surname #	Identity/ Passport number and Citizenship##	Percentage owned	Black	Indicate if youth	Indicate if woman	Indicate if person with disability	Indicate if living in Rural (R) / Under Developed Area (UD) / Township (T) / Urban (U).	Indicate if military veteran
1.		%	<input type="checkbox"/> Yes <input type="checkbox"/> No	<input type="checkbox"/> Yes <input type="checkbox"/> No	<input type="checkbox"/> Yes <input type="checkbox"/> No	<input type="checkbox"/> Yes <input type="checkbox"/> No	<input type="checkbox"/> R <input type="checkbox"/> UD <input type="checkbox"/> T <input type="checkbox"/> U	<input type="checkbox"/> Yes <input type="checkbox"/> No
2.		%	<input type="checkbox"/> Yes <input type="checkbox"/> No	<input type="checkbox"/> Yes <input type="checkbox"/> No	<input type="checkbox"/> Yes <input type="checkbox"/> No	<input type="checkbox"/> Yes <input type="checkbox"/> No	<input type="checkbox"/> R <input type="checkbox"/> UD <input type="checkbox"/> T <input type="checkbox"/> U	<input type="checkbox"/> Yes <input type="checkbox"/> No
3.		%	<input type="checkbox"/> Yes <input type="checkbox"/> No	<input type="checkbox"/> Yes <input type="checkbox"/> No	<input type="checkbox"/> Yes <input type="checkbox"/> No	<input type="checkbox"/> Yes <input type="checkbox"/> No	<input type="checkbox"/> R <input type="checkbox"/> UD <input type="checkbox"/> T <input type="checkbox"/> U	<input type="checkbox"/> Yes <input type="checkbox"/> No
4.		%	<input type="checkbox"/> Yes <input type="checkbox"/> No	<input type="checkbox"/> Yes <input type="checkbox"/> No	<input type="checkbox"/> Yes <input type="checkbox"/> No	<input type="checkbox"/> Yes <input type="checkbox"/> No	<input type="checkbox"/> R <input type="checkbox"/> UD <input type="checkbox"/> T <input type="checkbox"/> U	<input type="checkbox"/> Yes <input type="checkbox"/> No
5.		%	<input type="checkbox"/> Yes <input type="checkbox"/> No	<input type="checkbox"/> Yes <input type="checkbox"/> No	<input type="checkbox"/> Yes <input type="checkbox"/> No	<input type="checkbox"/> Yes <input type="checkbox"/> No	<input type="checkbox"/> R <input type="checkbox"/> UD <input type="checkbox"/> T <input type="checkbox"/> U	<input type="checkbox"/> Yes <input type="checkbox"/> No
6.		%	<input type="checkbox"/> Yes <input type="checkbox"/> No	<input type="checkbox"/> Yes <input type="checkbox"/> No	<input type="checkbox"/> Yes <input type="checkbox"/> No	<input type="checkbox"/> Yes <input type="checkbox"/> No	<input type="checkbox"/> R <input type="checkbox"/> UD <input type="checkbox"/> T <input type="checkbox"/> U	<input type="checkbox"/> Yes <input type="checkbox"/> No
7.		%	<input type="checkbox"/> Yes <input type="checkbox"/> No	<input type="checkbox"/> Yes <input type="checkbox"/> No	<input type="checkbox"/> Yes <input type="checkbox"/> No	<input type="checkbox"/> Yes <input type="checkbox"/> No	<input type="checkbox"/> R <input type="checkbox"/> UD <input type="checkbox"/> T <input type="checkbox"/> U	<input type="checkbox"/> Yes <input type="checkbox"/> No
8.		%	<input type="checkbox"/> Yes <input type="checkbox"/> No	<input type="checkbox"/> Yes <input type="checkbox"/> No	<input type="checkbox"/> Yes <input type="checkbox"/> No	<input type="checkbox"/> Yes <input type="checkbox"/> No	<input type="checkbox"/> R <input type="checkbox"/> UD <input type="checkbox"/> T <input type="checkbox"/> U	<input type="checkbox"/> Yes <input type="checkbox"/> No
9.		%	<input type="checkbox"/> Yes <input type="checkbox"/> No	<input type="checkbox"/> Yes <input type="checkbox"/> No	<input type="checkbox"/> Yes <input type="checkbox"/> No	<input type="checkbox"/> Yes <input type="checkbox"/> No	<input type="checkbox"/> R <input type="checkbox"/> UD <input type="checkbox"/> T <input type="checkbox"/> U	<input type="checkbox"/> Yes <input type="checkbox"/> No
10.		%	<input type="checkbox"/> Yes <input type="checkbox"/> No	<input type="checkbox"/> Yes <input type="checkbox"/> No	<input type="checkbox"/> Yes <input type="checkbox"/> No	<input type="checkbox"/> Yes <input type="checkbox"/> No	<input type="checkbox"/> R <input type="checkbox"/> UD <input type="checkbox"/> T <input type="checkbox"/> U	<input type="checkbox"/> Yes <input type="checkbox"/> No
11.		%	<input type="checkbox"/> Yes <input type="checkbox"/> No	<input type="checkbox"/> Yes <input type="checkbox"/> No	<input type="checkbox"/> Yes <input type="checkbox"/> No	<input type="checkbox"/> Yes <input type="checkbox"/> No	<input type="checkbox"/> R <input type="checkbox"/> UD <input type="checkbox"/> T <input type="checkbox"/> U	<input type="checkbox"/> Yes <input type="checkbox"/> No
12.		%	<input type="checkbox"/> Yes <input type="checkbox"/> No	<input type="checkbox"/> Yes <input type="checkbox"/> No	<input type="checkbox"/> Yes <input type="checkbox"/> No	<input type="checkbox"/> Yes <input type="checkbox"/> No	<input type="checkbox"/> R <input type="checkbox"/> UD <input type="checkbox"/> T <input type="checkbox"/> U	<input type="checkbox"/> Yes <input type="checkbox"/> No

Where Owners are themselves a Company, Close Corporation, Partnership etc, identify the ownership of the Holding Company, together with Registration number
State date of South African citizenship obtained (not applicable to persons born in South Africa)

¹ EME: Exempted Micro Enterprise
² QSE: Qualifying Small Business Enterprise

PA- 40: DECLARATION OF DESIGNATED GROUPS FOR PREFERENTIAL PROCUREMENT

Tender no:

2. DECLARATION:

The undersigned, who warrants that he/she is duly authorized to do so on behalf of the Tenderer, hereby confirms that:

- 1 The information and particulars contained in this Affidavit are true and correct in all respects;
- 2 The Broad-based Black Economic Empowerment Act, 2003 (Act 53 of 2003), Preferential Procurement Policy Framework Act, 2000 (Act 5 of 2000), the Preferential Procurement Regulations, 2017, National Small Business Act 102 of 1996 as amended and all documents pertaining to this Tender were studied and understood and that the above form was completed according to the definitions and information contained in said documents;
- 3 The Tenderer understands that any intentional misrepresentation or fraudulent information provided herein shall disqualify the Tenderer's offer herein, as well as any other tender offer(s) of the Tenderer simultaneously being evaluated, or will entitle the Employer to cancel any Contract resulting from the Tenderer's offer herein;
- 4 The Tenderer accepts that the Employer may exercise any other remedy it may have in law and in the Contract, including a claim for damages for having to accept a less favourable tender as a result of any such disqualification due to misrepresentation or fraudulent information provided herein;
- 5 Any further documentary proof required by the Employer regarding the information provided herein, will be submitted to the Employer within the time period as may be set by the latter;

Signed by the Tenderer

Name of representative	Signature
	Date

DPW-07 (EC): FORM OF OFFER AND ACCEPTANCE

Project title:	Warrenton SAPS: Installation of security gates		
Tender / Quotation no:	CW 08 / 2022	Reference no:	055856

OFFER

The Employer, identified in the acceptance signature block, has solicited offers to enter into a contract for the procurement of:
Installation of security gates

The Tenderer, identified in the offer signature block, has examined the documents listed in the tender data and addenda thereto as listed in the returnable schedules, and by submitting this offer has accepted the conditions of tender.

By the representative of the Tenderer, deemed to be duly authorized, signing this part of this form of offer and acceptance, the Tenderer offers to perform all of the obligations and liabilities of the Contractor under the contract including compliance with all its terms and conditions according to their true intent and meaning for an amount to be determined in accordance with the conditions of contract identified in the contract data.

THE TOTAL OFFER INCLUSIVE OF ALL APPLICABLE TAXES (All applicable taxes" includes value- added tax, pay as you earn, income tax, unemployment insurance fund contributions and skills development levies) IS:

Rand (in words):
Rand in figures:	R

The amount in words takes precedence over the amount in figures. The award of the tender may be subjected to further price negotiation with the preferred tenderer(s). The negotiated and agreed price will be considered for acceptance as ***a firm and final offer.***

This offer may be accepted by the Employer by signing the acceptance part of this form of offer and acceptance and returning one copy of this document to the Tenderer before the end of the period of validity stated in the tender data, whereupon the Tenderer becomes the party named as the Contractor in the conditions of contract identified in the contract data.

THIS OFFER IS MADE BY THE FOLLOWING LEGAL ENTITY: (cross out block which is not applicable)

Company or Close Corporation:
.....
.....
And: Whose Registration Number is:
.....
And: Whose Income Tax Reference Number is:
.....
CSD supplier number:.....

OR

Natural Person or Partnership:
.....
.....
Whose Identity Number(s) is/are:
.....
Whose Income Tax Reference Number is/are:
.....
CSD supplier number:.....

*Any reference to words "Bid" or "Bidder" herein and/or in any other documentation shall be construed to have the same meaning as the words "Tender" or "Tenderer".

**Any reference to the words "payment reduction" herein shall be construed to have the same meaning as the word "retention"

Tender / Quotation no:

AND WHO IS (if applicable):	
Trading under the name and style of:	
AND WHO IS:	
Represented herein, and who is duly authorised to do so, by: Mr/Mrs/Ms: In his/her capacity as:	Note: A Resolution / Power of Attorney, signed by all the Directors / Members / Partners of the Legal Entity must accompany this Offer, authorising the Representative to make this offer.

SIGNED FOR THE TENDERER:

Name of representative	Signature	Date

WITNESSED BY:

Name of witness	Signature	Date

This Offer is in respect of: (Please indicate with an "X" in the appropriate block)

- The official documents
- The official alternative
- Own alternative (only if documentation makes provision therefore)

(N.B.: Separate Offer and Acceptance forms are to be completed for the main and for each alternative offer)

SECURITY OFFERED:

- (a) the Tenderer accepts that in respect of contracts up to R1 million, a payment reduction** of 5% of the contact value (excluding VAT) will be applicable and will be deducted by the Employer in terms of the applicable conditions of contract
- (b) in respect of contracts above R1 million, the Tenderer offers to provide security as indicated below:
 - (1) cash deposit of 10 % of the Contract Sum (excluding VAT) Yes No
 - (2) variable construction guarantee of 10 % of the Contract Sum (excluding VAT) Yes No
 - (3) payment reduction of 10% of the value certified in the payment certificate (excluding VAT) Yes No
 - (4) cash deposit of 5% of the Contract Sum (excluding VAT) and a payment reduction of 5% of the value certified in the payment certificate (excluding VAT) Yes No
 - (5) fixed construction guarantee of 5% of the Contract Sum (excluding VAT) and a payment reduction of 5% of the value certified in the payment certificate (excluding VAT) Yes No

NB. Guarantees submitted must be issued by either an insurance company duly registered in terms of the Insurance Act [Long-Term Insurance Act, 1998 (Act 52 of 1998) or Short-Term Insurance Act, 1998 (Act 35 of 1998)] or by a bank duly registered in terms of the Banks Act, 1990 (Act 94 of 1990) on the pro-forma referred to above. No alterations or amendments of the wording of the pro-forma will be accepted.

*Any reference to words "Bid" or "Bidder" herein and/or in any other documentation shall be construed to have the same meaning as the words "Tender" or "Tenderer".

**Any reference to the words "payment reduction" herein shall be construed to have the same meaning as the word "retention"

Tender / Quotation no:

The Tenderer elects as its *domicilium citandi et executandi* in the Republic of South Africa, where any and all legal notices may be served, as (physical address):

.....

Other Contact Details of the Tenderer are:

Telephone No..... Cellular Phone No.

Fax No

Postal address

Banker Branch.....

Registration No of Tenderer at Department of Labour

CIDB Registration Number:

ACCEPTANCE

By signing this part of this form of offer and acceptance, the Employer identified below accepts the Tenderer's offer. In consideration thereof, the Employer shall pay the Contractor the amount due in accordance with the conditions of contract identified in the contract data. Acceptance of the Tenderer's offer shall form an agreement between the Employer and the Tenderer upon the terms and conditions contained in this agreement and in the contract that is the subject of this agreement.

The terms of the contract are contained in:

- Part C1 Agreement and contract data, (which includes this agreement)
- Part C2 Pricing data
- Part C3 Scope of work
- Part C4 Site information and drawings and documents or parts thereof, which may be incorporated by reference into the above listed Parts.

Deviations from and amendments to the documents listed in the tender data and any addenda thereto as listed in the tender schedules as well as any changes to the terms of the offer agreed by the Tenderer and the Employer during this process of offer and acceptance, are contained in the schedule of deviations attached to and forming part of this agreement. No amendments to or deviations from said documents are valid unless contained in this schedule.

The Tenderer shall within two weeks after receiving a completed copy of this agreement, including the schedule of deviations (if any), contact the Employer's agent (whose details are given in the contract data) to arrange the delivery of any securities, bonds, guarantees, proof of insurance and any other documentation to be provided in terms of the conditions of contract identified in the contract data. Failure to fulfil any of these obligations in accordance with those terms shall constitute a repudiation of this agreement.

Notwithstanding anything contained herein, this agreement comes into effect on the date when the tenderer receives one fully completed original copy of this document, including the schedule of deviations (if any). Unless the tenderer (now contractor) within five (5) working days of the date of such receipt notifies the employer in writing of any reason why he/she cannot accept the contents of this agreement, this agreement shall constitute a binding contract between the parties.

For the Employer:

Name of signatory	Signature	Date

*Any reference to words "Bid" or "Bidder" herein and/or in any other documentation shall be construed to have the same meaning as the words "Tender" or "Tenderer".

**Any reference to the words "payment reduction" herein shall be construed to have the same meaning as the word "retention"

Tender / Quotation no:

Name of Organisation:	Department of Public Works and Infrastructure
Address of Organisation:	

WITNESSED BY:

Name of witness	Signature	Date

Schedule of Deviations

1.1.1. Subject:
Detail:
1.1.2. Subject:
Detail:
1.1.3. Subject:
Detail:
1.1.4. Subject:
Detail:
1.1.5. Subject:
Detail:
1.1.6. Subject:
Detail:

By the duly authorised representatives signing this agreement, the Employer and the Tenderer agree to and accept the foregoing schedule of deviations as the only deviations from and amendments to the documents listed in the tender data and addenda thereto as listed in the tender schedules, as well as any confirmation, clarification or changes to the terms of the offer agreed by the Tenderer and the Employer during this process of offer and acceptance.

It is expressly agreed that no other matter whether in writing, oral communication or implied during the period between the issue of the tender documents and the receipt by the Tenderer of a completed signed copy of this Agreement shall have any meaning or effect in the contract between the parties arising from this agreement.

*Any reference to words "Bid" or "Bidder" herein and/or in any other documentation shall be construed to have the same meaning as the words "Tender" or "Tenderer".

**Any reference to the words "payment reduction" herein shall be construed to have the same meaning as the word "retention"
For Internal & External Use

DPW-09 (EC): PARTICULARS OF TENDERER'S PROJECTS

Project title:	Warrenton SAPS: Installation of Security Gates		
Tender / quotation no:	<i>CW 08/2022</i>	Closing date:	dd/mm/yyyy <i>30/08/2022</i>
Advertising date:	dd/mm/yyyy	Validity period:	30 days

1. PARTICULARS OF THE TENDERER'S CURRENT AND PREVIOUS COMMITMENTS

1.1. Current projects

Projects currently engaged in	Name of Employer or Representative of Employer	Contact tel. no.	Contract sum	Contractual commencement date	Contractual completion date	Current percentage progress
1						
2						
3						
4						
5						
6						

7									
8									

Any reference to words "Bid" or Bidder" herein and/or in any other documentation shall be construed to have the same meaning as the words "Tender" or "Tenderer".
 For Internal & External Use

Page 1 of 2
 Version: 2021/01

Effective date 21 September 2021



Department:
 Public Works and Infrastructure
 REPUBLIC OF SOUTH AFRICA

Tender / Quotation No.:

DPW-09 (EC): Particulars of tenderer's projects

1.2. Completed projects

Projects completed in the previous 5 (five) years	Name of Employer or Representative of Employer	Contact tel. no.	Contract sum	Contractual commencement date	Contractual completion date	Date of Certificate of Practical Completion
1						
2						
3						
4						
5						
6						

7									
8									
9									

Name of Tenderer	Signature	Date

Any reference to words "Bid" or Bidder" herein and/or in any other documentation shall be construed to have the same meaning as the words "Tender" or "Tenderer".
 Effective date 21 September 21 September 2021
 For Internal & External Use

DPW-04 (EC): CONTRACT DATA: JBCC PRINCIPAL BUILDING AGREEMENT (Edition 6.2 of May 2018)

Project title:	Warrento SAPS: Installation of security gates
-----------------------	---

Tender / Quotation no:	CW 08/2022	WCS no:	055856	Reference no:	19/2/4/2/2/2454/24
-------------------------------	------------	----------------	--------	----------------------	--------------------

	<p>The Conditions of Contract are clauses 1 to 30 of the JBCC® Principal Building Agreement (Edition 6.2 of May 2018) prepared by the Joint Building Contracts Committee.</p> <p>Contractors are cautioned to read the JBCC PBA and Contract Data (DPW-04 (EC)) together as some clauses in the JBCC PBA have been amended in the Contract Data (DPW-04 (EC)).</p> <p>Copies of these conditions of contract may be obtained through most regional offices of the Association of South African Quantity Surveyors, Master Builders Association, South African Association of Consulting Engineers, South African Institute of Architects, Association of Construction Project Managers, Building Industries Federation South Africa, South African Property Owners Association or Specialist Engineering Contractors Committee.</p> <p>Bidders to note that materials procured for the works should be from South African manufactures and suppliers. Imported materials shall only be considered under exceptional circumstances, based on compelling technical justifications, and subject to the approval by the NDPWI.</p>
	<p>CONTRACT VARIABLES</p> <p>THE SCHEDULE</p> <p>The schedule is the listed variables in this agreement and contains all variables referred to in this document including specific changes made to JBCC® documentation. It is divided into part 1: contract data completed by the employer and part 2: contract data completed by the tenderer. Part 1 must be completed in full and included in the tender documents. Both the part 1 and part 2 form part of this agreement.</p> <p>Spaces requiring information must be filled in, shown as 'not applicable' or deleted but not left blank. Where choices are offered, the non-applicable items are to be deleted. Where insufficient space is provided the information should be annexed hereto and cross referenced to the applicable clause of the schedule. Reference to clause numbers in the JBCC Principal Building Agreement are shown in [square brackets] in this contract data e.g. [3.1].</p>

PART 1: CONTRACT DATA COMPLETED BY THE EMPLOYER:

A PROJECT INFORMATION

A 1.0 Works [1.1]

Works description	Refer to document PG01.2 (EC) – Scope of Works for detailed description

Tender / Quotation no:

A 2.0 Site [1.1]

Erf / stand number	
Site address	
Township / Suburb	
City / Town	
Province	
Local authority	
GPS Coordinates	

A 3.0 EMPLOYER AND ITS REPRESENTATIVE

A 3.1 Employer:

Official Name of Organ of State / Public Sector Body	Government of the Republic of South Africa in its Department of Public Works & Infrastructure		
Business registration number	Not applicable	VAT number	Not applicable
E-mail		Telephone	
Postal address	insert postal address insert suburb insert town insert postal code		
Physical address	insert physical address insert suburb insert town insert postal code		

A 3.2 Employer's representative:

Name	Lerato Sebopetja	Telephone number	053 838 5347
E-mail	Lerato.Sebopetja@dpw.gov.za	Mobile number	082 806 0387
Postal address	Private Bag X5002 Kimberley Kimberley 8300		
Physical address	21-23 Market Square, Old Magistrate Building Kimberley Kimberley 8300		

Any reference to words "Bid" or Bidder" herein and/or in any other documentation shall be construed to have the same meaning as the words "Tender" or "Tenderer".

Tender / Quotation no:

A 4.0	Principal Agent [1.1; 6.2]	Discipline	
--------------	-----------------------------------	-------------------	--

Name			
Legal entity of above		Contact person	
Practice number		Telephone number	
Country		Mobile number	
E-mail			
Postal address	insert postal address insert suburb insert town insert postal code		
Physical address	insert physical address insert suburb insert town insert postal code		

A 5.0	Agent [1.1; 6.2]	Discipline	
--------------	-------------------------	-------------------	--

Name			
Legal entity of above		Contact person	
Practice number		Telephone number	
Country		Mobile number	
E-mail			
Postal address	insert postal address insert suburb insert town insert postal code		
Physical address	insert physical address insert suburb insert town insert postal code		

A 6.0	Agent [1.1; 6.2]	Discipline	
--------------	-------------------------	-------------------	--

Name			
Legal entity of above		Contact person	
Practice number		Telephone number	
Country		Mobile number	
E-mail			
Postal address	insert postal address insert suburb insert town insert postal code		
Physical address	insert physical address insert suburb insert town insert postal code		

Tender / Quotation no:

A 7.0	Agent [1.1; 6.2]	Discipline	
--------------	-------------------------	-------------------	--

Name			
Legal entity of above		Contact person	
Practice number		Telephone number	
Country		Mobile number	
E-mail			
Postal address	insert postal address insert suburb insert town insert postal code		
Physical address	insert physical address insert suburb insert town insert postal code		

A 8.0	Agent [1.1; 6.2]	Discipline	
--------------	-------------------------	-------------------	--

Name			
Legal entity of above		Contact person	
Practice number		Telephone number	
Country		Mobile number	
E-mail			
Postal address	insert postal address insert suburb insert town insert postal code		
Physical address	insert physical address insert suburb insert town insert postal code		

A 9.0	Agent [1.1; 6.2]	Discipline	
--------------	-------------------------	-------------------	--

Name			
Legal entity of above		Contact person	
Practice number		Telephone number	
Country		Mobile number	
E-mail			
Postal address	insert postal address insert suburb insert town insert postal code		
Physical address	insert physical address insert suburb insert town insert postal code		

Any reference to words "Bid" or Bidder" herein and/or in any other documentation shall be construed to have the same meaning as the words "Tender" or "Tenderer".

Tender / Quotation no:

A 10.0	Agent [1.1; 6.2]	Discipline	
---------------	-------------------------	-------------------	--

Name			
Legal entity of above		Contact person	
Practice number		Telephone number	
Country		Mobile number	
E-mail			
Postal address	insert postal address insert suburb insert town insert postal code		
Physical address	insert physical address insert suburb insert town insert postal code		

A 11.0	Agent [1.1; 6.2]	Discipline	
---------------	-------------------------	-------------------	--

Name			
Legal entity of above		Contact person	
Practice number		Telephone number	
Country		Mobile number	
E-mail			
Postal address	insert postal address insert suburb insert town insert postal code		
Physical address	insert physical address insert suburb insert town insert postal code		

A 12.0	Agent [1.1; 6.2]	Discipline	
---------------	-------------------------	-------------------	--

Name			
Legal entity of above		Contact person	
Practice number		Telephone number	
Country		Mobile number	
E-mail			
Postal address	insert postal address insert suburb insert town insert postal code		
Physical address	insert physical address insert suburb insert town insert postal code		

Any reference to words "Bid" or Bidder" herein and/or in any other documentation shall be construed to have the same meaning as the words "Tender" or "Tenderer".

Tender / Quotation no:

B CONTRACT INFORMATION

B 1.0 Definitions [1.1]

Bills of quantities: System/Method of measurement	Standard system of measurement of building works 7 th edition
---	--

B 2.0 Law, regulations and notices [2.0]

Law applicable to the works, state country [2.1]	Law of the Republic of South Africa
--	-------------------------------------

B 3.0 Offer and acceptance [3.0]

Currency applicable to this agreement [3.2]	South African Rand
---	--------------------

B 4.0 Documents [5.0]

The original signed agreement is to be held by the principal agent [5.2], if not, indicate by whom	Employer
Number of copies of construction information issued to the contractor at no cost [5.6]	3

Documents comprising the agreement	Page numbers
The JBCC® Principal Building Agreement, Edition 6.2 May 2018	1 to 30
DPW-04 (EC): CONTRACT DATA: JBCC PRINCIPAL BUILDING AGREEMENT (Edition 6.2 of May 2018)	1 to 31
The JBCC® General Preliminaries for use with the JBCC® Principal Building Agreement, Edition 6.2 May 2018	
Drawings as per drawing register issued with the tender	
Specifications issued with the tender	
Schedules issued with the tender	
Bills of Quantities issued with the tender	
Addenda as issued during tender stage, if applicable	As issued

B 5.0 Employer's agents [6.0]

Authority is delegated to the following agents to issue contract instructions and perform duties for specific aspects of the works [6.2] [6.7 [CD]]	Principal Agent
Principal agent's and agents' interest or involvement in the works other than a professional interest [6.3]	

Tender / Quotation no:

B 6.0 Insurances [10.0]

Insurances by contractor			Amount including VAT
NB: Insurances submitted must be issued by either an insurance company duly registered in terms of the Insurance Act [Long-Term Insurance Act, 1998 (Act 52 of 1998) or Short-Term Insurance Act, 1998 (Act 53 of 1998)] or by a bank duly registered in terms of the Banks Act, 1990 (Act 94 of 1990).			
	New works [10.1.1] (contract sum or amount)	Select	R
Or	Works with practical completion in sections [10.2] (contract sum or amount)	Select	R
Or	Works with alterations and additions [10.3] (reinstatement value of existing structures with or including new works)	Select	R
	Direct contractors [10.1.1; 10.2] where applicable, to be included in the contract works insurance	Select	R
	Free issue [10.1.1; 10.2] where applicable, to be included in the contract works insurance	Select	R
	Escalation, professional fees and reinstatement costs if not included above	Select	R
Total of the above contract works insurance amount			R
	Supplementary insurance [10.1.2; 10.2]	Select	R
	Public liability insurance [10.1.3; 10.2]	Select	R
	Removal of lateral support insurance [10.1.4; 10.2]	Select	R
Other insurances [10.1.5]			
	Hi Risk Insurance Refer B18.0 [10.1.5.1]	Select	R
	Other insurances: If applicable, description 1:	Select	R
	Other insurances; If applicable, description 2:	Select	R

Any reference to words "Bid" or Bidder" herein and/or in any other documentation shall be construed to have the same meaning as the words "Tender" or "Tenderer".

Tender / Quotation no:

B 7.0 Obligations of the employer [12.1]

Existing premises will be in use and occupied [12.1.2]	Applicable
If applicable, description:	
Restriction of working hours [12.1.2]	Select
If applicable, description:	
Natural features and known services to be preserved by the contractor [12.1.3]	Select
If applicable, description:	
Restrictions to the site or areas that the contractor may not occupy [12.1.4]	Select
If applicable, description:	
Supply of free issue of material and goods [12.1.10]	Select
If applicable, description:	

B 8.0 Appointment of Nominated Subcontractors [14.0]

Select	If applicable, description of specialisation
Specialisation 1	
Specialisation 2	
Specialisation 3	
Specialisation 4	
Specialisation 5	

B 9.0 Appointment of Selected Subcontractors [15.0]

Select	If applicable, description of specialisation
Specialisation 1	
Specialisation 2	
Specialisation 3	
Specialisation 4	
Specialisation 5	

Tender / Quotation no:

B 10.0 Appointment of Direct Contractors [16.0]

Select	If applicable, description of extent of work [12.1.11]
Extent of work	
Extent of work	
Extent of work	
Extent of work	
Extent of work	

B 11.0 Works to be completed in sections [20.1]

Select	If applicable, description of sections
Section 1	
Section 2	
Section 3	
Section 4	
Section 5	
Section 6	
Remainder of the works.	

B 12.0 Contract period [B18: 1.2], Construction period [B18: 1.1], Possession of site [12.1.5], Practical Completion [19.0; 20.0], Works Completion Refer B18.0 [19.8], Final Completion [21] and Penalties [24.0]

B12.1 Contract Period

Contract period [B18: 1.2]: Period in months as indicated, include time for submitting contractual obligatory documents, submission of Health & Safety Plan and approval, period for obtaining the Construction Permit (if applicable), the Construction Period and the Defect Liability Period up to and including Final Completion	
The contract period is determined as follows (Period/s indicated in months):	
Period to submit contractual obligatory documents including submission and approval of health and safety plan by the appointed Health & Safety Agent	

Any reference to words "Bid" or Bidder" herein and/or in any other documentation shall be construed to have the same meaning as the words "Tender" or "Tenderer".

Tender / Quotation no:

Period to obtain Construction Permit from Department of Labour upon approval of the Health & Safety Plan by the appointed Health & Safety Agent	
Total construction period for the Works as a whole up to and including Practical Completion, as indicated below [24.1]	B12.2 ? B12.3 ?
Period to achieve Works Completion Refer B18.0 [19.8]	3
Defect liability period up to and including Final Completion	3
Total Contract period [B18: 1.2]	6
Penalty amount per calendar day for late submission of contractual obligatory documents: Ten percent (10%) of the penalty amount per calendar day for late Practical Completion, excluding VAT. [24.1]	R

B12.2 Construction Period for completion of the Works as a whole

Construction period [B18: 1.2] and Practical Completion for the Works as a whole [19.0] The time for achieving Practical Completion of the whole of the Works is measured from the date of possession of the site by the contractor inclusive of all public holidays, special non-working days and builders' holiday shut down periods.	Select
The date for practical completion for the works as a whole shall be the period in months as indicated, starting from the date of possession of the site by the contractor inclusive of all special non-working days and builders' holiday shut down periods [12.2.7; 24.1]	B12.2 ?
Period for inspection in working days by the principal agent [19.3]	
Penalty amount per calendar day for late Practical Completion, excluding VAT. [24.1]	R 176.00
Penalty amount per calendar day for late Works Completion Refer B18.0 [19.8]: Thirty percent (30%) of penalty amount per calendar day for late Practical Completion, excluding VAT.	R 53.00
Penalty amount per calendar day for late Final Completion [21]: Fifteen percent (15%) of penalty amount per calendar day for late Practical Completion, excluding VAT.	R 27.00

B12.3 Construction Period for completion of the Works in portions

Construction period [B18: 1.1] and Practical completion for portions of the Works [20.0]	Select					
Portions of the Works in sections:	1	2	3	4	5	6
Period for inspection by the principal agent in working days [19.3]						
The date for practical completion shall be the period in months as indicated from the date of possession of the site by the contractor [12.2.7; 24.1]						

Tender / Quotation no:

The date for practical completion for the whole of the Works, if applicable shall be the period in months as indicated from the date of possession of the site by the contractor inclusive of all public holidays, special non-working days and builders' holiday shut down periods [12.2.7; 24.1]	B12.3 ?
Penalty for late Practical Completion, if completion in sections is required , excluding VAT	
The penalty amount per day for failing to complete section 1 of the Works is:	R
The penalty amount per day for failing to complete section 2 of the Works is:	R
The penalty amount per day for failing to complete section 3 of the Works is:	R
The penalty amount per day for failing to complete section 4 of the Works is:	R
The penalty amount per day for failing to complete section 5 of the Works is:	R
The penalty amount per day for failing to complete section 6 of the Works is:	R
The penalty amount per day for failing to complete the whole of the Works, if applicable, is:	R
Penalty amount per calendar day for late Works Completion Refer B18.0 [19.8]: To be calculated at Thirty percent (30%) of penalty / calendar day to complete Select , excluding VAT	
Penalty amount per calendar day for late Final Completion [21]: To be calculated at Fifteen percent (15%) of penalty / calendar day to complete Select , excluding VAT	

B 13.0 Criteria to achieve Practical Completion [19.0; 20.0]

Criteria to achieve Practical Completion not covered in the definition of practical completion	
13.1	Obtain Occupation Certificate from the relevant authority prior to issuing the Practical Completion certificate
13.2	All relevant CoCs
13.3	All guarantees
13.4	Training on electrical, security and mechanical installations if contractually required
13.5	Maintenance / operating manuals
13.6	CPG and cidb BUILD programme achievement certificates submitted with substantiating documentation
13.7	
13.8	
13.9	
13.10	

Tender / Quotation no:

B 14.0 Defects liability period [21.0]

Extended defects liability period: Refer B18.0 [21.13]

Select	If applicable, description of applicable elements
14.1	Emergency generator/s
14.2	Air conditioning system and plant
14.3	Security system/s (e.g. Access control, Intruder alarm, etc.)
14.4	Electrical equipment (e.g. Electric operated doors, Electric motors, etc.)
14.5	Lifts
14.6	Mechanical equipment (e.g. Fire detection, Fire suppression system, Kitchen equipment, etc.)
14.7	Civil works
14.8	Landscaping including automated systems (irrigation)
14.9	
14.10	

B 15.0 Payment [25.0]

Date of month for issue of regular payment certificates Refer B18.0 [25.2]	
Contract price adjustment / Cost fluctuations Refer [25.3.4; 26.9.5]	Select
If applicable, method to calculate	CPAP
Employer shall pay the contractor within: Refer B18.0 [25.10]	Thirty (30) calendar days

B 16.0 Dispute resolution [30.0]

Mediation	Applicable
Name of nominating body	Association of Arbitrators (Southern Africa)
Appointment of Mediator	State Attorney
Litigation	Court with Jurisdiction

Tender / Quotation no:

B 17.0 JBCC® General Preliminaries - selections

Provisional bills of quantities [P2.2]	Select	
Availability of construction information [P2.3]	Select	
Previous work - dimensional accuracy - details of previous contract(s) [P3.1]	Select	
Previous work - defects - details of previous contract(s) [P3.2]	Select	
Inspection of adjoining properties - details [P3.3]	Select	
Handover of site in stages - specific requirements [P4.1]	Select	
Enclosure of the works - specific requirements [P4.2]	Select	
Geotechnical and other investigations - specific requirements [P4.3]	Select	
Existing premises occupied - details [P4.5]	Select	
Services - known - specific requirements [P4.6]	Select	
Water [P8.1]	By contractor	Select
	By employer	Select
	By employer – metered	Select
Electricity [P8.2]	By contractor	Select
	By employer	Select
	By employer – metered	Select
Ablution and welfare facilities [P8.3]	By contractor	Select
	By employer	Select
Communication facilities - specific requirements [P8.4]	Select	
Protection of the works - specific requirements [P11.1]	Select	
Protection / isolation of existing works and works occupied in sections - specific requirements [P11.2]	Select	
Disturbance - specific requirements [P11.5]	Select	
Environmental disturbance - specific requirements [P11.6]	Select	

Tender / Quotation no:

B 18.0 SPECIFIC CHANGES MADE TO JBCC® DOCUMENTATION

[Details of changes made to the provisions of JBCC standard documentation]

1.2 Definitions

The following definitions replace corresponding definitions or are added to the definitions in the JBCC PRINCIPAL BUILDING AGREEMENT (Edition 6.2 of May 2018), whatever the case may be.

ADVERSE WEATHER CONDITIONS: Adverse weather and inclement weather has the same meaning and used interchangeably and means any weather conditions i.e.: Rain, wind, snow, frost, temperature (cold or heat) that are not in the norm for the area where the construction takes place and during which no work is possible on site.

AGREEMENT: The completed Form of Offer and Acceptance, the completed JBCC® Principal Building Agreement and contract data for organs of state and other public sector bodies, the contract drawings, the priced document and any other documents reduced to writing and signed by the authorised representative or representatives of the parties.

CONSTRUCTION PERIOD: The period commencing on the date of possession of the **site** by the **contractor** and ending on the date of **practical completion**.

CONTRACT PERIOD: The period commencing on the date of the letter of acceptance and ending on the date of final completion.

COST FLUCTUATION shall mean contract price adjustment provision (CPAP) for the adjustment of fluctuation in the cost of labour, plant, material and goods as stated in the schedule.

DEFAULT INTEREST: No clause.

GUARANTEE FOR CONSTRUCTION: A security in terms of the DPWI's Guarantee for Construction form/s, obtained by the contractor from an institution approved by the employer [CD].

INTEREST: The interest rates applicable on this contract, whether specifically indicated in the relevant clauses or not, will be the rate as determined by the Minister of Finance from time to time, in terms of section 80(1)(b) of the Public Finance Management Act, 1999 (Act No 1 of 1999) as amended, calculated as simple interest, in respect of debts owing to the State, and will be the rate as published by the Minister of Justice and Correctional Services from time to time, in terms of section 1(2) of the Prescribed Rate of Interest Act, 1975 (Act No 55 of 1975) as amended, calculated as simple interest, in respect of debts owing by the State.

LETTER OF ACCEPTANCE: The letter of formal acceptance of the Contractor's or Service Provider's Tender / Bid, issued and signed by the Employer.

PAYMENT CERTIFICATE: A certificate issued at regular agreed intervals [CD] by the principal agent to the parties certifying the amount due and payable in terms of clause 25.3.

PRINCIPAL AGENT: The person or entity appointed by the **employer** and named in the **contract data for organs of state and other public sector bodies**. In the event of a **principal agent** not being appointed, then all the duties and obligations of a **principal agent** as detailed in the **agreement** shall be fulfilled by the employer's representative as named in the **contract data for organs of state and other public sector bodies**.

TARGETED SUBCONTRACTORS: Subcontractors that must be appointed to a total of 30% or more of the contract sum, by the contractor, projects with a contract sum of the amount determined by the Minister in terms of the latest Preferential Procurement regulations, as may be amended from time to time.

Tender / Quotation no:

CONTRACT SPECIFIC DATA	
The following contract specific data, referring to the General Conditions of Contract for Construction Works, JBCC PRINCIPAL BUILDING AGREEMENT (Edition 6.2 of May 2018), are applicable to this Contract:	
3.3	Replace clause with the following: This agreement shall come into force on the date of letter of acceptance and continue to be of force and effect until the end of the latent defects liability period [22.0] notwithstanding termination [29.0] or the certification of final completion [21.0] and final payment [25.0].
4.2	Refer to clause 6.7 [CD].
4.3	Replace clause with the following: Where a contractor cedes any right or any monies due to or to become due under this agreement as security in favour of a financial institution, the prior written consent of the employer, which consent shall not be unreasonably withheld, must be obtained.
5.2	Replace last sentence with the following: The original signed agreement shall be held by the Employer.
5.4	Replace clause with the following: The Bills of Quantities shall not be used as a specification of material and goods or methods unless so instructed by the Principal Agent. The contractor may not use the Bills of Quantities for purpose of ordering material. All dimensions and quantities must be determined on site before ordering. In the event of discrepancy between the drawings and Bills of Quantity, the drawings shall take preference.
5.5	Replace clause with the following: The parties may publish or disclose on any platform only the contract scope and contract amount.
6.5	Replace clause with the following: Where the principal agent and/or an agent fails to act or is unable to act or ceases to be the principal agent or an agent in terms of this agreement, the employer may appoint another principal agent and/or an agent, be it temporary or permanently.
6.7	Add the following as clause 6.7: In terms of the clauses listed hereunder, the employer has retained its authority and has not given a mandate to the principal agent, notwithstanding other provisions in the contract. The employer shall sign all documents in relation to clauses 4.2, 14.1.4, 14.4.1, 14.6, 15.1.4, 15.4.1, 23.1, 23.2, 23.3, 23.7, 23.8, 26.1, 26.7, 26.12.
7.2	Replace first sentence with the following: Any design responsibility undertaken by a subcontractor shall not devolve on the contractor except for items that require specific component design and or compatibility design and or shop drawings and or the assembly thereof.
8.4	Replace clause with the following: The contractor shall bear the full risk of damage to and/or destruction of the works by whatever cause during construction of the works and hereby indemnifies and holds harmless the employer against any such damage. The contractor shall take such precautions and security measures and other steps for the protection and security of the works as the contractor may deem necessary.
9.2.7	Add the following to the end of the first sentence: "... due to no fault of the contractor".

Tender / Quotation no:

9.2.9	No clause.
9.2.10	No clause.
9.3	Add the following as clause 9.3: The employer's rights to claim damages for the contractor's omissions and actions will not be affected.
10.1	Replace clause with the following: The party responsible shall effect and keep the respective insurances [CD] in force, in favour of the employer as beneficiary, from the date of possession of the site until the issue of the certificate of practical completion and with an extension to cover the contractor's obligations after the date of practical completion [8.2.2].
10.1.5.1	Add the following as clause 10.1.5.1: Hi Risk Insurance In the event of the project being executed in a geological area classified as a "High Risk Area", that is an area which is subject to highly unstable sub-surface conditions that might result in catastrophic ground movement evident by sinkhole or doline formation the following will apply:
10.1.5.1.1	Add the following as clause 10.1.5.1.1: Damage to the works The contractor shall, from the date of possession of the site until the date of the certificate of practical completion, bear the full risk of and hereby indemnifies and holds harmless the employer against any damage to and/or destruction of the works consequent upon a catastrophic ground movement as mentioned above. The contractor shall take such precautions and security measures and other steps for the protection of the works as he may deem necessary. When so instructed to do so by the principal agent, the contractor shall proceed immediately to remove and/or dispose of any debris arising from damage to or destruction of the works and to rebuild, restore, replace and/or repair the works, at the contractor's own costs.
10.1.5.1.2	Add the following as clause 10.1.5.1.2: Injury to persons or loss of or damage to property The contractor shall be liable for and hereby indemnifies and holds harmless the employer against any liability, loss, claim or proceeding arising at any time during the period of the contract whether arising in common law or by statute, consequent upon personal injuries to or the death of any person whomsoever resulting from, arising out of or caused by a catastrophic ground movement as mentioned above. The contractor shall be liable for and hereby indemnifies the employer against any and all liability, loss, claim or proceeding consequent upon loss of or damage to any moveable, or immovable property, or personal property, or property contiguous to the site, whether belonging to or under the control of the employer or any other body or person whomsoever arising out of or caused by a catastrophic ground movement, as mentioned above, which occurred during the period of the contract.
10.1.5.1.3	Add the following as clause 10.1.5.1.3: It is the responsibility of the contractor to ensure that he has adequate insurance to cover his risk and liability as mentioned in 10.1.5.1.1 and 10.1.5.1.2. Without limiting the contractor's obligations in terms of the contract, the contractor shall, within twenty-one (21) calendar days of the date of letter of acceptance, but before commencement of the works, submit to the employer proof of such insurance policy.

Tender / Quotation no:

10.1.5.1.4	<p>Add the following as clause 10.1.5.1.4: The employer shall be entitled to recover any and all losses and/or damages of whatever nature suffered or incurred consequent upon the contractor's default of his obligations as set out in 10.1.5.1.1; 10.1.5.1.2 and 10.1.5.1.3. Such losses or damages may be recovered from the contractor or by deducting the same from any amounts still due under this contract or under any other contract presently or hereafter existing between the employer and the contractor and for this purpose all these contracts shall be considered one indivisible whole.</p>
10.2	<p>Replace clause with the following: Where practical completion in sections is required [20.0), or where the works is for alterations and additions, the contractor shall effect and keep in force contract works insurance [10.1.1], supplementary insurance [10.1.2], public liability insurance [10.1.3] and where applicable, removal of lateral support insurance [10.1.4] and other insurances [10.1.5) in favour of the employer as beneficiary.</p>
10.6	No clause.
10.11	<p>Add the following as clause 10.11 In the event that an insurer dispute the amount of the claim to be paid to the employer, the contractor shall be liable to the employer for the difference between the claim (as determined by the employers QS appointed on the project) made by the employer and the amount that the insurer is willing to pay.</p>
11.1	<p>Add the following to clause 11.1. In respect of contracts with a contract sum up to R1 million, the security to be provided by the contractor to the employer will be a payment reduction of five per cent (5%) of the value certified in the payment certificate (excluding VAT).</p> <p>In respect of contracts with a contract sum above R1 million, the contractor shall have the right to select the security to be provided in terms of C 1.0 Securities, as stated in the schedule. Such security shall be provided to the employer within fifteen (15) working days from contract commencement date. Should the contractor fail to select the security to be provided or should the contractor fail to provide the employer with the selected security within fifteen (15) working days from the contract commencement date, the security in terms of C 1.0 Option C shall be deemed to have been selected.</p> <p>The payment reduction of the value certified in a payment certificate shall be <i>mutatis mutandis</i> in terms of 25.12.1 - 25.12.5.</p>
11.1.1	No clause.
11.1.2	No clause.
11.2.2	No clause.
11.3	No clause.
11.4.1	<p>Replace clause 11.4.1 with the following: Hand over the site to the contractor and withhold an amount equal to ten per cent (10%) of each interim payment certificate until practical completion is achieved. The value certified shall be subject to the adjustments in terms of 25.12.6 to 25.12.10.</p>
11.5	No clause.
11.6	No clause.

Tender / Quotation no:

11.7	No clause.
11.8	No clause.
11.9	No clause.
11.10	No clause.
11.11	Add the following as clause 11.11 Where the security as a cash deposit of ten per cent (10%) of the contract sum (excluding VAT) has been selected:
11.11.1	Add the following as clause 11.11.1 The contractor shall furnish the employer with a cash deposit equal in value to ten percent (10%) of the contract sum (excluding VAT) within fifteen (15) working days from the contract commencement date. Failure to furnish the employer with a cash deposit within fifteen (15) working days clause 11.4 will apply <i>mutatis mutandis</i> .
11.11.2	Add the following as clause 11.11.2 The employer shall be entitled to recover expense and loss from the cash deposit in terms of 27.0 provided that the employer notifies the Contractor in which event the employer's entitlement shall take precedence over his obligations to refund the cash deposit security or portions thereof to the contractor.
11.11.3.	Add the following as clause 11.11.3 Within fifteen (15) working days of the date of practical completion of the works the employer shall reduce the cash deposit to an amount equal to three per cent (3%) of the contract value (excluding VAT).
11.11.4	Add the following as clause 11.11.4 Within fifteen (15) working days of the date of final completion of the works the employer shall reduce the cash deposit to an amount equal to one per cent (1%) of the contract value (excluding VAT).
11.11.5	Add the following as clause 11.11.5 On the date of payment of the amount in the final payment certificate, the employer shall refund the remainder of the cash deposit to the contractor.
11.11.6	Add the following as clause 11.11.6 The parties expressly agree that neither the employer nor the contractor shall be entitled to cede the rights to the deposit to any third party.
11.12	Add the following as clause 11.12 Where security as a variable construction guarantee of ten percent (10%) of the contract sum (excluding VAT) has been selected:
11.12.1	Add the following as clause 11.12.1 The contractor shall furnish the employer with an acceptable variable construction guarantee equal in value to ten per cent (10%) of the contract sum (excluding VAT) within fifteen (15) working days after issuance of the letter of acceptance. Failure to submit an acceptable variable construction guarantee within fifteen (15) working days clause 11.4 will apply <i>mutatis mutandis</i> .
11.12.2	Add the following as clause 11.12.2 The variable construction guarantee shall reduce and expire in terms of the Variable Construction Guarantee form included in the invitation to tender.

Tender / Quotation no:

11.12.3	Add the following as clause 11.12.3 The employer shall return the variable construction guarantee to the contractor within fourteen (14) calendar days of it expiring.
11.12.4	Add the following as clause 11.12.4 Where the employer has a right of recovery against the contractor in terms of 27.0, the employer shall issue a written demand in terms of the variable construction guarantee.
11.13	Add the following as clause 11.13 Where security is a fixed construction guarantee of five per cent (5%) of the contract sum (excluding VAT) and a five per cent (5%) payment reduction of the value certified in the payment certificate (excluding VAT) has been selected:
11.13.1	Add the following as clause 11.13.1 The contractor shall furnish a fixed construction guarantee to the employer equal in value to five per cent (5%) of the contract sum (excluding VAT).
11.13.2	Add the following as clause 11.13.2 The fixed construction guarantee shall come into force on the date of issue and shall expire on the date of the last certificate of practical completion.
11.13.3	Add the following as clause 11.13.3 The employer shall return the fixed construction guarantee to the contractor within fourteen (14) calendar days of it expiring.
11.13.4	Add the following as clause 11.13.4 The payment reduction of the value certified in a payment certificate shall be <i>mutatis mutandis</i> in terms of 25.12.1 - 25.12.5.
11.13.5	Add the following as clause 11.13.5 Where the employer has a right of recovery against the contractor in terms of 27.0, the employer shall be entitled to issue a written demand in terms of the fixed construction guarantee or may recover from the payment reduction or from both.
11.14.1	Add the following as clause 11.14.1 Where security as a cash deposit of five per cent (5%) of the contract sum (excluding VAT) and a payment reduction of five per cent (5%) of the value certified in the payment certificate (excluding VAT) has been selected:
11.14.2	Add the following as clause 11.14.2 The contractor shall furnish the employer with a cash deposit equal in value to five per cent (5%) of the contract sum (excluding VAT) within fifteen (15) working days from the contract commencement date. Failure to submit a cash deposit within fifteen (15) working days clause 11.4 will apply <i>mutatis mutandis</i> .
11.14.3	Add the following as clause 11.14.3 Within fifteen (15) working days of the date of practical completion of the works the employer shall refund the cash deposit in total to the contractor.
11.14.4	Add the following as clause 11.14.4 The payment reduction of the value certified in a payment certificate shall be <i>mutatis mutandis</i> in terms of 25.12.1 - 25.12.5.
11.14.5	Add the following as clause 11.14.5 Where the employer has a right of recovery against the contractor in terms of 27, the employer may recover from the payment reduction or cash deposit or from both.

Tender / Quotation no:

11.15	Add the following as clause 11.15 Where security as a payment reduction of ten per cent (10%) of the value certified in the payment certificate (excluding VAT) has been selected:
11.15.1	Add the following as clause 11.15.1 The payment reduction of the value certified in a payment certificate shall be <i>mutatis mutandis</i> in terms of 25.12.6 to 25.12.10.
11.15.2	Add the following as clause 11.15.2 The employer shall be entitled to recover expense and loss from the cash deposit in terms of 27.0 provided that the employer notifies the Contractor in which event the employer's entitlement shall take precedence over his obligations to refund the cash deposit security or portions thereof to the contractor.
11.16	Add the following as clause 11.16 Payments made by the guarantor to the employer in terms of the fixed or variable construction guarantee shall not prejudice the rights of the employer or contractor in terms of this agreement.
11.17	Add the following as clause 11.17 Should the contractor fail to furnish the security in terms of 11.2 the employer, in his sole discretion, and without notification to the contractor, is entitled to change the contractor's selected form of security to that of a ten per cent (10%) payment reduction of the value certified in the payment certificate (excluding VAT).
12.1.1	No Clause.
12.1.5	Replace clause with the following: Give possession of the site to the contractor within ten (10) working days after approval of the Health and Safety Plan or the issue of a construction permit by the Department of Labour, if applicable, after the contractor complied with the terms of 12.2.22.
12.1.6	No clause.
12.1.8	No clause.
12.2.2	Replace clause with the following: The priced Bills must be submitted to the Employer within fourteen (14) calendar days from date of request. Where the priced document contains errors or discrepancies and/or prices considered by the employer or principal agent to be imbalanced or unreasonable the employer or principal agent and the contractor shall adjust such prices without any change to the contract sum .
12.2.5	Replace clause with the following: Effect and keep in force insurances in favour of the employer as beneficiary where the contractor is responsible for providing insurances [10.0] [CD].
12.2.13	Replace clause with the following: Designate a competent person full time on site to continuously administer and control the works on site and to receive and implement notices and contract instructions on behalf of the contractor.
12.2.22	Insert the following clause as 12.2.22: Within fourteen (14) working days of the date of the letter of acceptance submit to the principal agent an acceptable health and safety plan, required in terms of the Occupational Health and Safety Act, 1993 (Act No 85 of 1993).

Tender / Quotation no:

12.2.23	Insert the following clause as 12.2.23: The contractor shall within reasonable time inform the agents regarding inspection of the works before covering / closing [B 12.0].
14.1.4	Refer to clause 6.7 [CD].
14.1.5	No clause.
14.4.1	Replace "principal agent "with "employer" [6.7 [CD]].
14.6	Refer to clause 6.7 [CD].
15.0	See clause 6.7 above for clauses, 15.5.
15.1.2	Replace clause with the following: The principal agent shall call for tenders from a list of tenderers agreed between the contractor and the employer.
15.1.4	Refer to clause 6.7 [CD].
15.1.5	No clause.
15.4.1	Replace "principal agent" with "employer" [6.7 [CD]].
17.4	Replace clause with the following: The contractor shall comply with and duly execute all contract instructions except any contract instruction for additional work issued after the date of practical completion other than making good physical loss and repairing damage to the works in terms of 8.0 and 21.
17.6	Add the following as clause 17.6: Minutes of meetings shall not constitute a site instruction unless reduced to a written contract instruction issued by the principal agent in terms of this contract / agreement.
19.5	Replace clause with the following: On issue of the only or last certificate of practical completion the employer shall be entitled to possession of the works and the site. On issue of the certificate of practical completion for a section, the employer shall be entitled to possession of such section.
19.8	Add the following as: 19.8 WORKS COMPLETION (1) Within seven (7) calendar days of the date of practical completion the principal agent shall issue to the contractor a works completion list defining the outstanding work and defects apparent at the date of practical completion to be completed or rectified to achieve works completion. (2) Where, in the opinion of the contractor, the works completion list has been completed the contractor shall notify the principal agent who shall inspect within seven (7) calendar days of receipt of such a notice. Where, in the opinion of the principal agent, the Works Completion list: (2)(a) Has been satisfactorily completed, the principal agent shall forthwith issue a certificate of Works Completion to the contractor with a copy to the employer

Tender / Quotation no:

<p>19.8 Continued</p>	<p>(2)(b) Has not been satisfactorily completed, the principal agent shall forthwith identify the works completion list items that are not yet complete and inform the contractor thereof. The contractor shall repeat the procedure in terms of 19.8(2)</p> <p>(3) Should the principal agent not issue a works completion list, in terms of 19.8 (1) or 25.2(b), within seven (7) calendar days from the end of the inspection period, the contractor shall notify the employer and principal agent. Should the principal agent not issue such Works Completion list within seven (7) calendar days of receipt of such notice, the employer may within seven (7) calendar days issue to the contractor a Works Completion list. Should the employer:</p> <p>(3)(a) Not issue such works completion list within seven (7) calendar days, then the certificate of Works Completion shall be deemed to have been issued on the date of expiry of the initial notice period and works completion shall be deemed to have been achieved on such date</p> <p>(3b) Issue a works completion list and the work on Works Completion list not have been completed or where further defects have become apparent, the employer shall forthwith identify such items on the updated works completion list and notify the contractor. The contractor shall repeat the procedure in terms of 25.2(b) until such items have been completed to the satisfaction of the employer</p> <p>(4) Should the works completion list not be completed to the satisfaction of the employer within a period of twenty one (21) working days of the issue first works completion list the contractor shall be liable to a daily penalty as described in B13.</p> <p>(5) The defects liability period in terms of 21.1 shall commence with the issue or deemed issue of the certificate of Works Completion in terms of 19.8(2)(a) or 19.8(3).</p>
<p>20.2.1.A</p>	<p>Add the following as: 20.2.1.A A certificate of Works Completion [19.8]</p>
<p>21.1</p>	<p>Replace clause 21.1 with the following: The defects liability period for the works shall commence on the calendar day following the date of works completion and end at midnight (00:00) ninety (90) calendar days from the date of works completion [CD] or when work on the list for completion has been satisfactorily attended to [21.6), whichever is the later (if we use works completion).</p>
<p>21.6</p>	<p>Replace clause 21.6 with the following: On the expiry of the ninety (90) calendar days defects liability period [21.1] for items not indicated as items with an extended liability as indicated in B14 and on receipt of the contractor's notice to the principal agent.</p> <p>And/or</p> <p>On the expiry of the defects liability period as indicated in B14, for items indicated in B14 and on receipt of the contractor's notice to the principal agent, the principal agent shall:</p> <p>(1) inspect the works And within ten (10) working days either issue a list for final completion detailing all outstanding work or defects that must be attended to, or rectified to achieve final completion or</p> <p>(2) issue the certificate of final completion to the contractor with a copy to the employer for that part of the works where defects liability period has expired.</p>
<p>21.6.1.</p>	<p>Omit clause.</p>

Tender / Quotation no:

21.6.2	Omit clause.
21.13	Add the following as clause 21.13 The ninety (90) calendar days defects liability period for the works [21.1] is replaced with an extended defects liability period of three hundred and sixty-five (365) calendar days in respect of the listed applicable elements in B14.
21.14	Add the following as clause 21.14 Penalties will be applied if the items on the completion list have not been attended to within a period of ninety (90) calendar days [21.1]. If additional defect items have been added to the list during this period, then the Principal Agent and Contractor will agree on a revised completion date. Failing in achieving the revised date will result in penalties being applied [B12.0].
22.3.2	No clause.
23.1	Refer to clause 6.7 [CD].
23.2	Refer to clause 6.7 [CD].
23.2.13	No clause.
23.3	Replace 23.3 with the following: Further circumstances that delays practical completion due to any other cause beyond the contractor's reasonable control that could not have reasonably been anticipated and provided for which the contractor may be entitled to a revision of the date for practical completion, with or without an adjustment of the contract value as determined by the Employer [6.7 CD].
23.7	Refer to clause 6.7 [CD].
23.8	Refer to clause 6.7 [CD].
24.1	Replace clause 24.1 with the following: Where the contractor fails to bring the works , or a section thereof, to practical-, works-, or final- completion by the applicable completion date [B10 CD], or the revised applicable completion date, the contractor shall be liable to the employer for the penalty [B10 CD].
24.2	Replace clause 24.2 with the following: Where the employer elects to levy such penalty the employer , or the principal agent on instruction from the employer , shall give notice thereof to the contractor . The principal agent shall determine the penalty due from the later of the date for practical- works-, or final- completion [B10 CD], or the revised date for practical- works-, or final- completion , up to and including the earlier of:
24.2.1	Replace clause 24.2.1 with the following: The actual or deemed date of practical-, works- or final- completion of the works , or a section thereof [23.7.1].
25.2	Replace clause 25.2 with the following: The principal agent shall issue at regular agreed intervals [CD] payment certificates, to the contractor with a copy to the employer, up to and including practical completion. Interim Payment certificates may be issued to the contractor between practical completion and the final payment certificate. A payment certificate may be for a nil or negative amount.

Tender / Quotation no:

25.3	<p>Add the following to clause 25.3:</p> <p>25.3.12 Monthly Local content report.</p> <p>25.3.13 EPWP / NYS payment register, labour reports and certified ID document of EPWP/ NYS beneficiaries, Contract between Contractor and EPWP/ NYS beneficiaries, attendance register (if applicable).</p> <p>25.3.14 Tax Invoice.</p> <p>25.3.15 Labour intensive report.</p> <p>25.3.16 Contract participation goal and cidb BUILD programme reports.</p>
25.5	No Clause.
25.6	<p>Replace clause 25.6 with the following: Materials and goods will only be certified and paid for upon providing proof of full payment to the supplier and proof of transfer of ownership from the supplier to the contractor by the contractor. Once paid, material and goods shall become the property of the employer and shall not be removed from site without the written authority of the Employer.</p>
25.7.5	No clause.
25.10	<p>Replace clause 25.10 with the following: The employer shall pay the contractor the amount stipulated in an issued payment certificate, correct in all material respects, within thirty (30) calendar days from the date of receiving the payment certificate and invoice including all other substantiating documentation for items certified in the payment certificate.</p>
25.12	<p>Replace clauses 25.12 to 25.12.3 with the following: The value certified shall be subject to the following percentage adjustments :</p> <p>(Clauses 25.12.1 to 25.12.5 shall be applicable to a contract sum up to R1 million. In the event of a contract sum more than R1 million for Options D & E (C 1.0 Securities [11.0]) Clauses 25.12.1 to 25.12.5 shall be applicable)</p> <p>25.12.1 Where a security is selected in terms of C 1.0 Securities [11.0] the value of the works in terms of 25.1 and of the materials and goods in terms of 25.4 shall be certified in full. The value certified shall be subject to the following percentage adjustments:</p> <p>25.12.2 Ninety-five per cent (95%) of such value in interim payment certificates issued up to the date of practical completion.</p> <p>25.12.3 Ninety-seven per cent (97%) of such value in interim payment certificates issued on the date of works completion and up to but excluding the date of final completion.</p> <p>25.12.4 Ninety-nine per cent (99%) of such value in interim payment certificates issued on the date of final completion and up to but excluding the final payment certificate in terms of 26.</p> <p>25.12.5 One hundred per cent (100%) of such value in the final payment certificate in terms of 26 except where the amount certified is in favour of the employer. In such an event the payment reduction shall remain at the adjustment level applicable to the final payment certificate.</p>

Tender / Quotation no:

<p>25.12 Continued</p>	<p>(Clauses 25.12.6 to 25.12.10 shall be applicable to a contract sum more than R1 million for Option C (C 1.0 Securities [11.0])</p> <p>25.12.6 Where security is a payment reduction in term of Option C, the value of the works in terms of 25.1 and materials and goods in terms of 25.4 shall be certified in full. The value certified shall be subject to the following percentage adjustments:</p> <p>25.12.7 Ninety per cent (90%) of such value in interim payment certificates issued up to the date of practical completion.</p> <p>25.12.8 Ninety-seven per cent (97%) of such value in interim payment certificates issued on the date of practical completion and up to but excluding the date of final completion.</p> <p>25.12.9 Ninety-nine per cent (99%) of such value in interim payment certificates issued on the date of final completion and up to but excluding the final payment certificate in terms of 26.</p> <p>25.12.10 One hundred per cent (100%) of such value in the final payment certificate in terms of 26 except were the amount certified is in favour of the employer. In such an event the payment reduction shall remain at the adjustment level applicable to the final payment certificate.</p>
<p>26.1</p>	<p>Refer to clause 6.7 [CD].</p>
<p>26.4.3</p>	<p>Omit clause.</p>
<p>26.7</p>	<p>Refer to clause 6.7 [CD].</p>
<p>26.10</p>	<p>Replace 26.10 with the following: The principal agent shall prepare the final account in consultation with the employer and issue the final account, to the contractor within sixty (60) working days of the date of practical completion.</p>
<p>26.12</p>	<p>Refer to clause 6.7 [CD].</p>
<p>27.1. 2</p>	<p>Replace 27.1.2 with the following: Interest due to late payment only.</p>
<p>27.1.4</p>	<p>Replace 27.1.4 with the following: Interest due to late payment only.</p>
<p>27.1.5</p>	<p>No clause.</p>
<p>27.5</p>	<p>Add the following as clause 27.5: Where the employer decides to recover an amount due in terms of 27.2 from a construction guarantee, cash deposit or retention money held as security, the employer shall issue a written demand to the contractor before recovering the amount. Should such amount not be paid to the employer within fourteen (14) calendar days of the date-of notice by the employer, the employer may recover such an amount from the security.</p>

Tender / Quotation no:

27.6	Add the following as clause 27.6: Where a provisional sequestration or provisional liquidation order has been granted or where an order has been granted which commences sequestration, liquidation, bankruptcy, receivership, winding-up or any similar effect, against the contractor or this agreement is cancelled in terms of 29, the employer may issue a demand to the guarantor in terms of the construction guarantee or advance payment guarantee held as security.
28.0	No clause.
28.1	No clause.
28.1.1	No clause.
28.1.2	No clause.
28.1.3	No clause.
28.1.4	No clause.
28.1.5	No clause.
28.2	No clause.
28.3	No clause.
28.4	No clause.
29.1.4	Add the following as clause 29.1.4: The contractor's estate has been sequestrated, liquidated or surrendered in terms of the insolvency laws in force within the Republic of South Africa.
29.1.5	Add the following as clause 29.1.5: The contractor has engaged in corrupt or fraudulent practices in competing for or in executing the contract.
29.1.6	Add the following as clause 29.1.6: Honour his obligations in terms of clauses 10.1.5.1.3, 11.4.1 and 12.2. sub clauses 5, 6, 8, 9, 10, 11, 12, 13, 15, 16, 19, 20, 22.
29.7	Replace clause 29.7 with the following: The employer, on notice to the contractor, may recover damages from the contractor from the date of termination including, but not limited to, additional costs incurred in the completion, consultant cost, rental of alternative accommodation, invitation of completion tenders, salaries of officials and safeguarding the site, of the remaining work [25.3.7; 27.1.3].
29.9	Replace clause 29.9 with the following: The employer has the right of recovery against the contractor , where applicable, [CD] from: The guarantee for construction (variable) until the final payment has been made; or The guarantee for construction (fixed) until the date of practical completion; or The payment reduction until the final payment is made; or The cash deposit made as security until the final payment is made.
29.14.1	No clause.
29.14.3	No clause.

Tender / Quotation no:

29.14.4	No clause.
29.14.5	No clause.
29.14.6	No clause.
29.14.7	No clause.
29.15	No clause.
29.16	No clause.
29.17.3	No clause.
29.17.6	No clause.
29.21.5	No clause.
29.22	No clause.
29.23	No clause.
29.25.3	No clause.
29.25.4	No clause.
29.27	No clause.
30.2	Replace clause 30.2 with the following: Where such disagreement is not resolved within ten (10) working days of receipt of such notice it shall be deemed to be a dispute and shall be submitted to Mediation as a first method of dispute resolution failing which the parties will resort to Litigation.
30.3 to 30.7.7	No clauses.
30.8	Replace clause 30.8 with the following: The parties may, by agreement and at any time before Litigation, refer a dispute to mediation, in which event:
30.8.1	No clause.
30.8.2	Replace clause 30.8.2 with the following: The appointment of a mediator, the procedure, and the status of the outcome shall be agreed between the parties.
30.8.3	Replace clause 30.8.3 with the following: Regardless of the outcome of a mediation the parties shall bear their own costs concerning the Mediation and equally share the costs of the mediator and related expenses.
30.9	Replace clause 30.9 with the following: Institution of Litigation shall be commenced and process served within three (3) year from the date of existence of the dispute, failing which the dispute shall lapse.
30.10	No clause.
30.12	No clause.

Tender / Quotation no:

B 19.0 CONTRACT PARTICIPATION GOAL TARGETS AND CIDB B.U.I.L.D. PROGRAMME

The contractor shall achieve in the performance of the contract the following Contract Participation Goals (CPGs) as described in PG-01.2 (EC): Scope of Work and PG-02.2 (EC): Pricing Assumptions and in accordance with the feasibility study, which forms part of the specifications in the CPG Section of the Specification of this contract.

(a)	Minimum 30% mandatory Subcontracting to SMMEs in accordance with the Preferential Procurement Policy Framework Act, 2000: Preferential Procurement Regulations, 2017 as published in the Government Gazette Notice No. 40553 of 20 January 2017 – Condition of Tender. (Applicable to all projects above R30 Mil for all class of works categories)	Select
(b)	Minimum Targeted Local Manufacturers of Material Contract Participation Goal, in accordance with the cidb Standard for Contract Participation Goals for Targeting Enterprises and Labour through Construction Works Contracts as published in the Government Gazette Notice No. 41237 of 10 November 2017, as amended in cidb Best Practice Project Assessment Scheme Notice No. 43726 of 18 September 2020 – Condition of Contract. (Applicable to projects which require 7GB or 7CE cidb grading, i.e. R20 000 001 and above with minimum 6 month construction period)	Select
(c)	Minimum Targeted Local Building Material Suppliers Contract Participation Goal in accordance with the cidb Standard for Contract Participation Goals for Targeting Enterprises and Labour through Construction Works Contracts as published in the Government Gazette Notice No. 41237 of 10 November 2017, as amended in cidb Best Practice Project Assessment Scheme Notice No. 43726 of 18 September 2020 – Condition of Contract. (Applicable to projects which require 7GB or 7CE cidb grading, i.e. R20 000 001 and above with minimum 6 month construction period)	Select
(d)	Minimum Targeted Local Labour Skills Development Contract Participation Goal in accordance with the cidb Standard for Contract Participation Goals for Targeting Enterprises and Labour through Construction Works Contracts as published in the Government Gazette Notice No. 41237 of 10 November 2017, as amended in cidb Best Practice Project Assessment Scheme Notice No. 43726 of 18 September 2020 – Condition of Contract. (Applicable to projects which require Grade 7 to 9 cidb grading, i.e. R20 000 001 and above with minimum 12 month construction period)	Select
(e)	cidb BUILD Programme: Minimum Targeted Enterprise Development Contract Participation Goal in accordance with the cidb Standard for Indirect Targeting for Enterprise Development through Construction Works Contracts, No 36190 Government Gazette, 25 February 2013, as amended in cidb Best Practice Project Assessment Scheme Notice No. 43726 of 18 September 2020 – Condition of Contract. (Applicable to projects which require 7GB or 7CE cidb grading, i.e. R20 000 001 and above with minimum 6 month construction period)	Select
(f)	cidb BUILD Programme: Minimum Targeted Contract Skills Development Goal in accordance with the cidb Standard for Developing Skills through Infrastructure Contracts as published in the Government Gazette Notice No. 43495 of 3 July 2020, as amended in cidb Best Practice Project Assessment Scheme Notice No. 43726 of 18 September 2020 as amended in cidb Best Practice Project Assessment Scheme Notice No. 43726 of 18 September 2020 – Condition of Contract. (Applicable to projects which require cidb Grade 7 and above for all class of works categories, i.e. R20 000 001 and above with minimum 12 month construction period)	Select
(g)	DPWI National Youth Service training and development programme (NYS) – Condition of Contract. (Applicable to projects with a minimum contract value R2 Mil and minimum 12 month construction period.	Select

Tender / Quotation no:

(h)	Labour Intensive Works – Condition of Contract. (Applicable to all CE projects and all GB projects \geq R30 million)	Select
(i)		Select
(j)		Select

PART 2: CONTRACT DATA COMPLETED BY THE TENDERER:

C TENDERER'S SELECTIONS

C 1.0 Securities [11.0]

In respect of contracts with a contract sum up to R1 million, the security to be provided by the contractor to the employer will be a payment reduction of five per cent (5%) of the value certified in the payment certificate (excluding VAT).

In respect of contracts with a contract sum more than R1 million, the security to be provided by the contractor to the employer will be selected by the Contractor as indicated below:

Guarantee for construction: Select Option A, B, C, D or E

Option A	cash deposit of 10 % of the contract sum (excluding VAT)
Option B	variable construction guarantee of 10 % of the contract sum (excluding VAT) (DPW-10.3 EC)
Option C	payment reduction of 10% of the value certified in the payment certificate (excluding VAT)
Option D	cash deposit of 5% of the contract sum (excluding. VAT) and a payment reduction of 5% of the value certified in the payment certificate (excluding. VAT)
Option E	fixed construction guarantee of 5% of the contract sum (excluding VAT) and a payment reduction of 5% of the value certified in the payment certificate (excluding VAT) (DPW-10.1 EC)]

NB: Insurances submitted must be issued by either an insurance company duly registered in terms of the Insurance Act [Long-Term Insurance Act, 1998 (Act 52 of 1998) or Short-Term Insurance Act, 1998 (Act 53 of 1998)] or by a bank duly registered in terms of the Banks Act, 1990 (Act 94 of 1990) on the pro-forma referred to above. No alterations or amendments of the wording of the pro-forma will be accepted.

Tender / Quotation no:

Guarantee for payment by employer [11.5.1; 11.10]	Not applicable
Advance payment, subject to a guarantee for advance payment [11.2.2; 11.3]	Not applicable

C 2.0 Payment of preliminaries [25.0]

Contractor's selection

Select Option A or B

Where the **contractor** does not select an option, Option A shall apply

Payment methods

Option A	The preliminaries shall be paid in accordance with an amount prorated to the value of the works executed in the same ratio as the amount of the preliminaries to the contract sum , which contract sum shall exclude the amount of preliminaries . Contingency sum(s) and any provision for cost fluctuations shall be excluded for the calculation of the aforesaid ratio
Option B	The preliminaries shall be paid in accordance with an amount agreed by the principal agent and the contractor in terms of the priced document to identify an initial establishment charge, a time-related charge and a final dis-establishment charge. Payment of the time-related charge shall be assessed by the principal agent and adjusted from time to time as may be necessary to take into account the rate of progress of the works

Lump sum contract

Where the amount of **preliminaries** is not provided it shall be taken as 7.5% (seven and a half per cent) of the **contract sum**, excluding contingency sum(s) and any provision for cost fluctuations.

C 3.0 Adjustment of preliminaries [26.9.4]

Contractor's selection

Select Option A or B

Where the **contractor** does not select an option, Option A shall apply.

Provision of particulars

The **contractor** shall provide the particulars for the purpose of the adjustment of **preliminaries** in terms of his selection. Where completion in **sections** is required, the **contractor** shall provide an apportionment of **preliminaries** per **section**.

Tender / Quotation no:

Option A	An allocation of the preliminaries amounts into Fixed, Value-related and Time-related amounts as defined for adjustment method Option A below, within fifteen (15) working days of the date of acceptance of the tender
Option B	A detailed breakdown of the preliminaries amounts within fifteen (15) working days of possession of the site . Such breakdown shall include, inter alia, the administrative and supervisory staff, the use of construction equipment , establishment and dis-establishment charges, insurances and guarantees, all in terms of the programme

Adjustment methods

The amount of **preliminaries** shall be adjusted to take account of the effect which changes in time and/or value have on **preliminaries**. Such adjustment shall be based on the particulars provided by the **contractor** for this purpose in terms of Options A or B, shall preclude any further adjustment of the amount of **preliminaries** and shall apply notwithstanding the actual employment of resources by the **contractor** in the execution of the **works**.

Option A	<p>The preliminaries shall be adjusted in accordance with the allocation of preliminaries amounts provided by the contractor, apportioned to sections where completion in sections is required</p> <p>Fixed - An amount which shall not be varied.</p> <p>Value-related - An amount varied in proportion to the contract value as compared to the contract sum. Both the contract sum and the contract value shall exclude the amount of preliminaries, contingency sum(s) and any provision for cost fluctuations.</p> <p>Time-related - An amount varied in proportion to the number of calendar days extension to the date of practical completion to which the contractor is entitled with an adjustment of the contract value [23.2; 23.3] as compared to the number of calendar days in the initial construction period [26.9.4].</p>
Option B	<p>The adjustment of preliminaries shall be based on the number of calendar days extension to the date of practical completion to which the contractor is entitled with an adjustment of the contract value [23.2; 23.3] as compared to the number of calendar days in the initial construction period [26.9.4]. The adjustment shall take into account the resources as set out in the detailed breakdown of the preliminaries for the period of construction during which the delay occurred.</p>

Failure to provide particulars within the period stated

Option A	<p>Where the allocation of preliminaries amounts for Option A is not provided, the following allocation of preliminaries amounts shall apply:</p> <p>Fixed - Ten per cent (10%) Value-related - Fifteen per cent (15%) Time-related - Seventy-five per cent (75%)</p> <p>Where the apportionment of the preliminaries per section is not provided, the categorised amounts shall be prorated to the cost of each section within the contract sum as determined by the principal agent</p>
Option B	<p>Where the detailed breakdown of preliminaries amounts for Option B is not provided, Option A shall apply</p>

Lump sum contract

Where the amount of **preliminaries** is not provided it shall be taken as 7.5% (seven and a half per cent) of the **contract sum**, excluding contingency sum(s) and any provision for cost fluctuations.

PA-36: DECLARATION CERTIFICATE FOR LOCAL PRODUCTION AND CONTENT FOR DESIGNATED SECTORS

This Standard Bidding Document (SBD) must form part of all bids invited. It contains general information and serves as a declaration form for local content (local production and local content are used interchangeably).

Before completing this declaration, bidders must study the General Conditions, Definitions, Directives applicable in respect of Local Content as prescribed in the Preferential Procurement Regulations, 2017, the South African Bureau of Standards (SABS) approved technical specification number SATS 1286:2011 (Edition 1) and the Guidance on the Calculation of Local Content together with the Local Content Declaration Templates [Annex C (Local Content Declaration: Summary Schedule), D (Imported Content Declaration: Supporting Schedule to Annex C) and E (Local Content Declaration: Supporting Schedule to Annex C)].

1. General Conditions

- 1.1. Preferential Procurement Regulations, 2017 (Regulation 8) make provision for the promotion of local production and content.
- 1.2. Regulation 8.(2) prescribes that in the case of designated sectors, organs of state must advertise such tenders with the specific bidding condition that only locally produced or manufactured goods, with a stipulated minimum threshold for local production and content will be considered.
- 1.3. Where necessary, for tenders referred to in paragraph 1.2 above, a two stage bidding process may be followed, where the first stage involves a minimum threshold for local production and content and the second stage price and B-BBEE.
- 1.4. A person awarded a contract in relation to a designated sector, may not sub-contract in such a manner that the local production and content of the overall value of the contract is reduced to below the stipulated minimum threshold.
- 1.5. The local content (LC) expressed as a percentage of the bid price must be calculated in accordance with the SABS approved technical specification number SATS 1286: 2011 as follows:

$$LC = [1 - x / y] * 100$$

Where

- x is the imported content in Rand
y is the bid price in Rand excluding value added tax (VAT)

Prices referred to in the determination of x must be converted to Rand (ZAR) by using the exchange rate published by South African Reserve Bank (SARB) on the date of advertisement of the bid as indicated in paragraph 3.1 below.

The SABS approved technical specification number SATS 1286:2011 is accessible on http://www.thedti.gov.za/industrial_development/ip.jsp at no cost.



PA36: Declaration Certificate for Local Production and Content for Designated Sectors.

(This form has been aligned with NT - SBD 6.2)

1.6. A bid may be disqualified if this Declaration Certificate and the Annex C (Local Content Declaration: Summary Schedule) are not submitted as part of the bid documentation;

2. The stipulated minimum threshold(s) for local production and content (refer to Annex A of SATS 1286:2011) for this bid is/are as follows:

<u>Description of services, works or goods</u>	<u>Stipulated minimum threshold</u>
Steel	100%
Safety boots	100%
Overalls	100%
Motors	70%
PVC pipes	100%
Electrical cables	90%

3. Does any portion of the goods or services offered have any imported content?
(Tick applicable box)

YES	<input type="checkbox"/>	NO	<input type="checkbox"/>
-----	--------------------------	----	--------------------------

3.1 If yes, the rate(s) of exchange to be used in this bid to calculate the local content as prescribed in paragraph 1.5 of the general conditions must be the rate(s) published by SARB for the specific currency on the date of advertisement of the bid.

The relevant rates of exchange information is accessible on www.resbank.co.za

Indicate the rate(s) of exchange against the appropriate currency in the table below (refer to Annex A of SATS 1286:2011):

Currency	Rates of exchange
US Dollar	
Pound Sterling	
Euro	
Yen	
Other	

NB: Bidders must submit proof of the SARB rate (s) of exchange used.

4. Where, after the award of a bid, challenges are experienced in meeting the stipulated minimum threshold for local content the dti must be informed accordingly in order for the dti to verify and in consultation with the AO/AA provide directives in this regard.

Any reference to words "Bid" or Bidder" herein and/or in any other documentation shall be construed to have the same meaning as the words "Tender" or "Tenderer".



LOCAL CONTENT DECLARATION
(REFER TO ANNEX B OF SATS 1286:2011)

LOCAL CONTENT DECLARATION BY CHIEF FINANCIAL OFFICER OR OTHER LEGALLY RESPONSIBLE PERSON NOMINATED IN WRITING BY THE CHIEF EXECUTIVE OR SENIOR MEMBER/PERSON WITH MANAGEMENT RESPONSIBILITY (CLOSE CORPORATION, PARTNERSHIP OR INDIVIDUAL)

IN RESPECT OF BID NO.

ISSUED BY: (Procurement Authority / Name of Institution):

.....
NB

- 1 The obligation to complete, duly sign and submit this declaration cannot be transferred to an external authorized representative, auditor or any other third party acting on behalf of the bidder.
- 2 Guidance on the Calculation of Local Content together with Local Content Declaration Templates (Annex C, D and E) is accessible on http://www.thedti.gov.za/industrial_development/ip.isp. Bidders should first complete Declaration D. After completing Declaration D, bidders should complete Declaration E and then consolidate the information on Declaration C. **Declaration C should be submitted with the bid documentation at the closing date and time of the bid in order to substantiate the declaration made in paragraph (c) below.** Declarations D and E should be kept by the bidders for verification purposes for a period of at least 5 years. The successful bidder is required to continuously update Declarations C, D and E with the actual values for the duration of the contract.

I, the undersigned, (full names),
do hereby declare, in my capacity as
of(name of bidder
entity), the following:

- (a) The facts contained herein are within my own personal knowledge.
- (b) I have satisfied myself that:
 - (i) the goods/services/works to be delivered in terms of the above-specified bid comply with the minimum local content requirements as specified in the bid, and as measured in terms of SATS 1286:2011; and
- (c) The local content percentage (%) indicated below has been calculated using the formula given in clause 3 of SATS 1286:2011, the rates of exchange indicated in paragraph 3.1 above and the information contained in Declaration D and E which has been consolidated in Declaration C:

Bid price, excluding VAT (y)	R
Imported content (x), as calculated in terms of SATS 1286:2011	R
Stipulated minimum threshold for local content (paragraph 3 above)	
Local content %, as calculated in terms of SATS 1286:2011	



PA36: Declaration Certificate for Local Production and Content for Designated Sectors.

(This form has been aligned with NT - SBD 6.2)

**If the bid is for more than one product, the local content percentages for each product contained in Declaration C shall be used instead of the table above.
The local content percentages for each product has been calculated using the formula given in clause 3 of SATS 1286:2011, the rates of exchange indicated in paragraph 3.1 above and the information contained in Declaration D and E.**

- (d) I accept that the Procurement Authority / Institution has the right to request that the local content be verified in terms of the requirements of SATS 1286:2011.
- (e) I understand that the awarding of the bid is dependent on the accuracy of the information furnished in this application. I also understand that the submission of incorrect data, or data that are not verifiable as described in SATS 1286:2011, may result in the Procurement Authority / Institution imposing any or all of the remedies as provided for in Regulation 14 of the Preferential Procurement Regulations, 2017 promulgated under the Preferential Policy Framework Act (PPPFA), 2000 (Act No. 5 of 2000).

SIGNATURE: _____

WITNESS No. 1 _____

DATE: _____

WITNESS No. 2 _____

DATE: _____

DPW-21 (EC): RECORD OF ADDENDA TO TENDER DOCUMENTS

Project title:	Warrenton SAPS: Installation of security gates		
Tender no:	CW 08/2022	Reference no:	19/2/4/2/2/2454/24

1. I / We confirm that the following communications received from the Department of Public Works and Infrastructure before the submission of this tender offer, amending the tender documents, have been taken into account in this tender offer: *(Attach additional pages if more space is required)*

	Date	Title or Details
1.		
2.		
3.		
4.		
5.		
6.		
7.		
8.		
9.		
10.		
11.		
12.		
13.		

Name of Tenderer	Signature	Date

2. I / We confirm that no communications were received from the Department of Public Works and Infrastructure before the submission of this tender offer, amending the tender documents.

Name of Tenderer	Signature	Date

Annex C

Local Content Declaration - Summary Schedule

(C1)
(C2)
(C3)
(C4)
(C5)
(C6)
(C7)

Tender No.
Tender description:
Designated product(s)
Tender Authority:
Tendering Entity name:
Tender Exchange Rate:
Specified local content %

Warrenton SAPS: Installation of security gates

Pula

EU

GBP

Note: VAT to be excluded from all calculations

Tender item no's	List of items	Calculation of local content				Local content % (per item)	Tender summary				
		Tender price - each (excl VAT)	Exempted imported value	Tender value net of exempted imported content	Imported value		Local value	Tender Qty	Total tender value	Total exempted imported content	Total imported content
(C8)	(C9)	(C10)	(C11)	(C12)	(C13)	(C14)	(C15)	(C16)	(C17)	(C18)	(C19)
	Steel						100%				
	Safety boots						100%				
	Overalls						100%				
	Motors						70%				
	PVC pipes						100%				
	Electrical cables						90%				

(C20) Total tender value
(C21) Total Exempt imported content
(C22) Total Tender value net of exempt imported content
(C23) Total imported content
(C24) Total local content
(C25) Average local content % of tender

Signature of tenderer from Annex B

Date: _____

Annex D

Imported Content Declaration - Supporting Schedule to Annex C

(D1) Tender No.
 (D2) Tender description:
 (D3) Designated Products:
 (D4) Tender Authority:
 (D5) Tendering Entity name:
 (D6) Tender Exchange Rate:

Warrenton SAPS: Installation of security gates

Note: VAT to be excluded from all calculations

EU GBP

Pula

A. Exempted imported content

Tender item no's	Description of imported content	Local supplier	Overseas Supplier	Foreign currency value as per Commercial Invoice	Tender Exchange Rate	Calculation of imported content			Total landed cost excl VAT	Exempted imported value	
						Local value of imports	Freight costs to port of entry	All locally incurred landing costs & duties			
(D7)	(D8)	(D9)	(D10)	(D11)	(D12)	(D13)	(D14)	(D15)	(D16)	(D17)	(D18)
(D19) Total exempt imported value										R O	
This total must correspond with Annex C - C.21											

B. Imported directly by the Tenderer

Tender item no's	Description of imported content	Unit of measure	Overseas Supplier	Foreign currency value as per Commercial Invoice	Tender Rate of Exchange	Local value of imports	Freight costs to port of entry	All locally incurred landing costs & duties	Total landed cost excl VAT	Total imported value
(D32) Total imported value by tenderer										R O

C. Imported by a 3rd party and supplied to the Tenderer

Description of imported content	Unit of measure	Local supplier	Overseas Supplier	Foreign currency value as per Commercial Invoice	Tender Rate of Exchange	Local value of imports	Freight costs to port of entry	All locally incurred landing costs & duties	Total landed cost excl VAT	Quantity Imported	Total imported value
(D45) Total imported value by 3rd party										R O	

D. Other foreign currency payments

Type of payment	Calculation of foreign currency payments		
	Local supplier making the payment	Overseas beneficiary	Tender Rate of Exchange
(D46)	(D47)	(D48)	(D49)
(D50)	(D51)	(D52)	(D53)

Signature of tenderer from Annex B

(D52) Total of foreign currency payments declared by tenderer and/or 3rd party

(D53) Total of imported content & foreign currency payments - (D32), (D45) & (D52) above

This total must correspond with Annex C - C.23

Date:

Annex E

Local Content Declaration - Supporting Schedule to Annex C

(E1)
(E2)
(E3)
(E4)
(E5)

Tender No.
Tender description:
Designated products:
Tender Authority:
Tendering Entity name:

Warrenton SAPS: Installation of security gates

Note: VAT to be excluded from all calculations

Local Products (Goods, Services and Works)	Description of items purchased	Local suppliers	Value
	(E6)	(E7)	(E8)
(E9) Total local products (Goods, Services and Works)			R O

(E10) **Manpower costs** (Tenderer's manpower cost) R O

(E11) **Factory overheads** (Rental, depreciation & amortisation, utility costs, consumables etc.) R O

(E12) **Administration overheads and mark-up** (Marketing, insurance, financing, interest etc.) R O

(E13) Total local content R O

This total must correspond with Annex C - C24

Signature of tenderer from Annex B

Date: _____



public works
& infrastructure

Department:
Public Works and Infrastructure
REPUBLIC OF SOUTH AFRICA



EXPANDED PUBLIC WORKS PROGRAMME
CONTRIBUTING TO A NATION AT WORK

EPWP IMPLEMENTATION FRAMEWORK ON NDPWI PROJECTS

Warrenton SAPS: Installation of security gates

In order to make tender / contract documents fully EPWP compliant (labour-intensive construction projects) the following clauses and / or additions need to be included in the documentation:

1. Tender Document Cover

The following EPWP Logo to be included on the bottom of the front cover



EXPANDED PUBLIC WORKS PROGRAMME
CONTRIBUTING TO A NATION AT WORK

2. Tender Notice and Invitation to Tender

The following must be included in the notice and invitation to tender (for Contract Documentation for the Works):

"Only tenderers who employ staff which satisfy EPWP requirements are eligible to submit tenders."

3. Contract Data

The following must be included in the contract data in the contract with the Employer:

Linkage of payment for labour-intensive component of works to submission of project data

The Contractor's payment invoices shall be accompanied by labour information for the corresponding period in a format specified by the employer. If the contractor chooses to delay submitting payment invoices, labour returns shall still be submitted as per frequency and timeframe stipulated by the Employer. The contractor's invoices shall not be paid until all pending labour information has been submitted.

Applicable labour laws

The current Ministerial Determination (also downloadable at www.epwp.gov.za), Expanded Public Works Programmes, issued in terms of the Basic Conditions of Employment Act of 1997 by the Minister of Labour in Government Notice, shall apply to works described in the scope of work as being labour intensive and which are undertaken by unskilled or semi-skilled workers.

4. Bill of Quantities



- Due to the nature of the works involved, this type of project is feasible as a labour Intensive project i.e. the construction activities will require skilled/unskilled labour.
- Noted that only few items were identified to be implemented LI on the BOQ. The QS is kindly requested to identify more activities that will be done LI in the BOQ.
- Below are some of the potential focus areas where employment creation can be optimized. The following activities must be marked in the bill of quantities with the letter (LI);

LI Activities
All excavations works not exceeding 1.5 m
Masonry
Brickwork
Waterproofing (requires skilled labour and semi-skilled labour)
Cleaning of roof
Carpentry and joinery (requires skilled and semi-skilled labour)
Shelving
Installation of handle doors, door closers, nameplates, bathroom fittings
Signage,
Installation of pinning boards , writing boards
Plastering (Internal and External)
Tiling
Plumbing and Drainage & stormwater drainage
Paintwork
Installation of Fencing
Landscaping
Sewer connections
Water connections
Road signs
Paving to parking area
Fencing and installation of gate

6. Employment Targets

The contractor needs to provide a realistic estimate on the number of jobs that the project has the potential to create throughout the project duration as the project will be implemented using Labour Intensive Construction methods on elements where it is economical and feasible for this construction method.

Estimated no of jobs to be created:
NYS Beneficiaries = N/A
Local Labour = 1

7. Employment requirements



Tenderers are advised that this contract will be subject to the Expanded Public Works Program (EPWP) aimed at alleviating and reducing unemployment.

Tenderers must allow for any costs for the following employment requirements of the EPWP

60% women

55% youth aged between 18 and 35 years

2% people with disability

100% unskilled labour utilized must reside within the boundaries of the Municipality ward where this contract is executed, with preference to the local community closest or at the walking distance to the contract site. Wherever possible local skilled tradesmen are to be employed on this contract with the view to maximize utilization of local resources.

8. Employment of Community Liaison Officer (CLO)

- 8.1. The Contractor shall allow for and pay any and all costs necessary for the engagement of the services of a Community Liaison Officer (CLO) for the full duration of a project.
- 8.2. A CLO will be identified by the local structures (Project Steering Committee) of the ward areas and appointed following a fair and transparent interviewing process, to be conducted in the presence of local structures and the contractor representative, in order to assist the Contractor in the procurement of any local labour, etc. required for this project.
- 8.3. The Contractor is to liaise with the CLO and afford him any assistance needed in ensuring sound working relations with the local community.
- 8.4. Key Responsibilities of the CLO are envisaged to include and not necessary be limited to:
 - a) Assisting local leadership in conducting skills and resources audit which facilitates sourcing labour from within the ward or targeted areas for employment, as required by contractor,
 - b) Assisting in the procurement of materials from local resources, as required by the contractor,
 - c) Assisting the contractor by identifying areas of potential conflict and or threats to the project or to stakeholders in the project and recommend appropriate action to the contractor.
 - d) Assisting contractor and stakeholders in the project in the resolution of any conflict which may arise.
 - e) Establishing and ensuring that sufficient and open communication channels between the contractor and the work force are maintained.
 - f) Establish and ensuring that efficient and open communication channels between the contractor and the community are maintained



public works
& infrastructure

Department:
Public Works and Infrastructure
REPUBLIC OF SOUTH AFRICA



- g) Identifying and reporting to the Contractor regarding issues where communication between stakeholders is necessary, recommend courses of action and facilitate such communications
- h) Assisting the Contractor and the work force in the establishment of grievance procedures and necessary recommendation to the Contractor regarding the grievances and solution thereto.
- i) Attending to site meetings and project implementation meetings as required by the Contractor and prepare periodic reports as may be required by the Contractor from time to time.
- j) Attending to such other duties which are consistent with the functions of a CLO, as may be required by the Contractor from time to time.

9. EPWP Branding

9.1. Signboard

EPWP Programme at the project level shall always be promoted through the projects signage board that embrace EPWP logo at the bottom, correct measurement for this signage board will be provided by the project leader during the site handing over meeting.

The Contractor is responsible for ensuring that the project board remains neatly and safely erected for the full duration including the maintenance period, after which the project board and posts are to be dismantled and handed to the client in good order

9.2. Personal Protective Equipment (PPE)

All local labourers including contractor & sub-contractors' shall be provided with EPWP branded Personal Protective Equipment (PPE), as per the branding specifications.

Overalls to be orange in colour as per EPWP Corporate image and requirements (Annexure E). Branding to be done in full colour. Specification with the exception of Correctional Services contracts where the participants top and bottom would be green.

10. Reporting

The Contractor's payment invoice shall be accompanied by labour information for the corresponding period in an EPWP reporting format (Annexure B). The completed EPWP reporting template should be accompanied by the following supporting documents:

- Contract of employment (Individual and/or Entity) - once-off
- Certified South African ID copy (certification date not older than 3 months)- once-off
- Attendance register of participants- periodically
- Proof of payment of participants- periodically
- Schedule of payment for SMMES- periodically (N/A)



The Consultant shall, before certifying a contractor’s payment certificate, ensure that contractor has submitted labour information in a format and timeframe specified by the employer.

If the information submitted by the contractor is inadequate the consultant shall not submit the payment certificate to the employer for payment. If the contractor chooses to delay submitting payment invoices, labour information shall still be submitted as per frequency and timeframe stipulated by the Employer. The contractor’s invoice shall not be paid until all pending labour information has been submitted.

12.02 PROVISION OF EPWP DESIGNED OVERALLS, HARD HATS TO YOUTH WORKERS (NYS) AS WELL AS ONE PAIR OF SAFETY BOOTS.

12.02.01 PPE for local labour: Supply 1 x overalls, 1 x hard hat, 1 x safety goggles and 1 pair of safety boots to each local labour

R.....Unit: PC .Sum

Amount carried forward to summary: R.....

BILLS OF QUANTITIES

BILL NUMBER 1:PRELIMINARIES & GENERAL					
<i>Item</i>	<i>Description</i>	<i>Unit</i>	<i>Qty</i>	<i>Unit Price</i>	<i>Total Price</i>
1.	PRELIMINARIES				
	The contractor shall allow for his own preliminary and/or overhead costs as required for the execution of the contract provisions such as the following and any other requirements they may wish to add: - Compliance with health and safety regulations as per Act 85 of 1993 - Site Establishment - Cleaning and Clearing - Electrical power supply - Verification of measurements, quantities and sizes - Protection of adjoining structures - Minimizing operational disruptions - Keeping the site clean - Other: Specify	lump sum	1		
TOTAL CARRIED FORWARD TO SUMMARY PAGE					

BILL NUMBER 2:GATES INSTALLATION					
<i>Item</i>	<i>Description</i>	<i>Unit</i>	<i>Qty</i>	<i>Unit Price</i>	<i>Total Price</i>
<i>NOTES</i>					
<p>Pricing: The tenderer is advised to visit the site before pricing this section to acquaint themselves with the site conditions and to confirm measurements</p> <p>Installation: Installation of all fencing gates must be in accordance to manufacturer's specifications and applicable drawings</p> <p>Samples: Bidders will be required to bring a sample(s) of the gate to client representative for approval and it shall be kept on site until the works are completed</p> <p>Product: All steel materials shall be of good commercial quality galvanized steel All pipes shall be galvanized in one piece without joints. Furnish moisture proof caps for all posts Zinc coating shall be smooth and essentially free from lumps, globs or points Miscellaneous material shall be galvanized</p>					
1.	INSTALLATION OF SECURITY GATES				
	Buried foundation for guide rails and gates posts, Class B – concrete 400 x 400 x 600 mm deep; poles embedded 400 mm. Includes form bearer. Supply and install and pouring of concrete 49N				
1.1	<p>To provide and install vehicle motor gate 4500mm width x2400 mm high, constructed with a minimum of 4mm diameter welded galvanized wire meshing constructed of low Carbon Steel with apertures of 12.7 x 76.2 mm. INVISIBLE WALL ANTICLIMB welded mesh paneling. Contractor to check and measurements on site and the same against drawing and specification before putting any work in hand.</p> <p>INCLUDING Gates Posts</p> <p>From opening in position for Motor Vehicles gate with posts placed 4550mm centers from each other. Construction of posts to be constructed 76 x 76 x 3.6 mm thick mils steel</p> <p>9m long safety guide rail embedded on concrete ground beam for sliding gate mounting as per manufacture's specification complete with all necessary fitting installed on 400mm wide by 400mm deep reinforced concrete ground beam along gate opening for safety railing mounting.</p> <p>Provide gates with commercial grade automated electrical motor and remote controls with battery backup and antitheft bracket for antilift devises.</p> <p>Drawings are attached to be used as installation guide.</p> <p>Setting out excavation of foundation for gates installation Test the gates for functioning and leave in good working condition.</p>	each	2		
1.2	<p>To provide and install pedestrian gate to be 1400 mm W x 2400 mm H (recommended commercial dimensions), constructed of INVISIBLE WALL ANTICLIMB welded mesh paneling.</p> <p>INCLUDING Gate posts</p> <p>CCTV CAMERAS AND ELECTRICAL LOCK FOR ACCESS CONTROL. Supply and install Day and Night CCTV Cameras.</p> <p>Supply and install magnetic lock 12 v, 300kg/3000 N for pedestrian gate.</p> <p>Supply and install high security heavy duty metallic manual lock</p> <p>Supply and install RG-59 coaxial cable + 2 x 2.5 mm power cable (Provision)</p> <p>Supply and install 19 mm PVC pipe (Provisional)</p> <p>Test the gate for functioning and leave in good working condition.</p>	each	1		
			2		
			1		
			1		
1.3	Issue electrical certificate of compliance for all installations	each	3		
TOTAL CARRIED FORWARD TO SUMMARY PAGE					

GENERAL NOTES

- This Bill of Quantities forms part of, and must be read in conjunction with the specification.
- No alteration, erasure or addition is to be made in the text of the Bill of Quantities. Should any alteration, erasure or addition be made it will not be recognised but the original wording of the Bill of Quantities will be adhered to.
- The Department will check the completed Bill of Quantities and reserves the right to adjust any individual price and to rectify any discrepancy whilst the total tender price as quoted remains unaltered.
- The quantities given in the Bill for cable, cable markers, earth wire laid with cable, overhead conductors, overhead earth wire and excavations cannot be regarded as exact and are subject to measurement on site after completion of the service and adjustments will be made according to the unit rates given in the Bill.

All other quantities will not be measured on site.

In the event of discrepancies between the drawings, specifications and Bill of Quantities the Department shall decide whether the work as executed shall be re-measured on site or whether re-measurement shall be effected from the working drawings only.

NOTE:

Checking of Cable and Overhead Conductor Lengths

Notwithstanding the fact that the lengths of cables and overhead conductors as given in the Bills of Quantities have been measured from scaled drawings, the contractor shall check such lengths of cable after the completion of the service. Any allowance for off-cuts shall be made in the unit rates. The final measurements shall be based on the nett route length of the cables and overhead lines concerned.

- Where alternative prices for gear of different manufacture are quoted the lowest alternative price for gear to specification must be quoted against the relevant item in the Bill of Quantities. The remaining alternative prices must be furnished separately.
- The unit prices quoted in the Bill of Quantities must include for such small installation material as are required for the complete installation in accordance with the specification.
- Unit prices must be quoted for all items listed in the Bill of Quantities, even if the quantity listed is zero.

AMENDED 94/09

SPECIFICATION FOR ELECTRICAL WORK**1. NOTICES AND FEES**

The contractor shall give all notices required by and pay all necessary fees, including any inspection fees, which may be due to the local Supply and install Authority.

On production of the official account, only the net amount of the fee charged by the Supply and install Authority for connection of the installation to the Supply and install mains, will be refunded to the contractor by the Department.

2. SCHEDULE OF FITTINGS

In all instances where schedule of light, socket outlet and power points are attached or included on the drawings, these schedules are to be regarded as forming part of the specification.

3. QUALITY OF MATERIALS

Only materials of first-class quality shall be used and all materials shall be subject to the approval of the Department. Departmental specifications for various materials to be used on this contract are attached to and form part of this specification.

Wherever applicable the material is to comply with the relevant South African Bureau of Standards specifications, or to British Standard Specifications, where no SABS Specifications exist.

Materials wherever possible, must be of South African manufacture.

4. CONDUIT AND ACCESSORIES

The type of conduit and accessories required for the service, *i.e.* whether the conduit and accessories shall be of the screwed type, plain-end type or of the non-metallic type and whether metallic conduit shall be black enamelled or galvanised, is specified in Part 2 of this specification. Unless other methods of installation are specified for certain circuits, the installation shall be in conduit throughout. No open wiring in roof spaces or elsewhere will be permitted.

The conduit and conduit accessories shall comply fully with the applicable SABS specifications as set out below and the conduit shall bear the mark of approval of the South African Bureau of Standards.

- (a) Screwed metallic conduit and accessories: SABS 162
- (b) Plain-end metallic conduit and accessories: SABS 1065 Parts 1 and 2
- (c) Non-metallic conduit and accessories: SABS 950

All conduit fittings except couplings, shall be of the inspection type. Where cast metal conduit accessories are used, these shall be of malleable iron. Zinc base fittings will not be allowed.

Bushes used for metallic conduit shall be brass and shall be provided in addition to locknuts at all points where the conduit terminates at switchboards, switch-boxes, draw-boxes, etcetera

Draw-boxes are to be provided in accordance with the "Wiring Code" and wherever necessary to facilitate easy wiring.

For light and socket outlet circuits, the conduit used shall have an external diameter of 20 mm. In all other instances the sizes of conduit shall be in accordance with the "Wiring Code" for the specified number and size of conductors, unless otherwise directed in part 2 of this specification or indicated on the drawings.

Only one manufacture of conduit and conduit accessories will be permitted throughout the installation.

Running joints in screwed conduit are to be avoided as far as possible and all conduit systems shall be set or bend to the required angles. The use of normal bends must be kept to a minimum with exception of larger diameter conduits where the use of such bends is essential.

All metallic conduit shall be manufactured of mild steel with a minimum thickness of 1.2 mm for plain-end conduit and 1.6 mm in respect of screwed conduit.

NOTE

Under no circumstances will conduit having a wall thickness of less than 1.6 mm be allowed in screeding laid on top of concrete slabs.

Bending and setting of conduit must be done with special bending apparatus manufactured for the purpose and which are obtainable from the manufacturers of the conduit systems.

Damage to conduit resulting from the use of incorrect bending apparatus or methods applied must on indication by the Department's inspectorate staff, be completely removed and rectified and any wiring already drawn into such damaged conduits must be completely renewed at the contractor's expense.

Conduit and conduit accessories used for flame-proof or explosion proof installations and for the suspension of luminaires as well as all load bearing conduit shall in all instances be of the metallic screwed type.

All conduit and accessories used in areas within 50km of the coast shall be galvanised to SABS 763.

Tenderers must ensure that general approval of the proposed conduit system to be used is obtained from the local electricity Supply and install authority prior to the submission of their tender. Under no circumstances will consideration be given by the Department to any claim submitted by the contractor, which may result from a lack of knowledge in regard to the Supply and install authority's requirements.

5. CONDUIT IN ROOF SPACES

Conduit in roof spaces shall be installed parallel or at right angles to the roof members and shall be secured at intervals not exceeding 1.5 metre by means of saddles screwed to the roof timbers.

Nail or crampets will not be allowed.

Where non-metallic conduit has been specified for a particular service, the conduit shall be supported and fixed with saddles with a maximum spacing of 450 mm throughout the installation. The contractor shall Supply and install and install all additional supporting timbers in the roof space as required.

Under flat roofs, in false ceilings or where there is less than 0.9 metre of clearance, or should the ceilings be insulated with glass wool or other insulating material, the conduit shall be installed in such a manner as to allow for all wiring to be executed from below the ceilings.

Conduit runs from distribution boards shall, where possible terminate in fabricated sheet steel draw-boxes installed directly above or in close proximity to the boards.

6. SURFACE MOUNTED CONDUIT

Wherever possible, the conduit installation is to be concealed in the building work; however, where unavoidable or otherwise specified under Part 2 of the specification, conduit installed on the surface must be plumbed or levelled and only straight lengths shall be used.

The use of inspection bends is to be avoided and instead the conduit shall be set uniformly and inspection coupling used where necessary.

No threads will be permitted to show when the conduit installation is complete, except where running couplings have been employed.

Running couplings are only to be used where unavoidable, and shall be fitted with a sliced couplings as a locknut. Conduit is to be run on approved spaced saddles rigidly secured to the walls. Alternatively, fittings, tees, boxes, couplings etcetera, are to be cut into the surface to allow the conduit to fit flush against the surface. Conduit is to be bedded into any wall irregularities to avoid gaps between the surface and the conduit.

Crossing of conduits is to be avoided, however, should it be necessary purpose-made metal boxes are to be provided at the junction. The finish of the boxes and positioning shall be keeping with the general layout.

Where several conduits are installed side by side, they shall be evenly spaced and grouped under one purpose-made saddle.

Distribution boards, draw-boxes, industrial switches and socket outlets etcetera, shall be neatly recessed into the surface to avoid double sets.

In situations where there are no ceilings the conduits are to be run along the wall plates and tie beams.

In buildings where building operations are to be carried out, all surface conduit will be painted by the building contractor.

In all other instances the electrical contractor shall allow for painting of surface conduit with two coats of good quality enamel paint and the colour shall match the surrounding building finish.

Only approved plugging materials such as aluminium inserts, fibre plugs, plastic plugs, etcetera, and round-head screws shall be used for fixing saddles, switches, socket outlets, etcetera, to walls, wood plugs and the plugging in joints in brick walls are not acceptable.

7. CONDUIT IN CONCRETE SLABS

In order not to delay building operations the contractor must ensure that all conduits and other electrical equipment which are to be cast in the concrete columns and slabs are installed in good time.

The contractor shall have a representative in attendance at all times when the casting of concrete takes place.

Draw-boxes, expansion joint boxes and round conduit boxes are to be provided where necessary. Sharp bends of any nature will not be allowed in concrete slabs.

Draw and/or inspection boxes shall be grouped under one common cover plate, and must preferably be installed in passages or male toilets.

All boxes, etcetera, are to be securely fixed to the shuttering to prevent displacement when concrete is cast. The conduit shall be supported and secured at regular intervals and installed as close as possible to the neutral axis of concrete slabs and/or beams.

Before any concrete slabs are cast, all conduit droppers to switchboards shall be neatly spaced and rigidly fixed.

8. WIRING

Except where otherwise specified in Part 2 off the specification, wiring shall be carried out in conduit throughout. Only one circuit per conduit will be permitted.

No wiring shall be drawn into conduit until the conduit installation has been completed and all conduit ends provided with bushes. All conduit to be clear of moisture and debris before wiring is commenced.

Unless otherwise specified in Part 2 of this specification or indicated on the service drawings, the wiring of the installation shall be carried out in accordance with the "Wiring Code". Further to the requirements concerning the installation of earth conductors to certain light points as set out in the "Wiring Code", it is a specific requirement of this document that where plain-end metallic conduit or non-metallic conduit has been used, earth conductors must be provided and drawn into the conduit with the main conductors to all points, including all luminaires and switches throughout the installation.

Wiring for lighting circuits is to be carried out with 1.5 mm² conductors and a 1.5 mm² earth conductor. For socket outlet circuits the wiring shall comprise 4 mm² conductors and a 2.5 mm² earth conductor. In certain instances, as will be directed in Part 2 of this specification, the sizes of the aforementioned conductors may be increased for specified circuits. Sizes of conductors to be drawn into conduits in all other instances, such as feeders to distribution boards, power points etcetera, shall be as specified elsewhere in this specification or indicated on the drawings. Sizes of conductors not specified must be determined in accordance with the "Wiring Code".

The loop-in system shall be followed throughout, and no joints of any description will be permitted.

The wiring shall be done in PVC insulated 600/1000 V grade cable to SABS 150.

Where cable ends connect onto switches, luminaires etcetera, the end strands must be neatly and tightly twisted together and firmly secured. Cutting away of wire strands of any cable will not be allowed.

9. **SWITCHES AND SOCKET OUTLETS**

All switches and switch-socket outlet combination units shall conform to the Department Quality Specifications, which form part of this specification.

No other than 16A 3-pin sockets are to be used, unless other special purpose types are distinctly specified or shown on the drawings.

All light switches shall be installed at 1.4 metre above finished floor level and all socket outlets as directed in the Schedule of Fittings which forms part of this specification or alternatively the height of socket outlets may be indicated on the drawings.

10. **SWITCHGEAR**

Switchgear, which includes circuit breakers, ironclad switches, interlocked switch-socket outlet units, contactors, time switches, etcetera, is to be in accordance with the Departmental Quality Specifications which form part of this specification and shall be equal and similar in quality to such brands as may be specified.

For uniform appearance of switchboards, only one approved make of each of the different classes of switchgear mentioned in the Quality Specifications shall be used throughout the installations.

11. **SWITCHBOARDS**

All boards shall be in accordance with the types as specified, be constructed according to the detail or type drawings and must be approved by the Department before installation.

In all instances where provision is to be made on boards for the Supply and install authority's main switch and/or metering equipment the contractor must ensure that all requirements of the authorities concerned in this respect are met.

Any construction or standard type board proposed as an alternative to that specified, must have the prior approval of the Department.

All busbars, wiring, terminals, etcetera, are to be adequately insulated and all wiring is to enter the switchgear from the back of the board. The switchgear shall be mounted within the boards to give a flush front panel. Cable and boxes and other ancillary equipment must be provided where required.

Clearly engraved labels are to be mounted on or below every switch. The wording of the labels in both official languages is to be according to the layout drawings or as directed by the Department's representative and must be confirmed on site. Flush mounted boards to be installed with the top of the board 2.0 metre above the finished floor level.

12. **WORKMANSHIP AND STAFF**

Except in the case of electrical installations supplied by a single-phase electricity Supply and install at the point of Supply and install, an accredited person shall exercise general control over all electrical installation work being carried out.

The workmanship shall be of the highest grade and to the satisfaction of the Department.

All inferior work shall, on indication by the Department's inspecting officers, immediately be removed and rectified by and at the expense of the electrical contractor.

13. **CERTIFICATE OF COMPLIANCE**

On completion of the service, a certificate of compliance must be issued to the Department's representative/agent in terms of the Occupational Health and Safety Act, 1993 (Act 85 of 1993).

14. **EARTHING OF INSTALLATION**

The type of main earthing must be as required by the Supply and install authority if other than the Departments, and in any event as directed by the Department's representative, who may require additional earthing to meet test standards.

Where required an earth mat shall be provided, the minimum size, unless otherwise specified, being 1.0 metre x 1.0 metre and consisting of 4 mm diameter hard-drawn bare copper wires at 250 mm centres, brazed at all intersections.

Alternatively or additionally earth rods or trench earths may be required as specified or directed by the Department's authorised representative.

Installations shall be effectively earthed in accordance with the "Wiring Code" and to the requirements of the Supply and install authority. All earth conductors shall be stranded copper with or without green PVC insulation.

Connection from the main earth bar on the main board must be made to the cold water main, the incoming service earth conductor, if any and the earth mat or other local electrode by means of 12 mm x 1.60 mm solid copper strapping or 16 mm² stranded (not solid) bare copper wire or such conductors as the Department's representative may direct. Main earth copper strapping where installed below 3m from ground level, must be run in 20 mm diameter conduit securely fixed to the walls.

All other hot and cold water pipes shall be connected with 12 mm x 0.8 mm perforated or solid copper strapping (not conductors) to the nearest switchboard. The strapping shall be fixed to the pipe work with brass nuts and bolts and against walls with brass screws at 150 mm centres. In all cases where metal water pipes, down pipes, flues, etcetera, are positioned within 1.6 metre of switchboards an earth connection consisting of copper strapping shall be installed between the pipe work and the board. In vertical building ducts accommodating both metal water pipes and electrical cables, all the pipes shall be earthed at each distribution board.

Roofs

Where service connections consist of overhead conductors, all metal parts of roofs, gutters and down pipes shall be earthed. One bare 10 mm² copper conductor shall be installed over the full length of the ceiling void, fixed to the top purlin and connected to the main earth conductor and each switchboard. The roof and gutters shall be connected at 15 metre intervals to this conductor by means of 12 mm x 0.8 mm copper strapping (not conductors) and galvanised bolts and nuts. Self-tapping screws are not acceptable. Where service connections consist of underground supplies, the above requirements are not applicable.

Sub-Distribution Boards

A separate earth connection shall be supplied between the earth busbar in each sub-distribution board and the earth busbar in the Main Switchboard. These connections shall consist of bare or insulated stranded copper conductors installed along the same routes as the Supply and install cables or in the same conduit as the Supply and install conductors. Alternatively armoured cables with earth continuity conductors included in the armouring may be utilised where specified or approved.

Sub-circuits

The earth conductors of all sub-circuits shall be connected to the earth busbar in the Supply and install board in accordance with SABS 0142.

Ring Mains

Common earth conductors may be used where various circuits are installed in the same wireway in accordance with SABS 0142. In such instances the sizes of earth conductors shall be equivalent to that of the largest current carrying conductor installed in the wireway, alternatively the size of the conductor shall be as directed by the Engineer.

Earth conductors for individual circuits branching from the ring main shall be connected to the common earth conductor with T-ferrules or soldered. The common earth shall not be broken.

Non-metallic Conduit

Where non-metallic conduit is specified or allowed, the installation shall comply with the Department's standard quality specification for "conduit and conduit accessories". Standard copper earth conductors shall be installed in the conduits and fixed securely to all metal appliances and equipment, including metal switch boxes, socket-outlet boxes, draw-boxes, switchboards, luminaires, etcetera. The securing of earth conductors by means of self-threading screws will not be permitted.

Flexible Conduit

An earth conductor shall be installed in all non-metal flexible conduit. This earth conductor shall not be installed externally to the flexible conduit but within the conduit with the other conductors. The earth conductor shall be connected to the earth terminals at both ends of the circuit.

Connection

Under no circumstances shall any connection points, bolts, screws, etcetera, used for Earthing be utilised for any other purpose. It will be the responsibility of the Contractor to Supply and install and fit earth terminals or clamps on equipment and materials that must be earthed where these are not provided. Unless earth conductors are connected to proper terminals, the end shall be tinned and lugged.

15. MOUNTING AND POSITIONING OF LUMINAIRES

The electrical contractor is to note that in the case of board and acoustic tile ceilings, *i.e.* as opposed to concrete slabs, close co-operation with the building contractor is necessary to ensure that as far as possible the luminaires are symmetrically positioned with regard to the ceiling pattern.

The lay-out of the luminaires as indicated on the drawings must be adhered to as far as possible and must be confirmed with the Department's representative.

Fluorescent luminaires installed against concrete ceilings shall be screwed to the outlet boxes and in addition 2 x 6 mm expansion or other approved type fixing bolts are to be provided. The bolts are to be $\frac{3}{4}$ of the length of the luminaires apart.

Fluorescent luminaires to be mounted on board ceilings shall be secured by means of two 40 mm x No 10 round head screws and washers. The luminaires shall also be bonded to the circuit conduit by means of locknuts and brass bushes. The fixing screws are to be placed $\frac{3}{4}$ of the length of the fitting apart.

Earth conductors must be drawn in with the circuit wiring and connected to the Earthing terminal of all fluorescent luminaires as well as other luminaires exposed to the weather in accordance with the "Wiring Code".

Incandescent luminaires are to be screwed directly to outlet boxes in concrete slabs. Against board ceilings the luminaires shall be secured to the bracing or joists by means of two 40 mm x No 8 round head screws.

16. DEPARTMENTAL MATERIAL

When certain materials are supplied by the Department to the contractor for installation, the contractor must arrange for taking delivery and providing safe storage for these materials.

The contractor will be held responsible for all damage to or loss of such material while it is in his custody.

17. DELAY

If the electrical contractor's work should cause any delay to the building operations, he will be held responsible for any claims arising out of such delay.

BROUGHT FORWARD: R_____

BROUGHT FORWARD: R _____

SUMMARY

The total tender price for this service must include all labour and material required for the proper execution of the work and shall be carried over to the Form of Offer & Acceptance DPW 07(EC) which must be returned together with this document.

A.	Amount for specification Bill Number 1: Preliminaries & General	R.....
B.	Amount for specification Bill Number 2: Gates Installations	R.....
C.	Amount for EPWP Requirements	R.....
	Sub-total	R.....
	Add:	
	Value-added Tax (15% VAT)	R.....
	Total carried forward to Bid Form DPW 07 (EC)	R.....

2220

BIDER'S SIGNATURE:

ADDRESS:.....

DATE:

PRICED SPECIFICATION:

A priced BOQ must be submitted with the Bid Offer.



public works
& infrastructure

Department:
Public Works and Infrastructure
REPUBLIC OF SOUTH AFRICA

**OCCUPATIONAL HEALTH AND SAFETY
SAFETY, HEALTH AND ENVIRONMENTAL
SPECIFICATION**

FOR

INSTALLATION OF SECURITY GATES

AT

WARRENTON SAPS

MANAGED BY

**THE DEPARTMENT OF
PUBLIC WORKS AND INFRASTRUCTURE**

Project Manager: Lerato Sebopetja

OHS Manager: Wendy Mbolekwa

1. INTRODUCTION

This Health and Safety Specification has been prepared in terms of Client's responsibility [Construction Regulation 5(1)] to provide the principal Contractor and Contractors with a documented Specification of all Health and Safety requirements pertaining to the associated works on the proposed construction site/so as to ensure the health and Safety of all persons affected by the works. This health and Safety specification highlights, but in no way replaces legal requirements that the principal Contractor and Contractors are bound to comply with in terms of the Department of Public Works program.

- The client has made provisions in the tender for the Principal Contractor to price for the cost of health and safety measures before and during the construction process [Construction Regulation 5(1)(g)]. The Principal Contractor in turn needs to make the same provision when Contractors (Sub-Contractors) tender or quote on work [7(c)(1)].
- The principal Contractor and Contractors are required to prepare a Health and Safety plan based on the Client's health and Safety Specification, which shall be applicable from the date of commencement of and for the duration of work [Construction Regulation 7(1)(a)]. This documented plan must be based on a Hazard Identification and Risk assessment (HIRA) which will serve to identify the hazards, and their associated risks, anticipated for the scope of works [Construction regulation 9].

Principal Contractor tendering must provide the client with an appropriate Preliminary Hand Safety Plan (including a Preliminary Hazard Identification and Risk Assessment) as in Construction Regulation 5(1). This plan must be submitted with the tender.

2. APPLICATION

The Health and Safety specification contains clauses that are applicable to occupational health and safety in construction and the document is intended to impose pro-active controls associated with the activities, plant machinery and other aspects of the proposed construction work that impact on health and safety of persons, by means of a documented H&S Plan prepared by Principal Contractors.

Compliance to the requirements of the OHS act and relevant legislation is in addition to the requirements of the H&S Specification and forms parts of the Principal Contractor's responsibility. The Client and Client's agents will monitor the Principal Contractor to ensure that the Principal Contractor and Contractors comply with the requirement of OHS Act and will not prescribe to the Principal Contractor how such compliance is to be achieved.

3. PURPOSE

The purpose of the Health and Safety Specification is to provide the Principal Contractor and Contractor's tendering for the proposed construction work and /or appointed for the above mentioned construction work with the necessary detail of all health and safety requirements, and hazards pertaining to the associated scope or works, so as to enable the principal Contractor and Contractors to develop a Health and Safety Plan-to be implemented on site in order to ensure the health and safety of all persons while undertaking the said works.

4. REFERENCE DOCUMENTS AND HEALTH AND SAFETY STATUTORY REQUIREMENTS

The following Acts and Regulations are referred to in this document followed by their abbreviations in brackets. Note that this is not an exhaustive list and other documents may be referred to if necessary in order to compile **your Site Specific Health and Safety plan**:

4.1 Occupational Health and Safety Act,(Act No.85 of 1993)-[OHSA] and Regulations as follows:

- Construction Regulations[CR]
- General Administrative Regulations[GAR]
- General Safety Regulations[GSR]
- Environmental Regulations for Workplaces[ERW]
- General machinery Regulations [GMR]
- Hazardous Chemical Substances Regulations[HCSR]
- Electrical Installations Regulations[EIR]
- Electrical Machinery Regulations[EMR]
- Pressure Equipment Regulation [PER]

4.2 Compensation for occupational Injury and Diseases Act-[COIDA]

4.3 South African National Standards, SANS 10147:2014

4.4 Act, Regulations and site safety rules applicable to Department of Public works Construction Sites.

With regards to workplace health and safety, the following Acts, Regulations and safety rules shall apply to all Department of Public works Construction Site and must be fully complied with at all times by all contractors on site:

- Occupational Health and Safety Act(85 of 1993) and Regulations
- Compensation for Occupational Injuries and Diseases Act and Regulations
- This Health and Safety Specification
- Any other relevant statutory laws, including Municipal By-laws where applicable
- As well as any amendments that may arise from time to time;
- As well as any draft amendments to legislation-it is good practice to comply

4.5 Contractor's General Requirements for Health and Safety

4.5.1 The contractor shall be solely responsible for carrying out the work under the contract.

4.5.2 The contractor shall have the highest regards for health and safety of its employees, the Company and any persons at or in the vicinity of the site. This regard shall extend to include the works, temporary work materials, the property of third parties and any purpose relating to the contractor carrying out its obligations under the Contract.

4.5.3 The contractor shall initiate and maintain safety programmes to conform to all applicable safety and health laws or other requirements, including ground rules, and the project health and safety specification.

- 4.5.4 The contractor shall, at its own cost, erect and maintain safeguards for the protection of workers and public.
- 4.5.5 The contractor shall manage all reasonably foreseeable hazards created by performance of the work under the contract.
- 4.5.6 Provide all things and take all measures necessary for maintaining proper personal hygiene, ensuring safety of persons and property and protecting the environment at or near the site.
- 4.5.7 Avoid unnecessary interference with the passage of people and property at or near the site.
- 4.5.8 Prevent nuisance and excessive noises and unreasonable disturbances in performing the work under Contract.
- 4.5.9 Be responsible for the adequacy, stability and safety of all of its site operations, of all its methods of design, construction and work and be responsible for all of the work, irrespective of any acceptance, recommendation or consent by the Client, its Contractors, employees, agents and invitees, or any Government body.
- 4.5.10 The contractor shall comply, and shall be responsible for ensuring that all of its subcontractors comply, with the relevant statutory regulations for safety and the Client's requirements included in the contract.

4.6 Site Rules for Contractor

The site rule for contractors' document is the minimum standard with regard to specifications for construction work on this site. Contractors may have existing standards for each specific trade, but where conflict may arise between the contractor's and these Site rule for contractors, the more stringent shall apply.

4.6.1 Rules of Conduct

Contractors and all employees under their control, including any visitors brought onto site must adhere to the following Rules of Conduct on Site:

- Partake of ,possess or sell drugs or alcoholic beverages on site. Any employee or visitor whose actions and demeanour show symptoms of possible narcosis or drunkenness shall be removed from site.
- Indulge in practical jokes, horseplay, fighting or gambling.
- Make use of water from fire hydrants.
- Destroy or tamper with safety devices, symbolic signs or wilfully and unnecessarily discharge fire extinguisher.
- Bring onto site or have in your possession a firearm, lethal weapon ,camera, or any other recording device, unless authorised to do so
- Assault, intimidate or abuse any other person
- Operate construction equipment (vehicle or plant) without the necessary training and authorisation.
- Display insubordination toward any supervisor, foreman or manager in respect to carrying out of properly issued instructions or orders for health and safety reasons.
- Negligently, carelessly or wilfully cause damage to property of others.
- Refuse to give evidence or deliberately make false statements during investigations.

- Enter into any areas where you have no business unless authorised to do so by the person in charge.
- Brig animals onto site.

Insubordination towards any foreman, supervisor or manager could lead to removal from site and or dismissal and or prosecution. Except insofar as the principles of common law, or conditions as determined by any relevant statutes are concerned, the decision of the Client or his agent shall be final and binding in respect of any disputes that may arise from the interpretation of these rules.

5 Definitions

The following definitions apply.

For the purpose of the General Health and Safety Specification, the abbreviations or definitions given hereunder shall apply:

“CR” refers to the Construction Regulations, 2014

“GHSS” refers to this document (the General Health and Safety Specification (including any project specific annexures that the engineers and designers could attach.

“OHSA” refers to the Occupational Health and Safety.

“S” refers to a section in Occupational Health and Safety Act of 1993.

“H&S” refers to Health and Safety.

“Client” Department of Public Works

Incident; means any unplanned event that causes, or has the potential to cause, an injury or illness and/or damage to equipment, buildings, plant or the natural environment. Incident range from near miss incidents to serious incidents and emergencies.

“Near Miss” means an incident which has the potential to cause an injury or illness or damage to company.

“Regulations” means, specifically, the Construction Regulations, 2003 as issued on 18 July 2003, under the Occupational Health and Safety Act of 1993, but not excluding the other applicable regulations existing under the Act.

“Site” means the lands and other places, made available by the Municipality or the Client for the purposes of the Contract, on under over in or through which the construction work is to be executed or carried out.

“Principal Contractor” and contractor shall be as defined in the Regulations.

Construction Work [CR1]:

Means any work in connection with-

- a) The erection, maintenance, alteration, renovation, repair, demolition or dismantling of or an addition to a building or any similar structure.
- b) The installation, erection, dismantling or maintenance of a fixed plant where such work includes the risk of a person falling.

- c) The construction, maintenance, demolition or dismantling of any bridge, dam canal, road, railway, runway, sewer or water reticulation system or any similar civil engineering structure; or
- d) The moving of earth, clearing of land or making of an excavation or work on any similar type of work.

Hazard, Identification, Risk assessment and risk control (HIRA)

Means a documented plan, which identifies hazards assesses the risk and detailing the control measures and safe working procedures, which are to be used to mitigate and control the occurrence of hazards and risks during construction or operation phases.

Site

Means the area in possession of the Contractor for the construction of the works. Where there is no demarcated boundary it will include all adjacent areas, which are reasonably required for the activities for the Contractor, and approved for such use by the client.

Hazards

Means a source of or exposure to danger (source which may cause injury or damage to persons, or property)

Risk

Means the probability or likelihood that a hazard can result in injury or damage.

Construction Supervisor [CR 8(1)]

Means a full time, competent employee appointed in writing by the Contractor to supervise construction work. The appointment, as required by OHSA, shall stipulate health and safety responsibilities, area of responsibility and the proposed duration of the project.

Hazardous Chemical Substance (HCS)

Means any toxic, harmful, corrosive, and irritant or asphyxiate substance, or mixture or substance for which an occupational exposure limit is prescribed, or an occupational exposure limit is not prescribed but which creates a hazard to health.

Construction Plant

Encompasses all type of plant including but not limiting to, cranes, piling frames, boring machines, excavators, dewatering equipment and road vehicles with or without lifting equipment

Contractor [CR 1]

Means an employer who performs construction work and includes principal contractors and sub-contractor.

Health & Safety Plan (HSP) [CR 1]

Means a documented plan, which addresses hazards identified and includes safe work procedures to mitigate, reduce or control the hazards identified

The plan shall be applied from the date of commencement of and for the duration of construction work [CR 5(1)]

Health and Safety File (HSF) [CR1]

The file holding all documentation and records on health and safety for the project, which shall be available at all times for evaluation, and copy of which will be forwarded to the client upon completion of the project.

Disabling Injury Frequency Rate (DIFR)

The number of disabling injuries multiplied by a constant (man hours relative to period worked divided by total man hours worked over a rolling period (usually 12 months, but can be less).

Disabling Injury Severity Rate (DISR)

The number of days lost due to (DI's) multiplied by a constant (man hours relative to period worked) divided by total man hours worked over a rolling period (usually 12 months, but can be less).

Confined Space

An enclosed, restricted or limited space in which, because of its construction, location or contents, or any work carried on therein, a hazardous substance may accumulate or an oxygen deficient atmosphere may occur, and includes any chamber, tunnel, pipe, pit, sewer, container, valve, machinery or object in which a dangerous liquids or dangerous concentration of gas, vapour, dust or fumes may be present.

6. Responsibility of Contractors for Construction Work [CR 4, 7, 8]

6.1 Notification of Intention to Commence Construction Work [CR 4]

The principal contractor shall notify the Provincial Director of the Department of labour before any work commences, in accordance with the following requirements:

- The demolition of a structure exceeding a height of 3 meter; or
- The use of explosives to perform construction work; or
- The dismantling of fixed plant at height greater than 3 meters; or
- The work exceeds 30 days or will involve more than 300 person days of construction work; and
- Includes excavation work deeper than 1 meter; or
- Includes working at height greater than 3 meters above ground or landing.

The notification and submission to the local Department of labour must be done on a form similar to that shown in **Annexure A** of this document and a copy of the completed form kept in the HSF for inspection by inspector, the client or an employees

6.2 Principal Contractor's Responsibilities [CR 7]

6.2.1. Compile a HSP [CR 7]

6.2.2. Ensure co-operation between all contractors [CR 7(c), to comply with the Act

6.2.3. Ensure compliance to the Act in terms of [CR 5(v)]

- a) Provide relevant sections of these specifications to contractors as required
- b) Appoint each contractor in (a) above in writing. Only contractors who have the necessary competencies and resources may be appointed [CR 7(c) (iii)]
- c) Ensure each contractor's HSP is implemented and maintained on site
- d) Stop any contractor from work which is not in accordance with HSP's or which pose a threat to health and safety of persons
- e) Sufficient information is provided to contractors where there are changes to design and construction
- f) Ensure every contractor is registered an in good standing with the Compensation Commissioner

- g) Ensure potential contractors have made provision for the cost of health and safety measures.
- 6.2.4** Negotiate and approve the HSP of each contractor [CR 7(0)]
- 6.2.5** All HSP's including the principal contractor's to be available on site [CR 7(b)]
- 6.2.6** All HSF's including the principal contractor's to be available on site [CR 7(d)]
- 6.2.7** A consolidated HSF to be handed over to the client on completion of construction including records of drawings, designs etc. [CR 7(e)]
- 6.2.8** HSF to include updated list of all contractors, the agreements and their type of work [CR 7(f)]

6.3 Contractor's Responsibilities [CR 7] (including sub-contractors)

- 6.3.1 Provide their HSP to the principal contractor[CR 7(2)]
- 6.3.2 Where a contractor appoints another contractor(sub-contractor) it is the responsibility of that contractor to apply 4.2 above as if he were the principal contractor [CR 7(3)]
- 6.3.3 No contractor to appoint another contractor(sub-contractor) unless the latter has the necessary competency and resources to perform the required work [CR 7(3)]
- 6.3.4 To provide any information which affects the health and safety of any persons at work to the principal contractor

6.4. Supervision of Construction Work [CR 8]

The appointments embodied in this regulation are as follows:

- 6.4.1 Construction supervisor [CR 8(1)]
- 6.4.2 Assistant Construction Supervisor [CR 8(2)]
- 6.4.3 Safety Officer [CR 8(5)] or Safety Representative OHS Act S17 (1)

The detailed requirements of these appointments can be found under the relevant regulation.

The contractor shall appoint a dedicated competent Safety Officer who will perform his duties at the work Site for the duration of the work under the Contract.

6.5. Legal Appointments

The principal contractor shall ensure copies of the appointment letters of all responsible persons appointed on site will be kept in the HSF. All legal appointments shall be conducted in accordance with the requirements set out in the OHSA and as per this specification. The tables below set out the appointment protocols for CR and OHSA.

NB: It should be noted that these represent complete lists and not all these appointments may be required.

6.5.1

The responsibilities of each appointment are detailed in the relevant form, which are signed by both the authorised person and the appointee and kept in the Health and Safety File. an example of an appointment form for a Construction Supervisor can be found under Annexure B.

7. Documentation and Procedures

All required HSE documentation for the construction work, shall be kept in the HSF, which shall be available on site. The Construction Supervisor shall be responsible for the file and the Project manager shall ensure that documentation is valid and up to date. The procedures to be used for the project are to be in accordance with contractor policy and as per the outcome of the HIRA exercise. It is required that the documentation is filled in an orderly fashion for easy access. The following sections are suggested:

- Policy permits etc.
- Health & safety plans, specifications
- Appointments
- Incidents management
- Inspection check lists
- Risk assessments
- Training
- Safe work Procedure
- Hazardous Chemical Substances

8. Application of COIDA and OHS Act to Construction Work

8.1 Compensation of Occupational Injuries and Diseases Act, Act No.130 of 1993(COIDA)

Every contractor shall provide proof of registration and letter of good standing with the Compensation Commissioner.

8.2 Occupational Health and Safety Policy [OHS Act 7]

Every contractor's OH&S Policy statement should be available for security and as evidence of their commitment to their employees' occupational health and safety

8.3 Health and Safety Training and Competency

Training of personnel is a necessity and a legal requirement when required. A record of all training shall be kept and provided on request.

8.3.1 Induction Training

The principal contractor shall be responsible for the induction of all personnel entering the site including visitors, inspectors etc. Contractors doing specific construction work shall be responsible for the induction of their employees with respect to that specific work. Records to be kept of all personnel that undergo induction training.

8.3.2 Awareness Training

In addition, the client would favour awareness training to be carried out such as weekly Toolbox Talks on relevant topics e.g. wearing PPE, manual lifting, safe use of portable electric tools etc.

8.3.3 Competency and CV's

Where applicable, valid copies of certificates of competency of appointed personnel to be provided and kept in the HSF. Other training requirements such as those identified through the HIRA process, to be completed and proof of that training also kept in the HSF. Where competency is achieved through experience, a brief CV will be required.

8.3.4 Specific OH&S Training

Valid certificates of training from registered service providers preferably accredited by the appropriate SETA are required for First Aiders, H&S Reps, Fire Marshals, Fire Equipment Inspector etc.

8.3.5 Medical Fitness

All work in elevated positions [tower crane operators (CR 20(g)), workers on elevated structures requiring fall protection (CR 8 (2b)), suspended platform workers (CR 15(12a))] and operators of construction vehicles and mobile plant (CR 21(d)) require certificates of physical and psychological fitness.

Valid certificates of training from registered service providers preferably accredited by the appropriate SETA are required for First aiders, H&S reps, Fire Marshals (CR 221 Fire Equipment Inspectors) etc.

8.4 Hazards and Potential Hazardous Situations [OHSA 13]

The principal contractor is responsible to ensure that all contractors and any visitors are warned of any hazardous or potentially hazardous situations, which may affect them on site and shall put any additional measures in place to assist in mitigating the risk of these hazards.

8.5 Health and Safety Reps [OHSA 17 and 18]

The principal contractor shall be responsible to ensure compliance to this section of the OHSA as required and to ensure similar compliance of all contractors. If a rep is not required, the appointed Safety officer will be responsible for these functions.

8.6 Health and safety Committee [OHSA 19 &20]

The principal contractor shall be responsible to ensure compliance to this section of the OHSA as required. If a committee is not convened, health and safety matters will need to be tabled and discussed at site meetings.

8.7 General Record Keeping

The principal contractor shall ensure that all Health and safety records, required by OHSA and Regulation are kept for reference purpose and auditing.

8.7.1 Inspections

The principal Contractor shall keep all records of inspections undertaken during the contract. An assessment will need to be made of what inspections are required and their frequency. The principal contractor is also responsible to ensure compliance to this requirement by all contractors

8.7.2 Audits [CR 5(o) and 5 (p)]

The client's agent shall carry out regular audits on the principal contractor at least once per month. Similarly, principal contractor shall be responsible for carrying out regular audits on their contractors at least once per month. The results shall be tabled for action and discussed at health and Safety Committee meetings or site meetings as appropriate.

8.8 Incident Management and Emergency Plans

The principal contractor shall create and Emergency Plan for the construction site. The plan shall be clearly laid out for all types of emergencies including responsibilities, evacuation routes, siren, emergency no's etc. The plan shall fully explain to all personnel during the induction training. All contractors will become completely familiar with the requirements of the plan and will participate in any evacuation drills that may take place.

8.8.1 First Aid [GSR 3]

The principal contractor shall be responsible to ensure compliance to this regulation as required. In particular, a first aid box with the minimum stock as specified in the regulation will be located at the site office and there will be signage to indicate the location of the box. Attention is drawn to GSR 3(4) for the requirement of trained first aiders. It is also suggested that a trained first aider be made responsible for the box in terms of the following:

- Security-the box should not be left open but it must be accessible in case of emergency(spare key availability)
- Injuries – a record of first aid box injuries treated and the stock issued.
- Stock- regular inspection to maintain stock levels and check expiry dates

In addition, the first aid requirement should be noted for high risk substances or hazardous chemical substances and if these are to be used, then it should be addressed in the HIRA and the need for eye wash facilities assessed.

NOTE: It is strongly recommended and good practice to comply with the Draft Health and Safety Regulation 7

8.8.2 Incidents and Injuries-Investigation and Reporting

The principal Contractor will ensure there is a management system to report and investigate all incidents. All incident including all near miss, first aid box treatment, and all other serious incidents involving any form of disabling injury or fatality are to be reported to the Client and the Clients H&S Agents telephonically immediately. This shall be confirmed in writing as soon as possible after the incident. Failure to comply with these provisions will be considered as serious offence. Recording and Investigation of Near Miss.

Incidents

The principal Contractor shall provide evidence by means of a procedure or chart that he is fully aware of the hierarchy of incidents that can occur e.g. unsafe situations, near miss first aid box injuries, medical cases, disabling injuries etc. He shall keep an incident register of all such incidents, investigate and apply corrective action where required. The client also reserves the right to request incident statistics from the principal contractor such as Di's DIFR and DISR and it is advised that these are maintained.

Injuries

First aid box injuries have been addressed under 8.7.1 above. More serious injuries requiring transport of the injured person to the nearest hospital or doctor or the calling of an ambulance and paramedic personnel will be the responsibility of the principal contractor's appointed personnel such as the Construction Supervisor, First Aider, and Safety Officer. It is advised that all required emergency numbers be on hand and prominently displayed.as all contractors are registered an in

Good Standing with the Compensation Commissioner, it will be the responsibility of the contractor whose employee has been injured; too make the necessary report and claims to the Commissioner.

8.8.3 Accident and Incident Reporting and Investigation [OHSA 24, GAR 8, 9(1) & (2)]

Should an incident or accident investigation need to be conducted, a competent person shall be appointed to conduct the said investigation. The procedure to be followed will be in accordance with Annexure 1 of GAR 9-“Recording and Investigation of incidents”. Particular attention is also drawn to OHSA 24, reporting of certain incidents to an inspector of the department of labour. The principal contractor shall ensure that the investigations are kept for record purposes and he shall ensure that the outcome of the investigation is communicated to all affected parties as required i.e. the Client, Clients H& S Agent and contractors. The Client reserves the right to participate in all investigations into accidents or incidents and to conduct their own investigation if required.

8.9 Contractors and Suppliers

The client shall enter into an Agreement with Mandatory in terms of Section 37(2) of the OHS Act 85 of 1993, with all appointed principal contractors. Likewise all principal contractors shall enter in to a similar agreement with all contractors, sub-contracted to them for any period of the contract. Please note that if contractors hire any construction vehicle or mobile plant, the companies from which the equipment is hired must provide any maintenance and test certification as required. In addition, if operators are hired with the equipment, proof of competency and medical certification must be provided.

The principal Contractor shall ensure that all contractors are issued with this safety specification where *reasonable*. The principal contractor shall assist and ensure that contractors engaged comply with all of these requirements and adhere to the requirements set out OHSA .Contractors will be stopped from working in the event of unsafe conditions and activities being observed. All contractors shall be subject to the requirements specified in the HSP and will be issued with a copy of the plan. If the contractor is not able to comply with the requirements set out in the plan, he shall not be appointed as contractor.

8.10 Personal Protective equipment, Intoxication, Signage and Access Control [GSR 2]

8.10.1 Personal Protective Equipment (PPE)[GSR 2]

The principal contractor shall through the Risk Assessment process identify the specific PPE needs per activity. Contractors, as employers, will be responsible for the issue of the required PPE. Should PPE be lost or stolen, then the employee will be issued with new PPE. Should PPE be worn out or damaged, the user shall return the worn or damaged PPE and will be issued with a replacement. Training in the use of this shall be provided. Visitors shall be informed of PPE requirements prior to their visit so that they may enter the site.

8.10.2 Intoxication [GSR 2A]

The principal contractor shall be responsible to ensure that no persons may enter or remain at the construction site if under or apparently under the influence of intoxicating liquor or drugs.

8.10.3 Display of signs [GSR 2B]

The principal contractor should make use of signage to assist in enforcing compliance to any requirement specified in this document or as required by law. Standard symbolic signs are acceptable for conveying these requirements where applicable.

8.10.4 Access control [GSR 2C]

The principal contractor shall be responsible to ensure control of access to all persons entering the construction site. The reason for this is as follows;

- The principal contractor is the employer on the site and all intents and purposes is responsible for section 8 of OSHA of employees and contractors and section 9 for any other person on site such as visitors and inspectors
- All persons entering the site must undergo induction training to inform them of the hazards present on site. This includes contractors, visitors, inspectors etc.
- The construction supervisor will be aware of who is on site and their function
- The construction supervisor will be able to control tasks that may impact on other work being carried out on the site by a permit to work system.
- The number of people and their purpose on the site must be known in case of emergency and evacuation
- Security reasons

8.11 Ladders [GSR 13A]

The following requirements shall be complied with regarding Ladders and Ladder Works:

- A competent person shall be identified and appointed as ladder inspector
- Where aluminium ladders cannot be used, then wooden ladders shall be straight grained, unpainted to allow for proper inspection of the grain for cracking
- Ladders shall be secured at the top and choked at the base to prevent slipping.
- Where choking of the base is not possible, then the user shall ensure that the ladder is held in position by another employee when ascending the ladder.
- Ladders shall be inspected a minimum once per month by the person appointed as the ladder inspector.
- Proper storage shall be provided for all ladders when not in use.

8.12 Pressure Equipment Regulations, 2009(Gas Bottles) [PER 2009]

If gas bottle sets (Oxy-Acetylene for heating, cutting, welding) are used, these regulations, as required, shall be adhered to. Regular inspection of the sets shall be carried out. In particular;

- Only trained personnel shall operate such equipment.
- The construction Supervisor shall ensure operation of the equipment is in accordance with the HIRA requirements and Safe working Procedure (SWP) and /or method statement.
- All users shall undergo regular awareness training (toolbox) to ensure compliance.
- The Construction supervisor shall ensure the required PPE is used.

8.13 Portable Electric Tools [EMR 9]

This regulation shall be complied with as a minimum requirement. Regular inspections of all Portable Electric Tools such as drill, angle grinder's etc. shall be carried out. In particular:

- Only trained personnel shall operate such equipment.

- The Construction Supervisor shall ensure operation of the equipment is in accordance with the HIRA requirements and Safe working Procedure (SWP).
- All users shall undergo regular awareness training (toolbox talks) to ensure compliance.
- The Construction Supervisor shall ensure the required PPE is used.

8.14 Permit to work [including hot work]

The principal contractor shall be responsible to ensure that:

- All work being carried out on site has been approved through the necessary project control system.
- Permit require from third parties such as vetting for security clearance
- A permit system is operational so that work consisting of many tasks related to the construction on site, can be carried out without endangering the health and safety of personnel on site, neighbours and the public surrounding the site and or causing damage to property.
- In particular, attention is drawn to GSR 9, which details the requirements for welding, flame cutting, soldering and similar operations.

8.15 Environmental Rules

The contractor shall give effect to maintain all safeguards and standards and take such measures as may be necessary for the protection of the environment.

8.15.1 Clearing

The contractor shall comply with the following conditions and requirements for clearing:

- Follow the Occupational health and Safety Act, the Environmental Regulations for workplaces and Project EMP.
- Areas to be cleared will have boundaries clearly marked by tape, pegs or other means and will conform to limits on design drawings.
- No clearing is to occur without a written permit from the Engineer.
- Clearing will not commence until drainage control works are in place.
- Cleared vegetation should be windrowed along the contour to assist with erosion control.
- Any area which is not to be disturbed under requirements of the Cultural Heritage management Plan will be clearly identified.
- Vegetation clearance will be restricted to that necessary for the works.
- The Engineer is to be notified immediately if contaminated soil is discovered.
- Traffic shall be confined to maintained tracks and roads.
- Particular care shall be taken to minimise disturbance to the bed and banks of watercourses.

8.15.2 Noise and Vibration

The contractor shall ensure that each of its mobile and fixed plant and that of its subcontractor' are fitted with appropriate noise suppression equipment to ensure that noise levels from such plant are contained within the relevant limits prescribed by relevant industrial safety and environmental legislation, regulations and site standards. If there is a noise problem with electrical power generating equipment, compressors, or other facilities under the control of the contractor, additional noise suppression shall be erected by the Contractor at the Contractor's cost around the offending unit(s). Any deviation from the above listed practices is to be rectified at the Contractor's cost.

8.15.3 Transport, Storage and Handling of Hazardous Substances and Dangerous Goods

The contractor shall comply with the following conditions and requirements for storing and handling hazardous and dangerous goods:

- Comply with HCS Regulations 14. The storage and handling of flammable and combustible liquids.
- Provide a list of hazardous substances and corresponding MSDS prior to bringing substances on Site.
- Substances register to be held at each storage facility.
- Corrosive materials to be stored and handled in accordance with HCS Regulation 14.
- Fuels, oils and substances in containers of 200 litres or more shall be stored in a bunded area with capacity of at least 110% of largest container/tank.
- Fuel, oils and substances in less than 200 litre drums shall be stored as above or in a fenced and roofed compound.
- All fuels, oils and substances must be clearly labelled.
- Transfer of bulk fuel and handling of hazardous substances shall be conducted only by appropriately trained personnel
- Spill clean-up kits including absorbent materials shall be kept at each storage facility.

8.15.4 Erosion and Oil Traps

The Contractor shall comply with the following conditions and requirement for erosion, sedimentation, silt and oil traps:

- Land disturbance will be restricted to that necessary for the works.
- Topsoil will be salvaged for use in rehabilitation
- Storm water from upstream catchments will be diverted away from construction areas.
- Drains will be protected to prevent scouring if necessary.
- Sediment traps, silts fences or hay bales will be installed to control sediment where necessary and where directed by Engineer.
- Sediment traps will be cleaned periodically.

8.15.5 Dust Prevention

The contractor shall comply with the following conditions and requirements for air quality and dust:

- Dust generated by construction activities will be suppressed by water spraying, to levels that are safe for Site personnel.
- Speed limits on unsealed roads will be limited to a maximum speed consistent with the minimisation of dust generation.
- Earthworks Supervisors must pay particular attention to the management of topsoil stripping such that dust does not become a safety hazard or severe nuisance.
- All dust complaints will be investigated promptly and appropriate action initiated to reduce nuisance.

8.15.6 Waste Management

- The contractor shall provide suitable rubbish receptacles at the Site and shall ensure that all litter is collected in them and properly disposed of off Site in accordance with the requirements of the relevant statutory requirements
- The contractor shall ensure proper collection and off-site disposal of all industrial wastes in accordance with relevant statutory requirements.

- The contractor shall apply the principles of Waste Minimisation by reducing the amount of waste generated on Site by their operations and activities as much as possible. The contractor shall provide for cycling of glass, metals, plastics and papers.

8.15.7 Weed management

The contractor shall comply with the following conditions and requirements for weed management:

- Contractors shall ensure that all machinery, equipment and vehicles are washed down at a wash facility before the Site and again when leaving the site.
- Plants and soil shall not be removed from Site without authorisation.
- Soil or other material shall not be brought onto Site if it has originated from an area known to contain environmental weeds or declared weeds under the Rural land Protection act 1995.
- Areas disturbed or rehabilitated as part of a Contract will be inspected upon completion of the works. The Contractor shall eradicate any declared weeds found.
- Seeds used in rehabilitation shall be free of declared weeds
- Control measures (including use of herbicides) must be consistent with manufacture's recommendations, safe practice and recommendations in the Department of natural Resources Pest Fact series.
- Include information on the importance of weed control inductions.

Any deviation from the above listed practices is to be rectified at Contractor's cost

8.15.8 Found Object

All fossils, coins, articles, minerals of commercial value and objects of antiquity and structures and other remains and things of archaeological interest discovered at the Project site shall be deemed to be the absolute property of the Company. The Contractor shall take reasonable precautions to prevent the Contractor's employees, subcontractors and the employees of subcontractors and any other persons from removing and damaging any such article and thing and shall immediately upon discovery thereof acquaint the Engineer of such discovery and carry out, at the expense of the company and at the engineer's direction, the protection and or disposal of same,.

8.16 Monitoring, Audit and Review

- The Client's Agent/DPW Safety Manager shall have the right to conduct audits/inspections of the Contractor's operations, equipment and procedures at any time, and the Contractor shall fully co-operate with the client's agent during such audits/inspections.
- The client's agent rights under this clause shall not relieve the contractor of its obligations to conduct audits and reviews of its own safety and health performance.
- Where such Client's Agent/DPW Safety Manager audits reveal deficiency in the Contractor's procedure equipment, training, drills, etc. the contractor shall rectify such deficiencies as soon as practicable, and provide to the Client's agent a status report on all outstanding corrective actions. Where such deficiencies include an unsafe practice or breach of the Statutory or the Contract's requirements, the Client's Agents/DPW Safety Manager may in accordance with the general Conditions of Contract suspend the work associated with the unsafe practice or breach until the deficiency is rectified.

8.17 Penalties and Fines

Any contractor employees who is found not adhering to the ESH specification, Site Ground Rules, ESH Plan or any other statutory requirement, or who is observed committing unsafe acts or contributing to unsafe conditions will be issued with a Non-Conformance Report and the relevant Contract will be issued a fine according to the scale of fines nominated below.

Contractor employees will also be reprimanded as per the relevant company HR procedures:

- First transgression constitutes a **verbal warning**.
- Second transgression constitutes a **written warning**.
- Third transgression constitutes a **full disciplinary hearing** according to the company' HR procedures
- Any life-threatening unsafe act or unsafe condition must be treated as a Gross Neglect of Company Environmental, safety and Health Rules and Procedures and Disciplinary hearing shall be conducted to determine the root cause of the incident and the appropriate action which must be taken to prevent the similar unsafe situation from occurring in the future.

Copies of Non-Conformance Reports (NCR) and disciplinary hearings must be kept on record on the OHS File.

8.17.1 Offences and Penalties

All offences and penalties will be dealt according to CR (33)

9 Applications of the Construction Regulations [CR]

[Please note; this is the complete list. Item 9.1 is compulsory and the rest are applicable if relevant to the work being carried out]

9.1 Hazard Identification, Risk assessment and Risk Control (HIRA) [CR 9]

The contractor shall prior to the commencement of any construction work perform a HIRA exercise which will form part of the HSP and file for the project. A copy of HIRA shall be made available for viewing to the client's OHS agent and shall be kept in the Health and Safety File.

NB: The contractor shall ensure that the outcome of all HIRA exercises will be conveyed to all relevant employees with respect to the hazards and the related control measures before any work commences.

Below is the list of activities, which may be considered for HIRA if the activity is to be carried out on site. The list is not exhaustive but gives examples of activities for a construction site:

- Site security and access.
- Traffic management-restrictions etc.
- Activities that affect adjacent sites.
- Lifting operations such as offloading and moving equipment.
- Lifting equipment such as offloading and moving equipment
- Stacking, storage of equipment and materials, and good housekeeping.
- Use of hand tools
- Use of portable electric equipment(power tools)
- Use and storage of flammable and hazardous chemicals such as paint, adhesives, solvents, thinners, cement etc.

- Scaffolding.
- Painting.
- Welding.
- Electric installations.
- Mechanical installation.
- Waste management including removal of hazardous waste.
- Environmental restraints such as boundary noise and dust.
- Temporary site accommodation.
- General hazards to site personnel such as cleaning noise and dust.

The control of several of these risks may be specified in the OHSA or the CR but this does not mean that the HIRA exercise does not have to be carried out.

9.6 Construction vehicle and mobile plant [CR 23]

It will be the responsibility of each contractor on site to ensure compliance of their construction vehicles and mobile plant to these regulations.

This includes vehicles to be used for transporting personnel to and from site, which will be subject to relevant requirements such as licensing and roadworthiness checks. In addition the following will apply:

- Safe transport for personnel working on the project to and from the workplace, which shall include proper seating, side restraints and cover.
- Road safety principles shall be adhered to on and off site.

If a mobile crane or other mobile plant is hired, only approved hire companies shall be contracted to provide such equipment. The Construction Supervisor shall ensure compliance of the provider to these regulations. In particular attention is drawn to the competence and fitness of the operator [section 1(d)] and the inspection of the equipment [section 1(j)].

9.7 Electrical Works [CR 24], including [EIR] and [EMR]

The requirement of these regulations shall be met as required by the appointed electrical contractor. Competent person will be appointed for inspection and control of all temporary electrical installations as per CR 24(d) and (e) respectively.

The person /Contractor who does electrical installation work as an electrical contractor shall be registered as an electrical contractor in terms of electrical Installations Regulations.

9.8 Use and storage of flammable liquids [CR 25], and hazardous chemical substances [HCSR]

All the requirements of CR 16 shall be met.

In terms of HCSR, contractors shall ensure that all hazardous chemicals brought to site have Material Safety Data Sheet (MSDS) and the users are made aware of the important sections of the MSDS such as:

- Hazards
- First aid measures
- Fire fighting measures
- Accidental release measure

- Handling storage
- Exposure control especially PPE
- Disposal

First aider shall be made aware of the MSDS and how to treat HCS incidents appropriately. Copies of MSDS's will be available on site and in the HSF.

9.9 Housekeeping [CR 27] including [ERW (6)]

All contractors shall ensure that housekeeping standards as per these regulations shall be maintained at all times.

9.10 Stacking and Storage of Materials [CR 28] including [GSR (8)]

All contractors shall ensure that materials are only stored in defined and allocated storage areas and that materials being stored are stacked in accordance with sound stacking principle as per these regulations.

9.11 Fire precautions [CR 29]

All contractors on site will comply fully with the requirements of this regulation. In particular, the principal contractor will be responsible for the evacuation plan (section (1) the details of which will be imparted to contractors, visitors etc. through the site induction.

9.12 Construction employee welfare facilities [CR 30]

The principal contractor shall be responsible for implementing this regulation and shall ensure that adequate facilities are provided for the personnel on site in terms of the following:

- Change room facilities
- Adequate toilets
- Hand wash facilities
- Drinkable water

No food preparation shall be conducted on site. Eating and drinking will only be permitted in the designated eating areas, which must be provided with adequate seating. Waste bins shall be strategically placed and cleared regularly.

10. Site Specific and Design Risks

[Please note; this is not a complete or exhaustive list. The principal contractor is expected to assess all risks to which his employees may be exposed during the construction process, as well as the hazards identified and listed below].

10.1 Hazard Identification and Risk Assessment Methodology

Once on site, every contractor shall perform task risk assessment, using the baseline risk assessment as a guide.

The Risk assessment should be reviewed once on site and thereafter after any incident, change in design or every one-year period, whichever occurs first. Additional hazards highlighted or change in the risk factor should have a separate risk assessment carried out and filed.

The risk assessment is based on the combination of the CONSEQUENCE and PROBABILITY associated with each hazards.

10.1.1 Definitions

Term	Meaning
HAZARDS	Anything that can cause harm
RISK	The chance, great or small, that someone will be harmed by hazard
CONSEQUENCE	The possible outcome of an incident/ accident, e.g. broken leg, explosion.
PROBABILITY	The possibility of the accident/incident occurring

10.1.2 Risk Assessment

The following evaluation must be used to determine risk:

Probability X Consequence= RISK

Risk Matrix

Calculating the risk

1. Take the consequences rating(1-5) and select the correct column
 2. Take the likelihood rating(A-E) and select the correct row
 3. Select the risk rating where the two ratings cross on the matrix below.
- VH=Very, High=High, M= Medium, L=Low**

		CONSEQUENCES				
		1	2	3	4	5
Likelihood	A	M			VH	VH
	B	M	M			VH
	C	L	M			VH
	D	L	L	M	M	
	E	L	L	M	M	

10.2 Site Specific risks

The following site-specific risks have been identified for this project. These must be catered for in the contractor's health and safety plan (that which is applicable to their scope of work), and included in the site-specific risk assessment.

10.2.1 Traffic-restrictions, existing system, site traffic

Traffic accommodation must be arranged with the principal agent.

10.2.2 Site security and access-this is controlled by principal contractor.

10.3 Design risks

The following design risks have been identified by the designer for this project. These must be catered for in the contractor's health and safety plan (that which is applicable to their scope of work), and included in the site-specific risk assessment.

10.3.1 Electrical

10.3.2 Mechanical.

10.3.3 Civil Work



the dti

Department:
Trade and Industry
REPUBLIC OF SOUTH AFRICA

Private Bag X84, PRETORIA, 0001, the dti Campus, 77 Meintjies Street, Sunnyside, 0002, Tel: (012) 394 0000
the dti Customer Contact Centre local: 0861 843 384 International: +27 12 394 9500, www.thedti.gov.za

Guidance Document for the Calculation of Local Content

1. DEFINITIONS

Unless explicitly provided in this guideline, the definitions given in SATS 1286:2011 apply.

2. GENERAL

2.1. Introduction

This guideline provides tenderers with a detailed description of how to calculate local content of products (goods, services and works) by components/material/services and enables them to keep an updated record for verification requirements as per the SATS 1286:2011 Annexure A and B.

The guideline consists of two parts, namely:

- a written guideline; and
- three declarations that must be completed:
 - Declaration C: “Local Content Declaration – Summary Schedule” (see Annexure C);
 - Declaration D: “Imported Content Declaration – Supporting Schedule to Annex C” (see Annexure D); and
 - Declaration E: “Local Content Declaration – Supporting Schedule to Annex C” (see Annexure E).

The guidelines and declarations should be used by tenderers when preparing a tender. A tenderer must complete Declarations D and E, and consolidate the information on Declaration C.

Annexure C must be submitted with the tender by the closing date and time as determined by the Tender Authority. The Tender Authority reserves the right to request that Declarations D and E also be submitted.

If the tender is successful, the tenderer must continuously update Declarations C, D and E with actual values for the duration of the contract.

NOTE:

Annexure A is a note to the purchaser in SATS 1286:2011; and
Annexure B is the Local Content Declaration IN SATS 1286:2011.

2.2. What is local content?

According to SATS 1286:2011, the local content of a product is the tender price less the value of imported content, expressed as a percentage. It is, therefore, necessary to first compute the imported value of a product to determine the local content of a product.

2.3. Categories: Imported and Local Content

The tenderer must differentiate between imported content and local content.

Imported content of a product by components/material/services is separated into two categories, namely:

- products imported directly by the tenderer; and
- products imported by a third party and supplied to the tenderer.

2.3.1. Imported Content

Identify the imported content, if any, by value for products by component/material/services. In the case of components/materials/services sourced from a South African manufacturer, agent, supplier or subcontractor (i.e. third party), obtain that information and Declaration D from the third party.

Calculate the imported content of components/materials/services to be used in the manufacture of the total quantity of the products for which the tender is to be submitted.

As stated in clause 3.2.4 of SATS 1286:2011: "If information on the origin of components, parts or materials is not available, it will be deemed to be imported content."

2.3.1.1. Imported directly by the tenderer:

When the tenderer import products directly, the onus is on the tenderer to provide evidence of any components/materials/services that were procured from a non-domestic source. The evidence should be verifiable and pertain to the tender as a whole. Typical evidence will include commercial invoices, bills of entry, etc.

When the tenderer procures imported services such as project management, design, testing, marketing, etc and makes royalty and lease payments, such payments relating to the tender must be included when calculating imported content.

2.3.1.2. Imported by a third party and supplied to the tenderer:

When the tenderer supplies components/material/services that are imported by any third party (for example, a domestic manufacturer, agent, supplier or subcontractor in the supply chain), the onus is on the tenderer to obtain verifiable evidence from the third party.

The tenderer must obtain Declaration D from all third parties for the related tender. The third party must be requested by the tenderer to continuously update Declaration D. Typical evidence of imported content will include commercial invoices, bills of entry etc.

3. ANNEXURE C

3.1. Guidelines for completing Annexure C: Local Content Declaration – Summary Schedule

Note: The paragraph numbers correspond to the numbers in Annexure C.

C1. Tender Number

Supply the tender number that is specified on the specific tender documentation.

C2. Tender description

Supply the tender description that is specified on the specific tender documentation.

C3. Designated products

Supply the details of the products that are designated in terms of this tender (i.e. buses).

C4. Tender Authority

Supply the name of the tender authority.

C5. Tendering Entity name

Provide the tendering entity name (for example, Unibody Bus Builders (Pty) Ltd).

C6. Tender Exchange Rate

Provide the exchange rate used for this tender, as per the Standard Bidding Document (SBD) and Municipal Bidding Document (MBD) 6.2.

C7. Specified local content %

Provide the specified minimum local content requirement for the tender (i.e. 80%), as per the Standard Bidding Document (SBD) and Municipal Bidding Document (MDB) 6.2.

C8. Tender item number

Provide the tender item number(s) of the products that have a local content requirement as per the tender specification.

C9. List of items

Provide a list of the item(s) corresponding with the tender item number.
This may be a short description or a brand name.

Calculation of local content

C10. Tender price

Provide the unit tender price of each item excluding VAT.

C11. Exempted imported content

Provide the ZAR value of the exempted imported content for each item, if applicable. These value(s) must correspond with the value(s) of column D16 on Annexure D.

C12. Tender value net of exempted imported content

Provide the net tender value of the item, if applicable, by deducting the exempted imported content (C11) from the tender price (C10).

C13. Imported value

Provide the ZAR value of the items' imported content.

C14. Local value

Provide the local value of the item by deducting the Imported value (C13) from the net tender value (C12).

C15. Local content percentage (per item)

Provide the local content percentage of the item(s) by dividing the local value (C14) by the net tender value (C12) as per the local content formula in SATS 1286.

Tender Summary

C16. Tender quantity

Provide the tender quantity for each item number as per the tender specification.

C17. Total tender value

Provide the total tender value by multiplying the tender quantity (C16) by the tender price (C10).

C18. Total exempted imported content

Provide the total exempted imported content by multiplying the tender quantity (C16) by the exempted imported content (C11). These values must correspond with the values of column D18 on Annexure D.

C19. Total imported content

Provide the total imported content of each item by multiplying the tender quantity (C16) by the imported value (C13).

C20. Total tender value

Total tender value is the sum of the values in column C17.

C21. Total exempted imported content

Total exempted imported content is the sum of the values in column C18. This value must correspond with the value of D19 on Annexure D.

C22. Total tender value net of exempted imported content

The total tender value net of exempt imported content is the total tender value (C20) less the total exempted imported content (C21).

C23. Total imported content

Total imported content is the sum of the values in column C19. This value must correspond with the value of D53 on Annexure D.

C24. Total local content

Total local content is the total tender value net of exempted imported content (C22) less the total imported content (C23). This value must correspond with the value of E13 on Annexure E.

C25. Average local content percentage of tender

The average local content percentage of tender is calculated by dividing total local content (C24) by the total tender value net of exempted imported content (C22).

When a third party procures imported services such as project management, design, testing, marketing etc. and makes royalty and lease payments, such payments relating to the tender must be included when calculating imported content.

2.3.1.3. Exempt Imported Content:

Exemptions, if any, are granted by the Department of Trade and Industry (**the dti**). Evidence of the exemptions must be provided and included in Annexure D.

2.3.2. Local Content

Identify and calculate the local content, by value for products by components/materials/services to be used in the manufacture of the total quantity of the products.

4. ANNEXURE D

4.1. Guidelines for completing Annexure D: “Imported Content Declaration – Supporting Schedule to Annexure C”

Note: The paragraph numbers correspond to the numbers in Annexure D.

D1. Tender number

Supply the tender number that is specified on the specific tender documentation.

D2. Tender description

Supply the tender description that is specified on the specific tender documentation.

D3. Designated products

Supply the details of the products that are designated in terms of this tender (i.e. buses).

D4. Tender authority

Supply the name of the tender authority.

D5. Tendering entity name

Provide the tendering entity name (i.e. Unibody Bus Builders (Pty) Ltd).

D6. Tender exchange rate

Provide the exchange rate used for this tender, as per the Standard Bidding Document (SBD) and Municipal Bidding Document (MBD) 6.2.

Table A. Exempted Imported Content

D7. Tender item number

Provide the tender item number(s) of the product(s) that have imported content.

D8. Description of imported content

Provide a list of the exempted imported product(s), if any, as specified in the tender.

D9. Local supplier

Provide the name of the local supplier(s) supplying the imported product(s).

D10. Overseas supplier

Provide the name(s) of the overseas supplier(s) supplying the exempted imported product(s).

D11. Imported value as per commercial invoice

Provide the foreign currency value of the exempted imported product(s) disclosed in the commercial invoice accepted by the South African Revenue Service (SARS).

D12. Tender exchange rate

Provide the exchange rate used for this tender as per the Standard Bidding Document (SBD) and Municipal Bidding Document (MBD) 6.2.

D13. Local value of imports

Convert the value of the exempted imported content as per commercial invoice (D11) into the ZAR value by using the tender exchange rate (D12) disclosed in the tender documentation.

D14. Freight costs to port of entry

Provide the freight costs to the South African Port of the exempted imported item.

D15. All locally incurred landing costs and duties

Provide all landing costs including customs and excise duty for the exempted imported product(s) as stipulated in the SATS 1286:2011.

D16. Total landed costs excl VAT

Provide the total landed costs (excluding VAT) for each item imported by adding the corresponding item values in columns D13, D14 and D15. These values must be transferred to column C11 on Annexure C.

D17. Tender quantity

Provide the tender quantity of the exempted imported products as per the tender specification.

D18. Exempted imported value

Provide the imported value for each of the exempted imported product(s) by multiplying the total landed cost (excl. VAT) (D16) by the

tender quantity (D17). The values in column D18 must correspond with the values of column C18 of Annexure C.

D19. Total exempted imported value

The total exempted imported value is the sum of the values in column D18. This total must correspond with the value of C21 on Annexure C.

Table B. Imported Directly By Tenderer

D20. Tender item numbers

Provide the tender item number(s) of the product(s) that have imported content.

D21. Description of imported content:

Provide a list of the product(s) imported directly by tender as specified in the tender documentation.

D22. Unit of measure

Provide the unit of measure for the product(s) imported directly by the tenderer.

D23. Overseas supplier

Provide the name(s) of the overseas supplier(s) supplying the imported product(s).

D24. Imported value as per commercial Invoice

Provide the foreign currency value of the product(s) imported directly by tenderer disclosed in the commercial invoice accepted by the South African Revenue Service (SARS).

D25. Tender rate of exchange

Provide the exchange rate used for this tender as per the Standard Bidding Document (SBD) and Municipal Bidding Document (MBD) 6.2.

D26. Local value of imports

Convert the value of the product(s) imported directly by the tenderer as per commercial invoice (D24) into the ZAR value by using the tender exchange rate (D25) disclosed in the tender documentation.

D27. Freight costs to port of entry

Provide the freight costs to the South African Port of the product(s) imported directly by the tenderer.

D28. All locally incurred landing costs and duties

Provide all landing costs including customs and excise duty for the product(s) imported directly by the tenderer as stipulated in the SATS 1286:2011.

D29. Total landed costs excl VAT

Provide the total landed costs (excluding VAT) for each item imported directly by the tenderer by adding the corresponding item values in columns D26, D27 and D28.

D30. Tender quantity

Provide the tender quantity of the product(s) imported directly by the tenderer as per the tender specification.

D31. Total imported value

Provide the total imported value for each of the product(s) imported directly by the tenderer by multiplying the total landed cost (excl. VAT) (D29) by the tender quantity (D30).

D32. Total imported value by tenderer

The total value of imports by the tenderer is the sum of the values in column D31.

Table C. Imported by Third Party and Supplied to the Tenderer

D33. Description of imported content

Provide a list of the product(s) imported by the third party and supplied to the tenderer as specified in the tender documentation.

D34. Unit of measure

Provide the unit of measure for the product(s) imported by the third party and supplied to tenderer as disclosed in the commercial invoice.

D35. Local supplier

Provide the name of the local supplier(s) supplying the imported product(s).

D36. Overseas supplier

Provide the name(s) of the overseas supplier(s) supplying the imported products.

D37. Imported value as per commercial invoice

Provide the foreign currency value of the product(s) imported by the third party and supplied to the tenderer disclosed in the commercial invoice accepted by SARS.

D38. Tender rate of exchange

Provide the exchange rate used for this tender as per the Standard Bidding Document (SBD) and Municipal Bidding Document (MBD) 6.2.

D39. Local value of imports

Convert the value of the product(s) imported by the third party as per commercial invoice (D37) into the ZAR value by using the tender exchange rate (D38) disclosed in the tender documentation.

D40. Freight costs to port of entry

Provide the freight costs to the South African Port of the product(s) imported by third party and supplied to the tenderer.

D41. All locally incurred landing costs and duties

Provide all landing costs including customs and excise duty for the product(s) imported by third party and supplied to the tenderer as stipulated in the SATS 1286:2011.

D42. Total landed costs excluding VAT

Provide the total landed costs (excluding VAT) for each product imported by third party and supplied to the tenderer by adding the corresponding item values in columns D39, D40 and D41.

D43. Quantity imported

Provide the quantity of each product(s) imported by third party and supplied to the tenderer for the tender.

D44. Total imported value

Provide the total imported value of the product(s) imported by third party and supplied to the tenderer by multiplying the total landed cost (D42) by the quantity imported (D43).

D45. Total imported value by third party

The total imported value from the third party is the sum of the values in column D44.

Table D. Other Foreign Currency Payments

D46. Type of payment

Provide the type of foreign currency payment. (i.e. royalty payment for use of patent, annual licence fee, etc).

D47. Local supplier making the payment

Provide the name of the local supplier making the payment.

D48. Overseas beneficiary

Provide the name of the overseas beneficiary.

D49. Foreign currency value paid

Provide the value of the listed payment(s) in their foreign currency.

D50. Tender rate of exchange

Provide the exchange rate used for this tender as per the Standard Bidding Document (SBD) and Municipal Bidding Document (MBD) 6.2.

D51. Local value of payments

Provide the local value of each payment by multiplying the foreign currency value paid (D49) by the tender rate of exchange (D50).

D52. Total of foreign currency payments declared by tenderer and/or third party

The total of foreign currency payments declared by tenderer and/or a third party is the sum of the values in column D51.

D53. Total of imported content and foreign currency payment

The total imported content and foreign currency payment is the sum of the values in column D32, D45 and D52. This value must correspond with the value of C23 on Annexure C.

5. ANNEXURE E

5.1. Guidelines to completing Annexure E: “Local Content Declaration-Supporting Schedule to Annexure C”

The paragraph numbers correspond to the numbers in Annexure E

E1. Tender number

Supply the tender number that is specified on the specific tender documentation.

E2. Tender description

Supply the tender description that is specified on the specific tender documentation.

E3. Designated products

Supply the details of the products that are designated in terms of this tender (for example, buses/canned vegetables).

E4. Tender authority

Supply the name of the tender authority.

E5. Tendering entity name

Provide the tendering entity name (for example, Unibody Bus Builders (Pty) Ltd) Ltd).

Local Goods, Services and Works

E6. Description of items purchased

Provide a description of the items purchased locally in the space provided.

E7. Local supplier

Provide the name of the local supplier that corresponds to the item listed in column E6.

E8. Value

Provide the total value of the item purchased in column E6.

E9. Total local products (Goods, Services and Works)

Total local products (goods, services and works) is the sum of the values in E8.

E10. Manpower costs:

Provide the total of all the labour costs accruing only to the tenderer (i.e. not the suppliers to tenderer).

E11. Factory overheads:

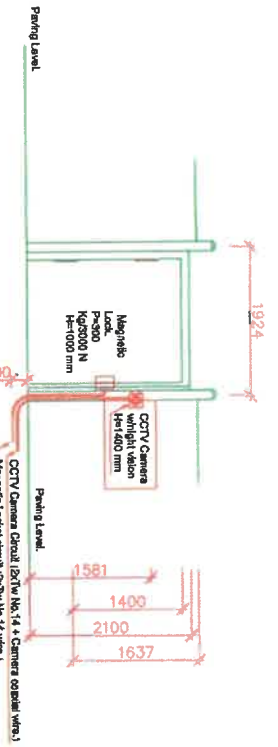
Provide the total of all the factory overheads including rental, depreciation and amortisation for local and imported capital goods, utility costs and consumables. (Consumables are goods used by individuals and businesses that must be replaced regularly because they wear out or are used up. Consumables can also be defined as the components of an end product that are used up or permanently altered in the process of manufacturing, such as basic chemicals.)

E12. Administration overheads and mark-up:

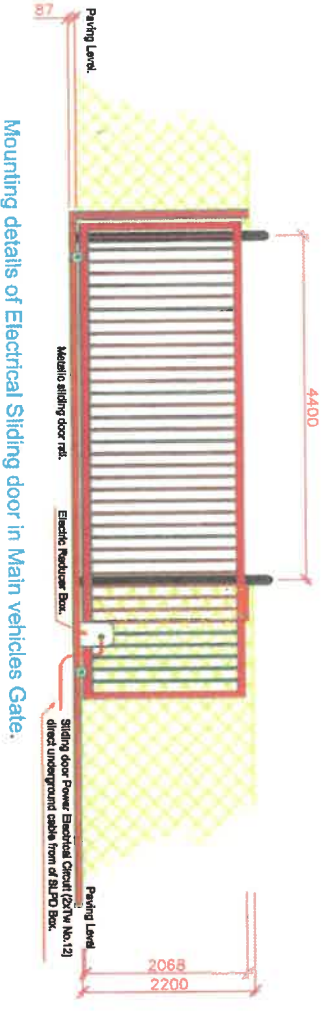
Provide the total of all the administration overheads, including marketing, insurance, financing, interest and mark-up costs.

E13. Total local content:

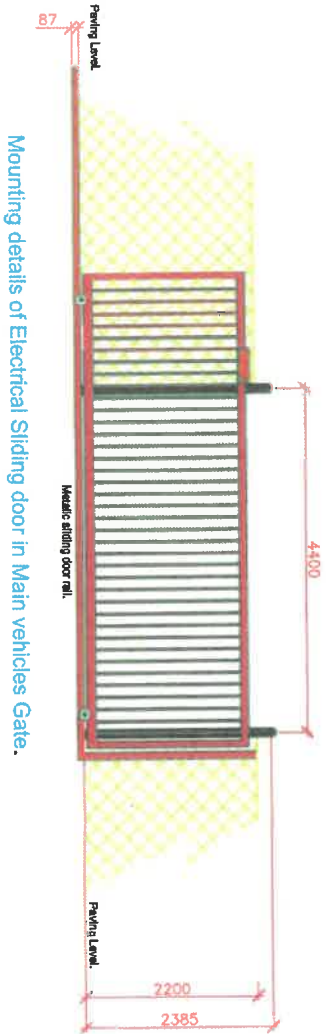
The total local content is the sum of the values of E9, E10, E11 and E12. This total must correspond with C24 of Annexure C.



Mounting details of CCTV Camera and Magnetic Lock in Main Personal Gate.

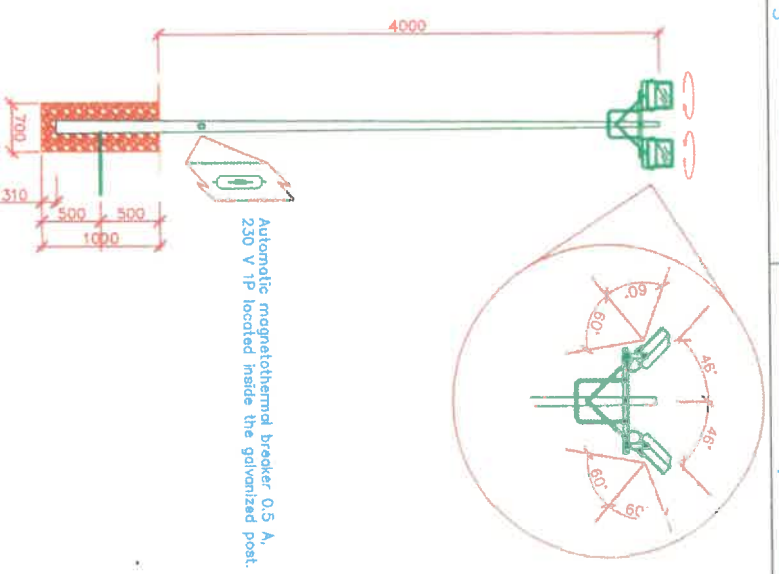


Mounting details of Electrical Sliding door in Main vehicles Gate.



Mounting details of Electrical Sliding door in Main vehicles Gate.

WARENGTON's SAPS GENERALS DETAILS PLAN.
Escal: None.



- Standard concrete base. (ø700x1000 mm) 0,19 m³.
- Concrete Proportions (each):
- Material dosification to use:
- 1: 2: 3
- Cement: 66 kg.
- Sand: 0,11 m³
- Stone 19": 0,18 m³

Total number of bosses: 11 U.
-Total Cement: 726 Kg.
-Total Sand: 121 m³.
-Total Stone: 175 m³

Mounting details of two arms 30 W. 230 V LED technology luminaire and galvanized steel post.

Notes:
1.-The horizontal and vertical directional angles of the luminous flow will be adequate in site during the mounted process.