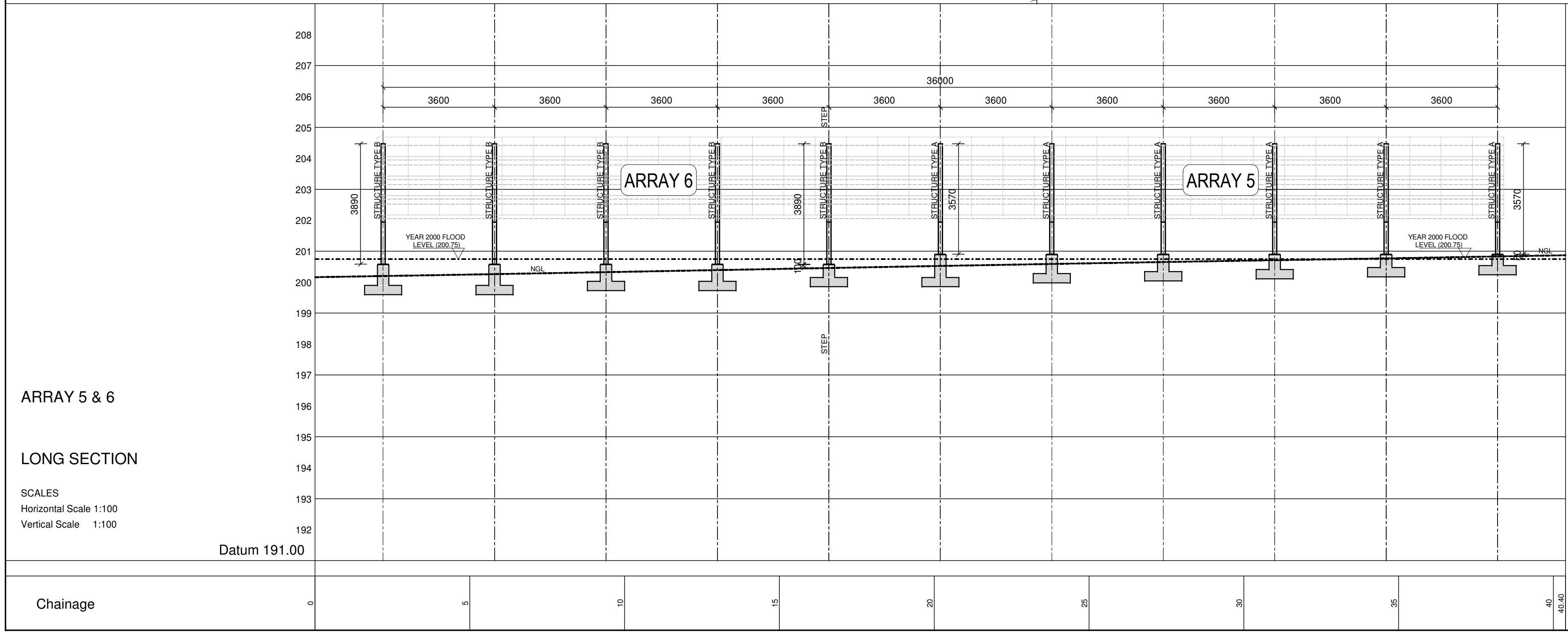


Approved by Design Leader  
 Johann Erwee  
 Professional Engineer  
 ECSA 780325



- STRUCTURAL STEELWORK:**
- The structure is designed for loading conditions in accordance with SABS 0160:1993 for the following maximum loads;  
 Nominal permanent load : 0.5 kN/m<sup>2</sup> (exclusive of self weight of structure)  
 Nominal imposed load : 2 kN/m<sup>2</sup>
  - All structural steel to be grade 350W steel with a min yield stress of 350 MPa, to SANS 1431
  - Fabrication and erection shall be done in accordance with SABS 1200 H Standard Building Regulations, Chapter 6.
  - Minimum 6mm continuous welds shall be used unless otherwise stated
  - All structural steel, holding down bolts, nuts & washers to be 275 g/m<sup>2</sup> Hot-dipped Galvanized to SANS 121
  - Steelwork below ground level must be painted with two layers approved bitumen paint.

ARRAY 5 & 6  
 LONG SECTION  
 SCALES  
 Horizontal Scale 1:100  
 Vertical Scale 1:100  
 Datum 191.00

No.	DATE	AMENDMENT	D.P.W.

Copyright vests in the Department of Public Works  
 as-built drawings  
 certified as-built drawings as per Centralised Drawing Archive AS-BUILT DRAWING REQUIREMENTS  
 name: \_\_\_\_\_  
 date: \_\_\_\_\_  
 professional registration no.: \_\_\_\_\_

cad file name S10492/600/12/A1 page type A 1

**public works**  
 Department: Public Works  
 REPUBLIC OF SOUTH AFRICA  
 DIRECTOR-GENERAL MR. MZIWONKE DLABANTU

consultant

**PIENAAR & ERWEE**  
 Elektriese Ingenieurs Electrical Engineers  
 Reg. No. 2003/12848/07  
 CESA

NEETHLINGSTRAAT 3 NEETHLING STREET POSTNET SUITE 52  
 BENDOR, POLOKWANE 9869 PRIVATE BAG X9676  
 9869 POLOKWANE 0700  
 +27 (0)15 296 3092 admin@pevptg.co.za

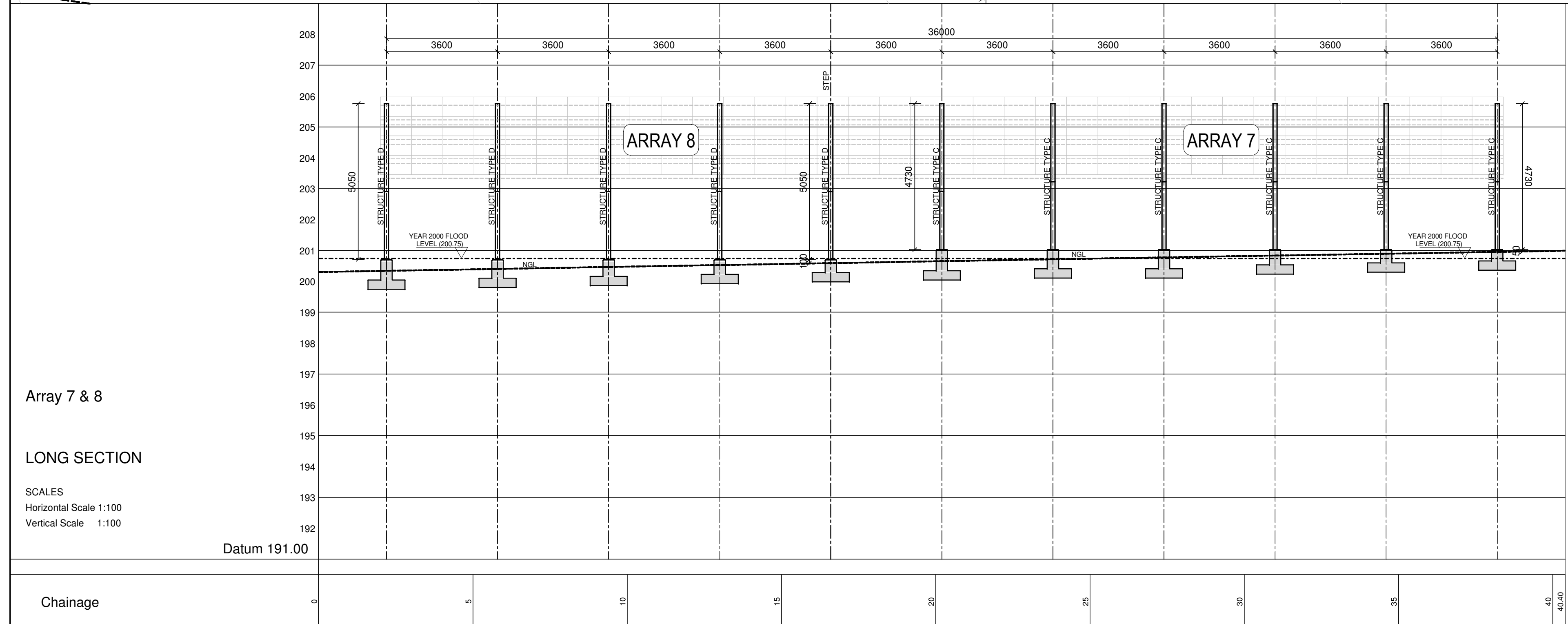
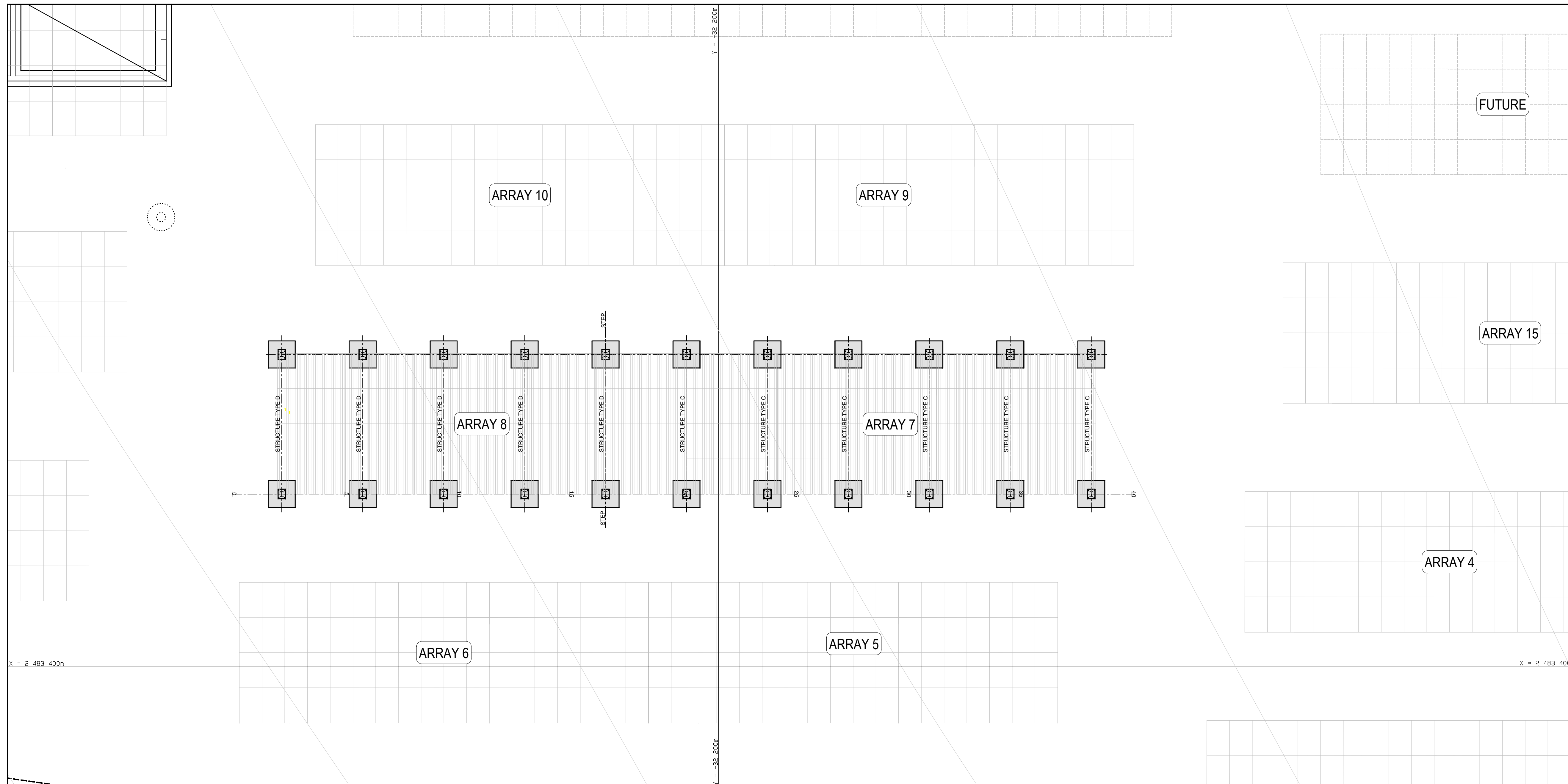
\*Copyright vests in this drawing / document and no use or reproduction or duplication thereof may occur without the written consent of the copyright holder.  
 Copyright © 2023 by: PIENAAR & ERWEE ENGINEERS (Pty) Ltd

discipline **STRUCTURAL ENGINEERING SERVICES**  
 service **PAFURI LAND PORT OF ENTRY (LPOE): SUPPLY AND INSTALLATION OF SOLAR PANEL AND WASTE WATER FACILITY**

WCS number **052476**

drawing title **ARRAY 5 & 6 LONGITUDINAL SECTION**

ref.no. 6022/0079/20B designed J.P.  
 scale AS SHOWN drawn E.E.  
 date 25 / 03 / 2014 checked J.P.  
 DPW drawing number **S10492/600/12/A1**



- STRUCTURAL STEELWORK:**
- The structure is designed for loading conditions in accordance with SABS 0160:1993 for the following maximum loads;  
Nominal permanent load : 0,5 KN/m<sup>2</sup> (exclusive of self weight of structure)  
Nominal imposed load : 2 KN/m<sup>2</sup>
  - All structural steel to be grade 350W steel with a min yield stress of 350 MPa, to SANS 1431
  - Fabrication and erection shall be done in accordance with SABS 1200 H Standard Building Regulations, Chapter 6.
  - Minimum 6mm continuous welds shall be used unless otherwise stated
  - All structural steel, holding down bolts, nuts & washers to be 275 g/m<sup>2</sup> Hot-dipped Galvanized to SANS 121
  - Steelwork below ground level must be painted with two layers approved bitumen paint.

Approved by Design Leader  
 Johann Erwee  
 Professional Engineer  
 ECSA : 780325

No.	DATE	AMENDMENT	D.P.W.

Copyright vests in the  
Department of Public Works

as-built drawings

certified as-built drawings as per Centralised Drawing  
Archive AS-BUILT DRAWING REQUIREMENTS

name: \_\_\_\_\_  
 date: \_\_\_\_\_  
 professional registration no.: \_\_\_\_\_

cad file name      page type  
 S10492/600/13/A1      A 1

**public works**  
 Department:  
 Public Works  
 REPUBLIC OF SOUTH AFRICA

DIRECTOR-GENERAL  
 MR. MZIWONKE DLABANTU

consultant

NEETHLINGSTRAAT 3 NEETHLING STREET    POSTNET SUITE 52  
 BENDOR, POLOKWANE    PRIVATE BAG X9676  
 9699    POLOKWANE  
 +27 (0)15 298 3092    admin@pevptg.co.za    0700

"Copyright vests in this drawing / document and no use or reproduction or duplication thereof may occur without the written consent of the copyright holder"  
 Copyright © 2023 by: PIENAAR & ERWEE ENGINEERS (Pty) Ltd

discipline  
**STRUCTURAL ENGINEERING SERVICES**

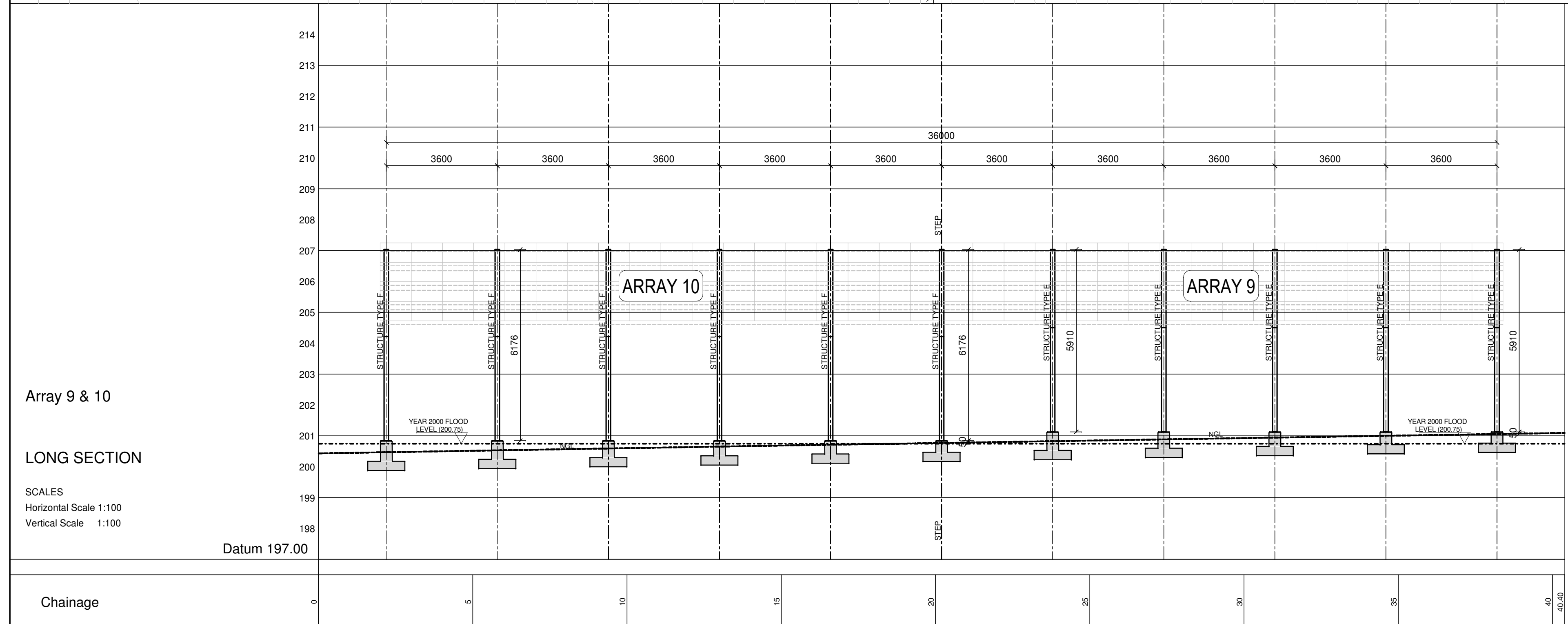
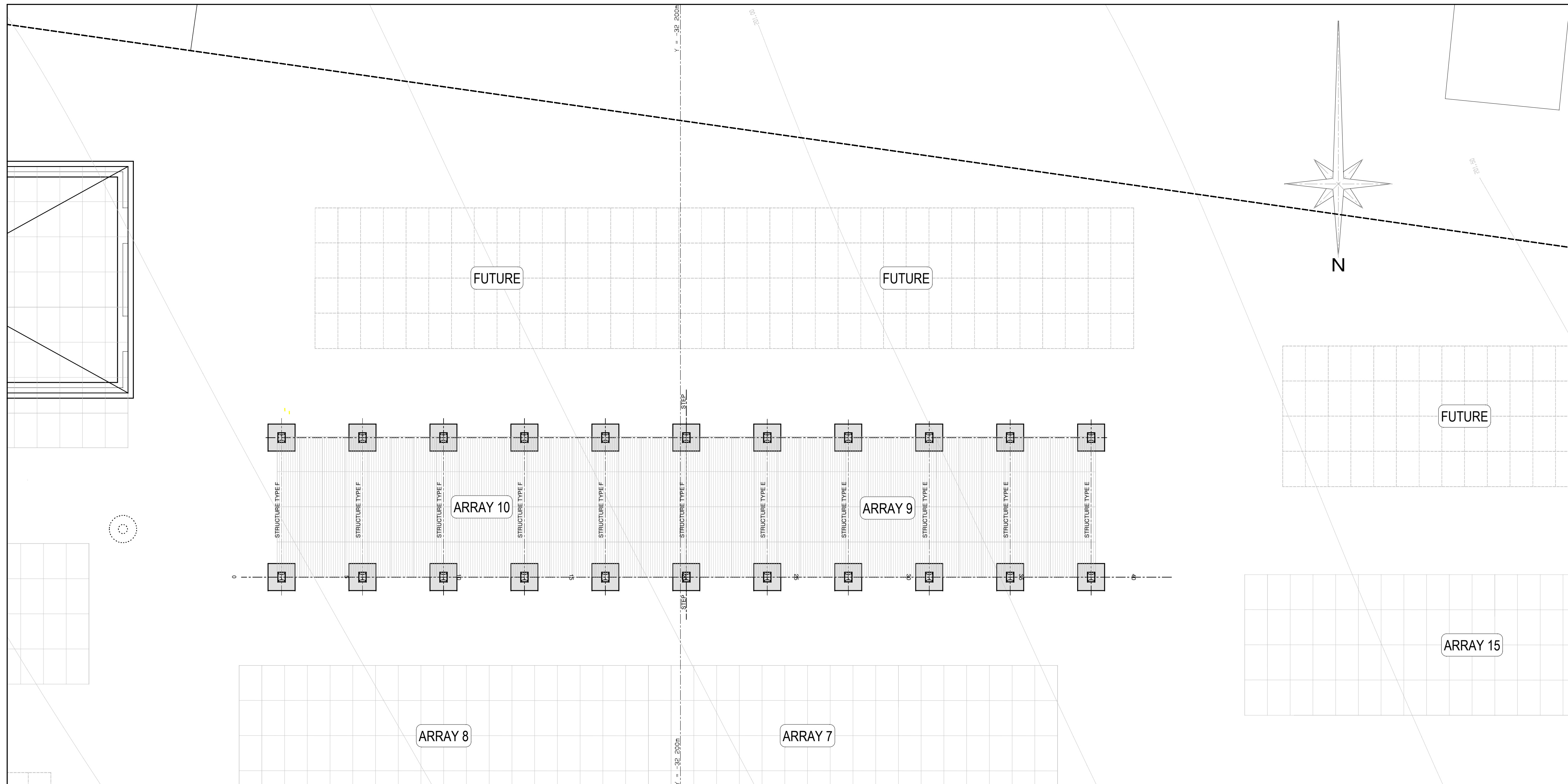
service  
**PAFURI LAND PORT OF ENTRY (LPOE):  
 SUPPLY AND INSTALLATION OF  
 SOLAR PANEL AND WASTE WATER  
 FACILITY**

WCS number      052476

drawing title  
**ARRAY 7 & 8  
 LONGITUDINAL SECTION**

ref.no. 6022/0079/20B    designed J.P  
 scale AS SHOWN    drawn E.E  
 date 25 / 03 / 2014    checked J.P  
 DPW drawing number  
 S10492/600/13/A1





**STRUCTURAL STEELWORK:**

- The structure is designed for loading conditions in accordance with SABS 0160:1993 for the following maximum loads;  
Nominal permanent load : 0,5 KN/m<sup>2</sup> (exclusive of self weight of structure)  
Nominal imposed load : 2 KN/m<sup>2</sup>
- All structural steel to be grade 350W steel with a min yield stress of 350 MPa, to SANS 1431
- Fabrication and erection shall be done in accordance with SABS 1200 H Standard Building Regulations, Chapter 6.
- Minimum 6mm continuous welds shall be used unless otherwise stated
- All structural steel, holding down bolts, nuts & washers to be 275 g/m<sup>2</sup> Hot-dipped Galvanized to SANS 121
- Steelwork below ground level must be painted with two layers approved bitumen paint.

Approved by Design Leader  
 Johann Erwee  
 Professional Engineer  
 ECSA: 780325

No.	DATE	AMENDMENT	D.P.W.

Copyright vests in the Department of Public Works  
 as-built drawings  
 certified as-built drawings as per Centralised Drawing Archive AS-BUILT DRAWING REQUIREMENTS  
 name: \_\_\_\_\_  
 date: \_\_\_\_\_  
 professional registration no.: \_\_\_\_\_

cad file name: S10492/600/14/A1  
 page type: A 1

**public works**  
 Department: Public Works  
 REPUBLIC OF SOUTH AFRICA  
 DIRECTOR-GENERAL MR. MZIWONKE DLABANTU

consultant  
**PIENAAR & ERWEE**  
 Elektriese Ingenieurs Electrical Engineers  
 Reg No. 2003/012848/07  
 CESA  
 NEETHLINGSTRAAT 3 NEETHLING STREET BENDOR, POLOKWANE 0669  
 +27 (0)15 296 3092 admin@pevptg.co.za  
 POSTNET SUITE 52 PRIVATE BAG X9676 POLOKWANE 0700  
 \*Copyright vests in this drawing / document and no use or reproduction or duplication thereof may occur without the written consent of the copyright holder.  
 Copyright © 2023 by: PIENAAR & ERWEE ENGINEERS (Pty) Ltd

discipline  
**STRUCTURAL ENGINEERING SERVICES**  
 service  
**PAFURI LAND PORT OF ENTRY (LPOE): SUPPLY AND INSTALLATION OF SOLAR PANEL AND WASTE WATER FACILITY**  
 WCS number: 052476  
 drawing title  
**ARRAY 9 & 10 LONGITUDINAL SECTION**  
 ref.no: 6022/0079/20B designed J.P.  
 scale AS SHOWN drawn E.E.  
 date 25 / 03 / 2014 checked J.P.  
 DPW drawing number  
 S10492/600/14/A1

No.	DATE	AMENDMENT	D.P.W.
A2	06-11-17	GENERAL REVISION	E.E

Copyright vests in the Department of Public Works

as-built drawings

certified as-built drawings as per Centralised Drawing Archive AS-BUILT DRAWING REQUIREMENTS


name: \_\_\_\_\_

date: \_\_\_\_\_

professional registration no.: \_\_\_\_\_

cad file name: S10492/600/15/A2

page type: A 1



**public works**

Department: Public Works  
REPUBLIC OF SOUTH AFRICA

DIRECTOR-GENERAL  
MR. MZIWONKE DLABANTU

consultant



**PIENAAR & ERWEE**  
Elektriese Ingenieurs Electrical Engineers  
Reg No. 2003/012848/07

NEETHLINGSTRAAT 3 NEETHLING STREET  
BENDOR, POLOKWANE 0859  
+27 (0)15 298 3092 admin@pevptg.co.za

POSTNET SUITE 52  
PRIVATE BAG X9676  
POLOKWANE 0700

\*Copyright vests in this drawing / document and no use or reproduction or duplication thereof may occur without the written consent of the copyright holder\*  
Copyright © 2023 by: PIENAAR & ERWEE ENGINEERS (Pty) Ltd

discipline  
**STRUCTURAL ENGINEERING SERVICES**

service  
**PAFURI LAND PORT OF ENTRY (LPOE):  
SUPPLY AND INSTALLATION OF  
SOLAR PANEL AND WASTE WATER  
FACILITY**

WCS number: 052476

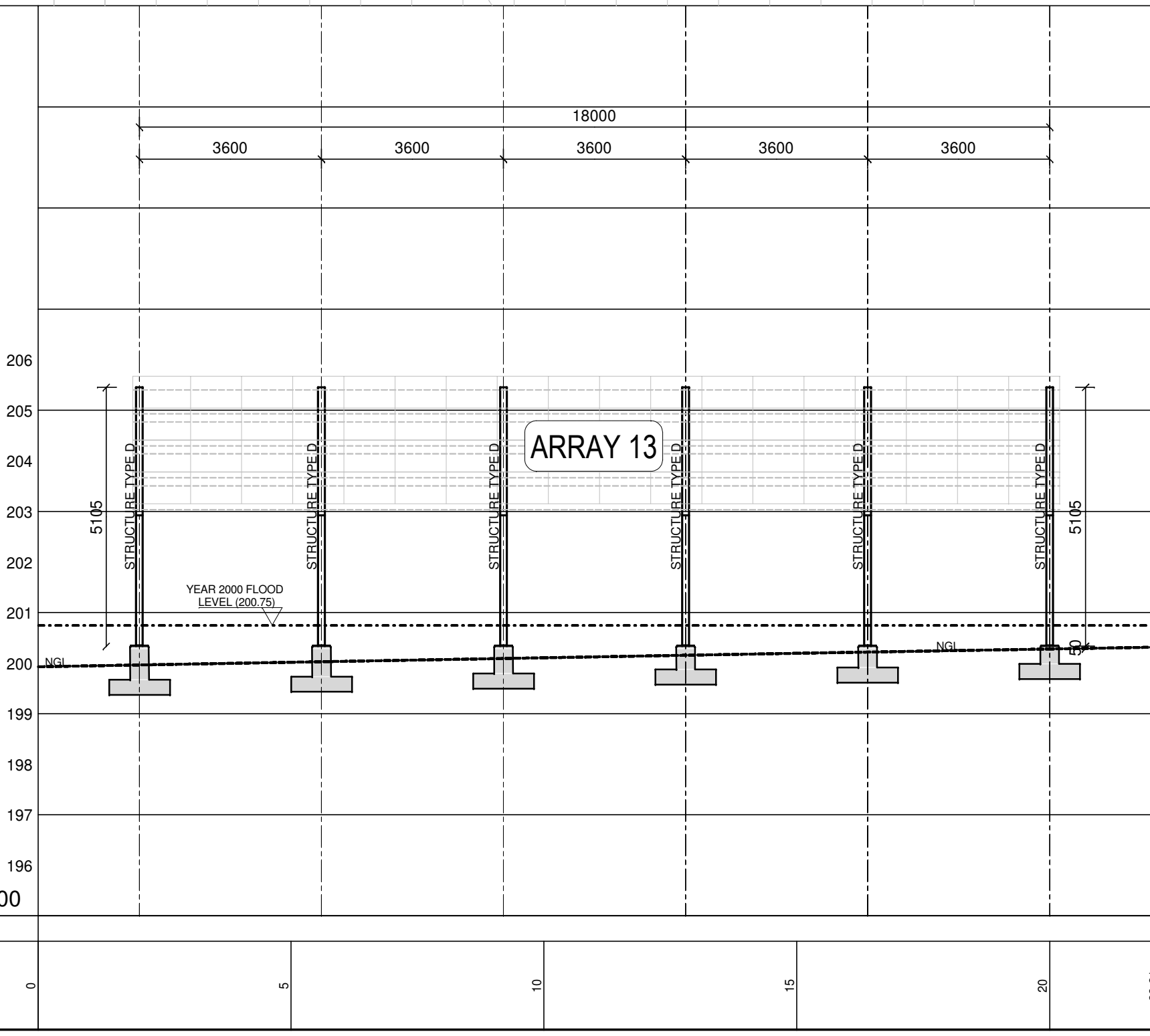
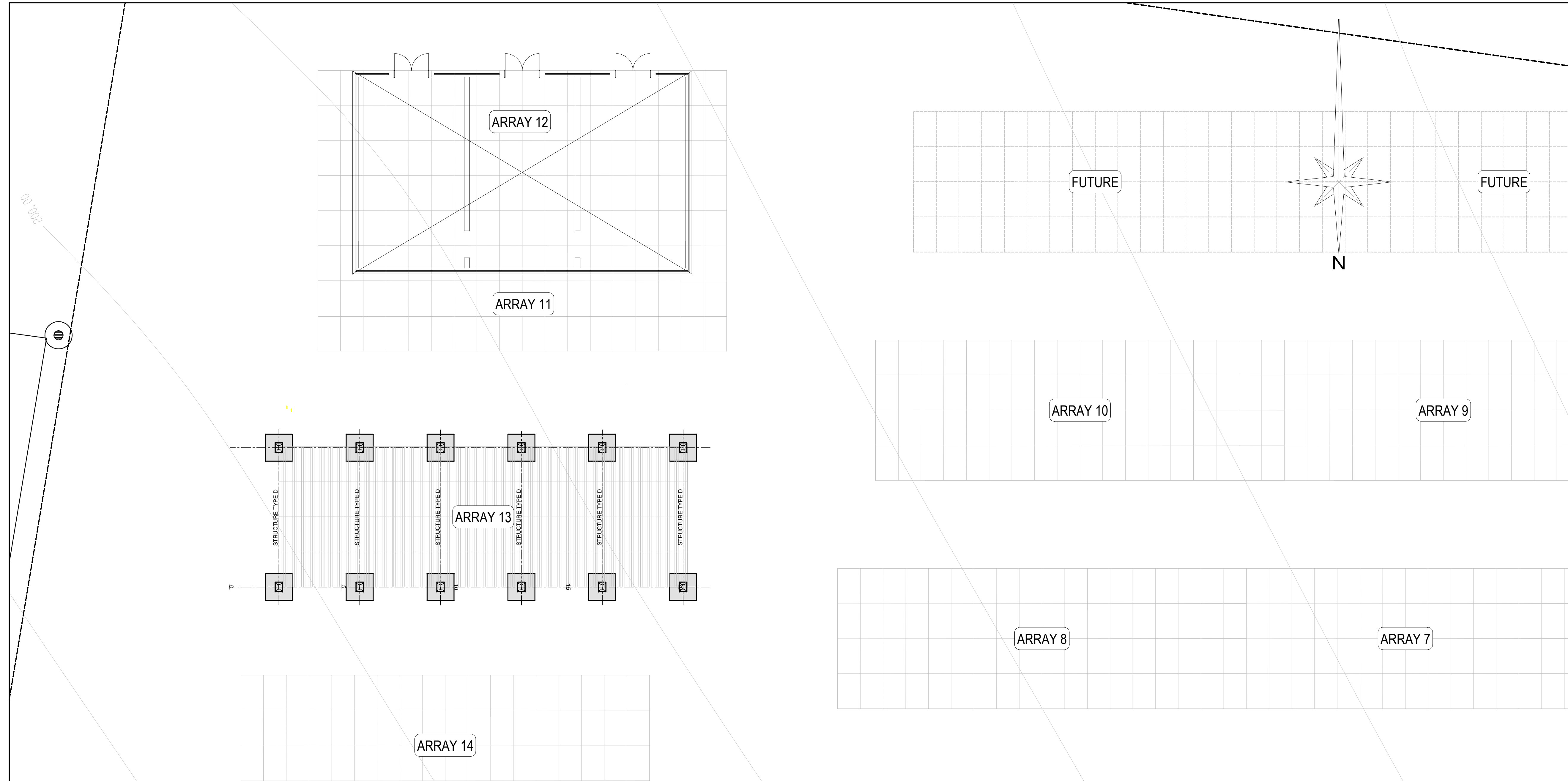
drawing title  
**DRAWING REGISTER**

ref.no. 6022/0079/20B designed J.P

scale AS SHOWN drawn E.E

date 06 / 11 / 2017 checked J.P

DPW drawing number  
**S10492/600/15/A2**



- STRUCTURAL STEELWORK:**
- The structure is designed for loading conditions in accordance with SABS 0160:1993 for the following maximum loads;  
Nominal permanent load : 0.5 kN/m<sup>2</sup> (exclusive of self weight of structure)  
Nominal imposed load : 2 kN/m<sup>2</sup>
  - All structural steel to be grade 350W steel with a min yield stress of 350 MPa, to SANS 1431
  - Fabrication and erection shall be done in accordance with SABS 1200 H Standard Building Regulations, Chapter 6.
  - Minimum 6mm continuous welds shall be used unless otherwise stated
  - All structural steel, holding down bolts, nuts & washers to be 275 g/m<sup>2</sup> Hot-dipped Galvanized to SANS 121
  - Steelwork below ground level must be painted with two layers approved bitumen paint.

*Johann Erwee*

Approved by Design Leader  
Johann Erwee  
Professional Engineer  
ECSA : 780325

ARRAY 11

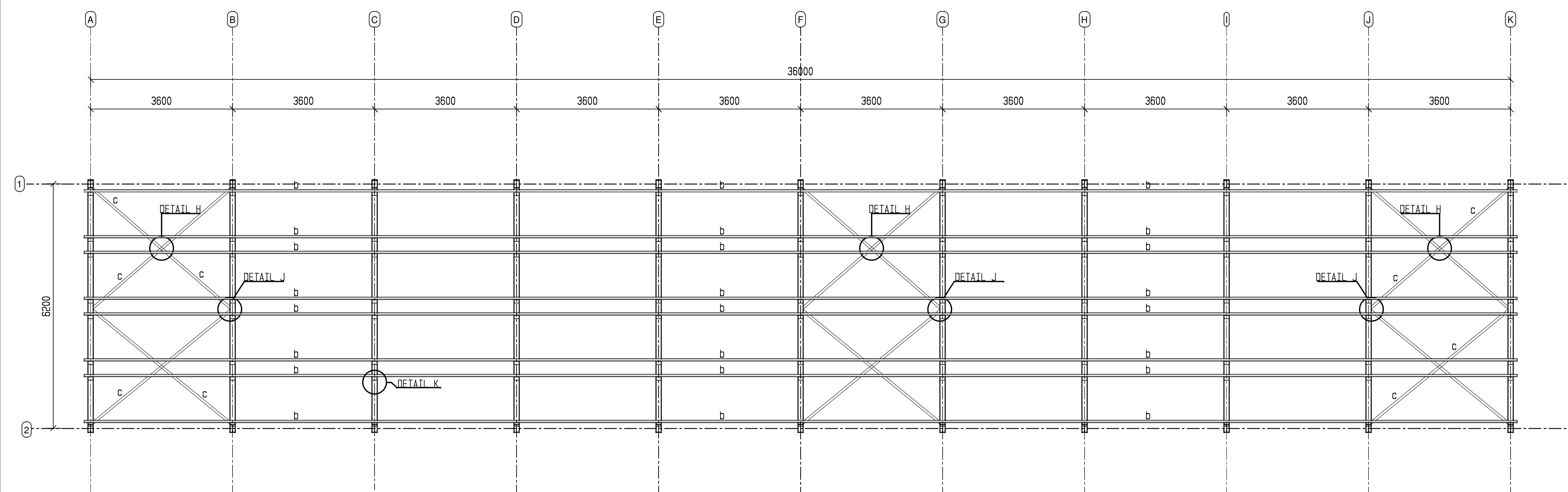
LONG SECTION

SCALES  
Horizontal Scale 1:100  
Vertical Scale 1:100

Datum 195.00

Chainage

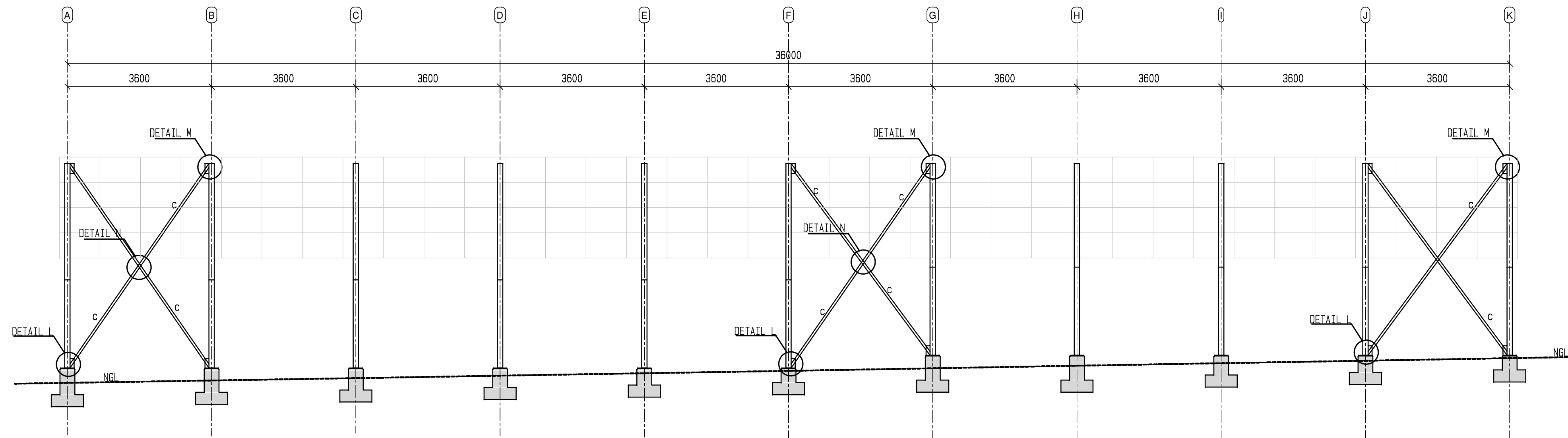




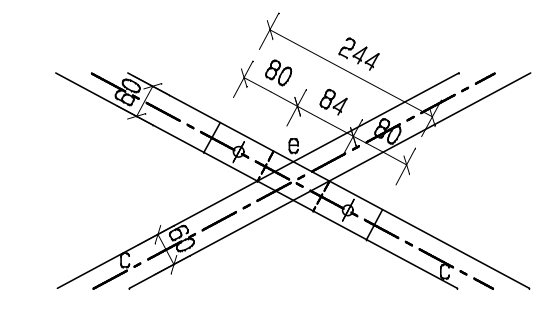
**ARRAYS - TYPICAL ROOF LAYOUT**  
SCALE:1:75

A1 -	1200x1200x400 THICK CLASS 25/19 R.C BASE CASTED ON A 50mm THICK 15MPa BLINDING LAYER
A2 -	430x330 STUB COLUMN
a -	I 203x133x25 kg/m
a1 -	I 254x146x31 kg/m
b -	125x65x20x2.5 thk COLED FORM LIPPED CHANNEL ROOF PURLIN.
c -	ANGLE 90x65x6 thk WITH 2xM10 BOLT THROUGH 2x12 HOLE WELDED TO COLUMN.
d -	L 60x60x6 thk
e -	PL 220x100mm WIDEx10mm THK CONNECTOR PLATE WITH 2x12mm Ø HOLES FOR2xM10 BOLTS.
f -	PL 244x60mm WIDEx10mm THK CONNECTOR PLATE WITH 2x12mm Ø HOLES FOR2xM10 BOLTS.
g -	PL 240x100x 10 thk CONNECTOR PLATE WITH 2x12mm Ø HOLES FOR2xM10 BOLT
h -	PL 250x100x 10 thk CONNECTOR PLATE WITH 2x12mm Ø HOLES FOR2xM10 BOLT
i -	PL 247x60mm WIDEx10mm THK CONNECTOR PLATE WITH 2x12mm Ø HOLES FOR2xM10 BOLTS.

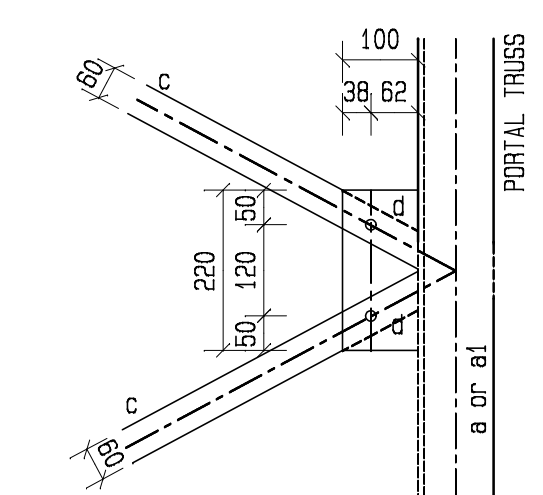
- STRUCTURAL STEELWORK:**
- The structure is designed for loading conditions in accordance with SABS 0160:1993 for the following maximum loads;  
Nominal permanent load : 0.5 kN/m<sup>2</sup> (exclusive of self weight of structure)  
Nominal imposed load : 2 kN/m<sup>2</sup>
  - All structural steel to be grade 350W steel with a min yield stress of 350 MPa, to SANS 1431
  - Fabrication and erection shall be done in accordance with SABS 1200 H Standard Building Regulations, Chapter 6.
  - Minimum 6mm continuous welds shall be used unless otherwise stated
  - All structural steel, holding down bolts, nuts & washers to be 275 g/m<sup>2</sup> Hot-dipped Galvanized to SANS 121
  - Steelwork below ground level must be painted with two layers approved bitumen paint.



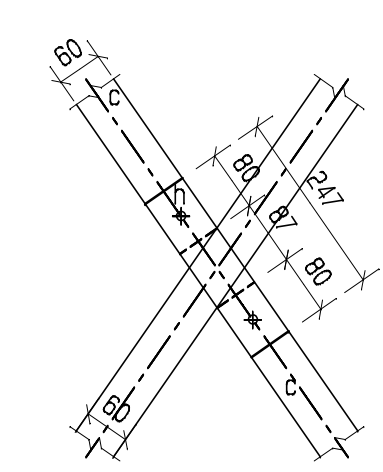
**ARRAYS - TYPICAL ELEVATION (HIGH SIDE)**  
SCALE:1:75



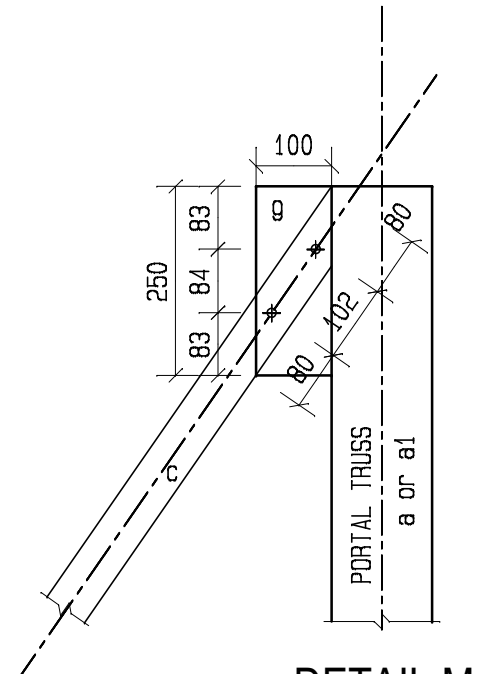
**DETAIL F**  
SCALE 1:10



**DETAIL J**  
SCALE 1:10

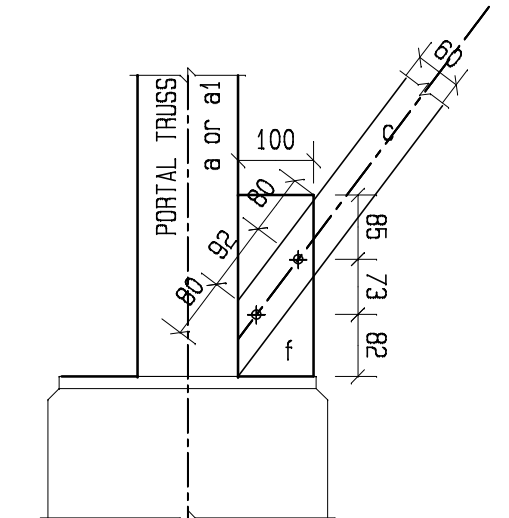


**DETAIL N**  
SCALE 1:10

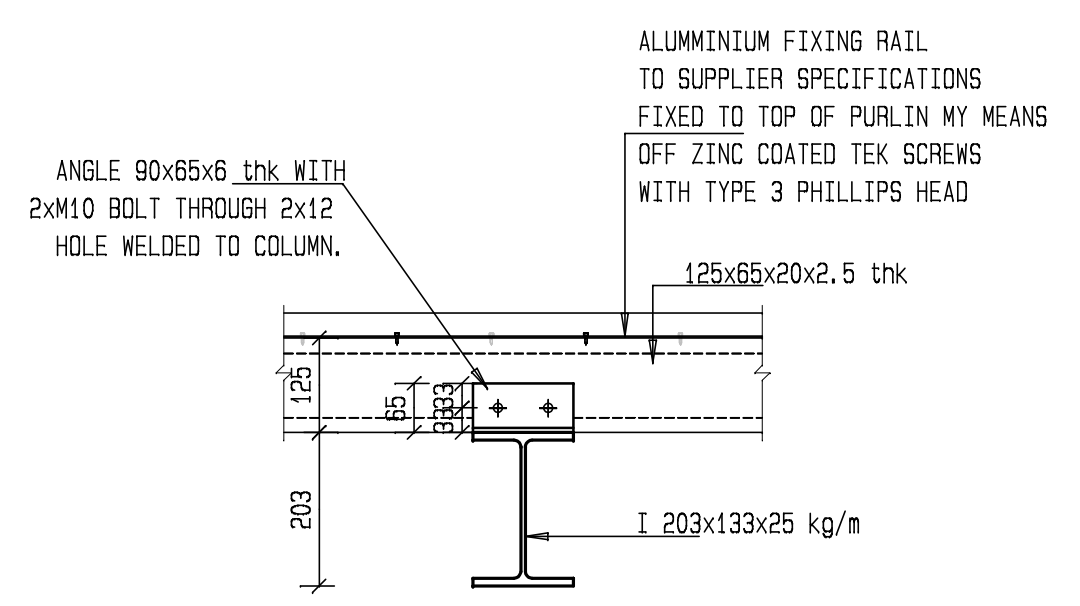


**DETAIL M**  
SCALE 1:10

*[Signature]*  
Approved by Design Leader  
Johann Erwee  
Professional Engineer  
ECSA : 780325



**DETAIL L**  
SCALE 1:10



**DETAIL K**  
SCALE 1:10

No.	DATE	AMENDMENT	D.P.W.

Copyright vests in the Department of Public Works

as-built drawings

certified as-built drawings as per Centralised Drawing Archive AS-BUILT DRAWING REQUIREMENTS

name: \_\_\_\_\_

date: \_\_\_\_\_

professional registration no.: \_\_\_\_\_

---

cad file name: S10492/600/16/A1 page type: A 1

---

**public works**  
Department: Public Works  
REPUBLIC OF SOUTH AFRICA

DIRECTOR-GENERAL  
MR. MZIWONKE DLABANTU

---

consultant  
**PIENAAR & ERWEE**  
Elektriese Ingenieurs Electrical Engineers  
Reg No. 2003/012948/07  
CESA

NEETHLINGSTRAAT 3 NEETHLING STREET POSTNET SUITE 52  
BENDOR, POLOKWANE PRIVATE BAG X9676  
9899 POLOKWANE  
+27 (0)15 298 3092 admin@pevptg.co.za 0700

\*Copyright vests in this drawing/ document and no use or reproduction or duplication thereof may occur without the written consent of the copyright holder.  
Copyright © 2023 by: PIENAAR & ERWEE ENGINEERS (Pty) Ltd

---

discipline: STRUCTURAL ENGINEERING SERVICES

service: PAFURI LAND PORT OF ENTRY (LPOE): SUPPLY AND INSTALLATION OF SOLAR PANEL AND WASTE WATER FACILITY

WCS number: 052476

drawing title: TYPICAL ROOF LAYOUT & TYPICAL ELEVATION - ARRAYS DETAILS

---

ref.no. 6022/0079/20B designed J.P

scale AS SHOWN drawn E.E

date 25 / 03 / 2014 checked J.P

DPW drawing number: S10492/600/16/A1