

D.P.W. AMENDMENT No. DATE

- ① Danger sign- Automated engine start without notice
- ② Electrical Shock Treatment Sign
- ③ Multilingual Danger sign
- ④ Electrical Hazard Sign

Copyright vests in the Department of Public Works

cad file name



Director-General
M.R. SIMWE DONGWANA

discipline
ELECTRICAL

service
TYPICAL GENERATOR LAYOUT
DRAWING FOR GENERATORS
UP TO 200kVA.

(MEASUREMENTS AND SIZE OF
CANOPY TO BE ADJUSTED FOR
GENERATORS ABOVE 200kVA
AS PER SUPPLIER
REQUIREMENTS)

WCS number
N/A

drawing title

TYPICAL GENERATOR AND
CUBICLE LAYOUT

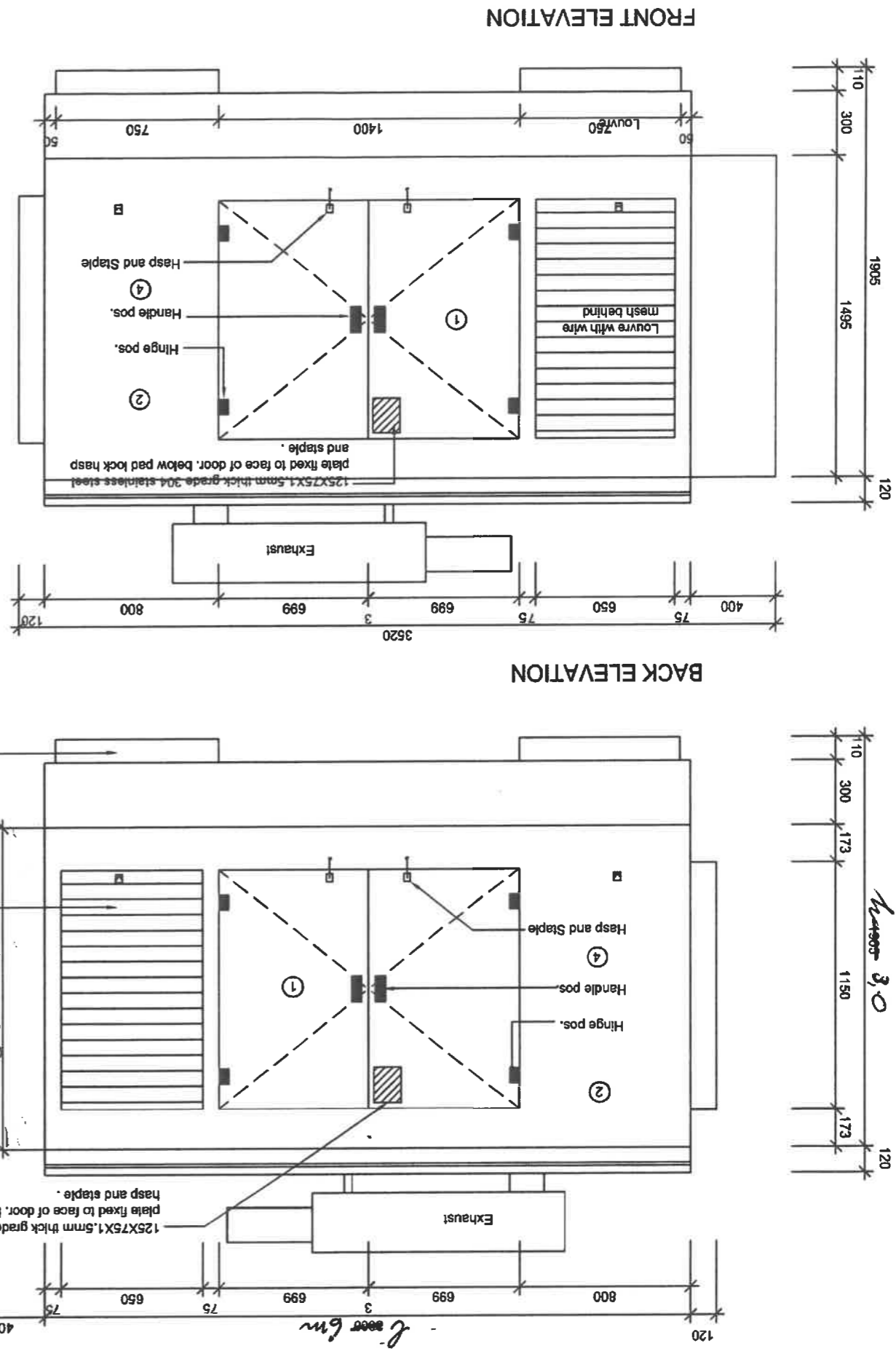
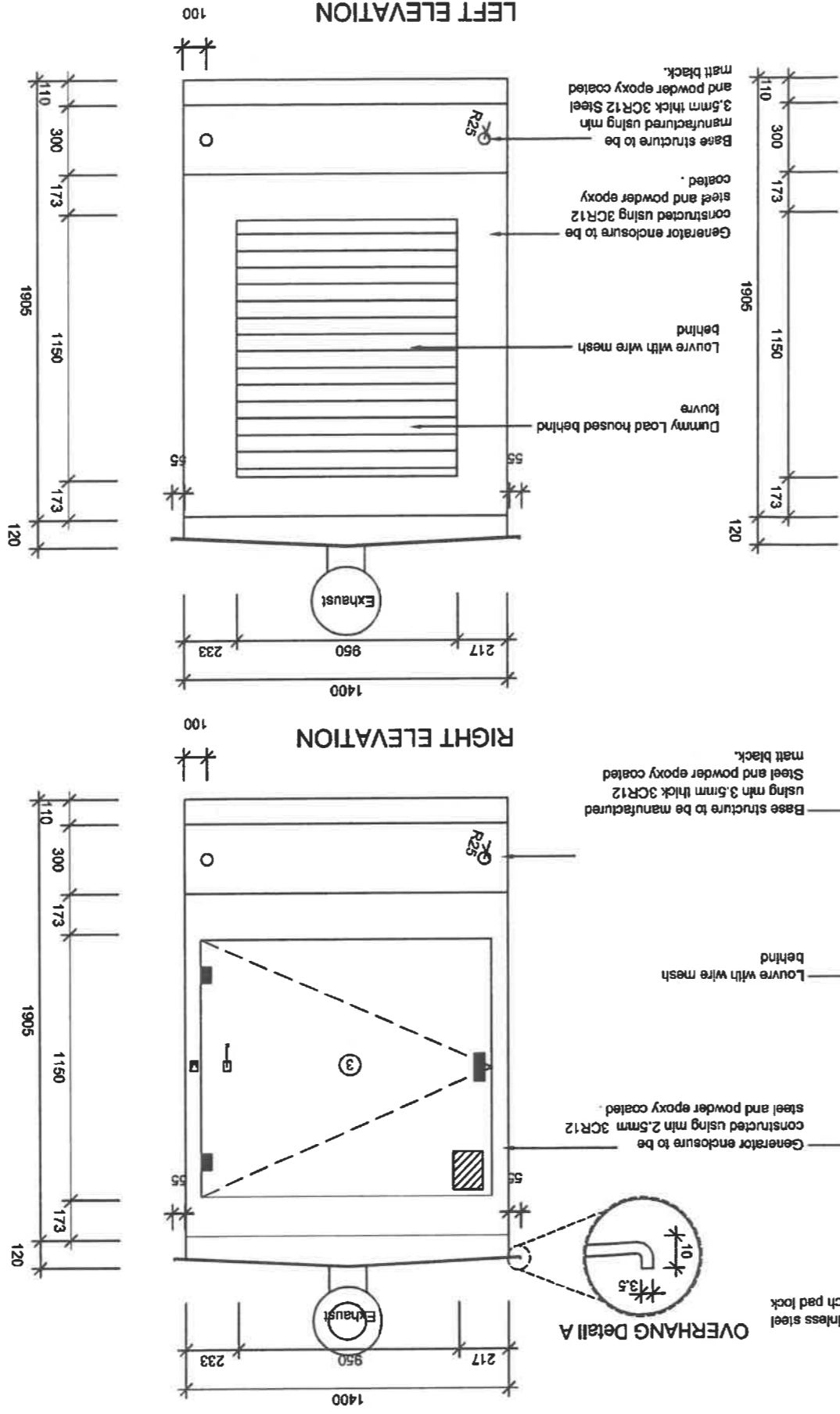
ref.no.
designed

scale
drawn

date
checked

D.P.W. drawing number

SKETCH 2



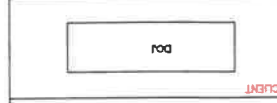
1/2000 3.0

1/2000 6m

Rev. No.	Rev. No.	Rev. No.
27/02/2023	27/02/2023	27/02/2023
Checked	Checked	Checked
A. Moko	A. Moko	A. Moko
Drawn	Drawn	Drawn
V. Mowiso	V. Mowiso	V. Mowiso
Designed	Designed	Designed
V. Mowiso	V. Mowiso	V. Mowiso
WCS No.	WCS No.	WCS No.
Drawn	Drawn	Drawn
V. Mowiso	V. Mowiso	V. Mowiso
Checked	Checked	Checked
A. Moko	A. Moko	A. Moko

Project Title: PMB HIGH COURT
 Drawing Title: LV BOARD WITH GENERATOR SPD

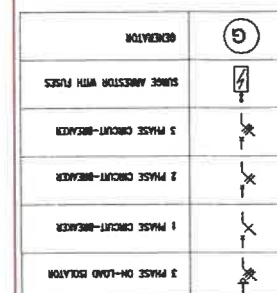
CLIENT	HOUSE ELECTRICAL TEAM
CONSULTANT	HOUSE ELECTRICAL TEAM
PROFESSIONAL REGISTRATION No.	
As Right Reserved by Consultant of Plans, Works & Documents	



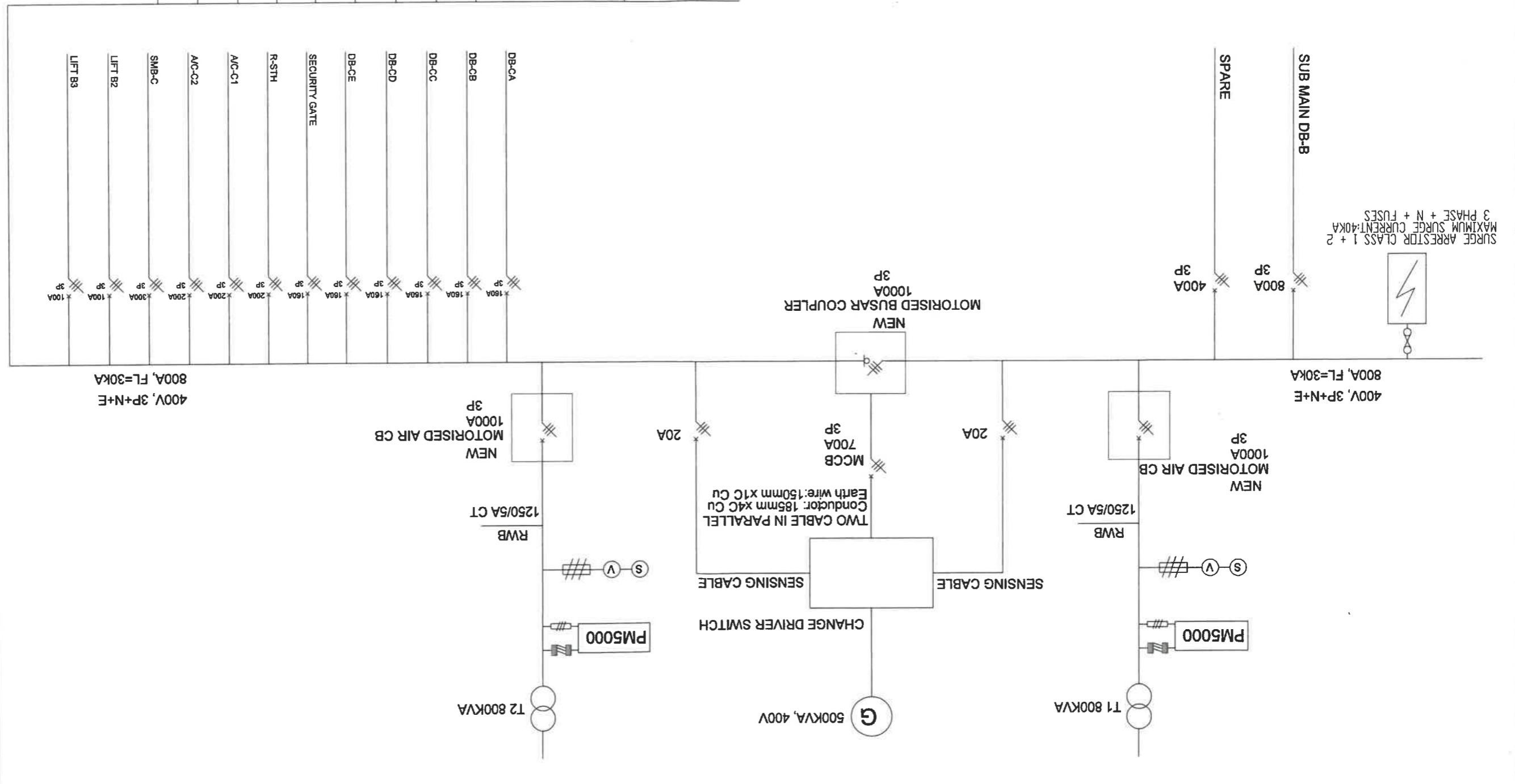
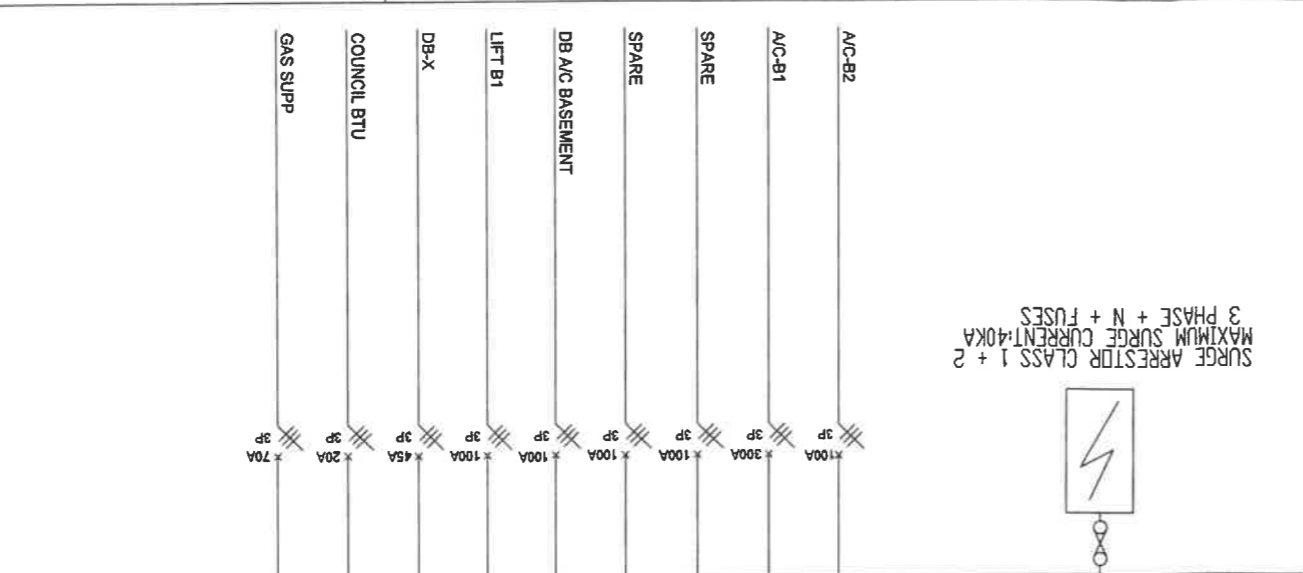
Client Contact: 1st Floor, 10111 Dandenong Road, Dandenong VIC 3175
 Tel: +61 3 9594 2779 Fax: +61 3 9594 2779

Professional Registration No. _____
 As Right Reserved by Consultant of Plans, Works & Documents

REV.	DESCRIPTION	DATE	BY



NOTES:
 1. THE CONTRACTOR SHALL BE RESPONSIBLE FOR THE DESIGN OF THE PROJECT AND ANY OTHER REQUIREMENTS FOR THE PROJECT.
 2. ALL WORK SHALL BE DONE IN ACCORDANCE TO THE NATIONAL ELECTRICAL CODE (NEC) AND THE SOUTH AFRICAN NATIONAL STANDARD (SANS) 10142-1:2017.
 3. THE CONTRACTOR SHALL BE RESPONSIBLE FOR OBTAINING ALL NECESSARY APPROVALS FROM THE APPLICABLE AUTHORITIES.
 4. THE CONTRACTOR SHALL BE RESPONSIBLE FOR THE PROTECTION OF ALL EXISTING SERVICES AND STRUCTURES.
 5. THE CONTRACTOR SHALL BE RESPONSIBLE FOR THE PROTECTION OF ALL EXISTING UTILITIES.
 6. THE CONTRACTOR SHALL BE RESPONSIBLE FOR THE PROTECTION OF ALL EXISTING LANDSCAPE AND VEGETATION.
 7. THE CONTRACTOR SHALL BE RESPONSIBLE FOR THE PROTECTION OF ALL EXISTING BUILDINGS AND STRUCTURES.
 8. THE CONTRACTOR SHALL BE RESPONSIBLE FOR THE PROTECTION OF ALL EXISTING SERVICES AND UTILITIES.
 9. THE CONTRACTOR SHALL BE RESPONSIBLE FOR THE PROTECTION OF ALL EXISTING LANDSCAPE AND VEGETATION.
 10. THE CONTRACTOR SHALL BE RESPONSIBLE FOR THE PROTECTION OF ALL EXISTING BUILDINGS AND STRUCTURES.



NOTES:

1. BEFORE EXECUTION WORK BEGINS, THE CONTRACTOR MUST OBTAIN APPROVAL FROM THE RESPONSIBLE INSPECTOR.
2. ALL WORK IS TO BE DONE IN ACCORDANCE TO SAIB TMS 1. 10%.
3. ALL REVISIONS ARE TO BE MADE BY THE ARCHITECT/ENGINEER.
4. ALL WORK IS TO BE DONE IN ACCORDANCE TO SAIB TMS 1. 10%.
5. ALL REVISIONS ARE TO BE MADE BY THE ARCHITECT/ENGINEER.

REVISIONS

REV.	DESCRIPTION	DATE	BY

SCHEMATIC LEGEND

- 3 PHASE ON-LOAD ISOLATOR
- 1 PHASE CIRCUIT-BREAKER
- 2 PHASE CIRCUIT-BREAKER
- 3 PHASE CIRCUIT-BREAKER
- 3 PHASE ARRESTOR WITH FUSES
- GENERATOR

CLIENT

PMB HIGH COURT

CONSULTANT

HOUSE ELECTRICAL TEAM

CONTRACT NO.

PROJECT TITLE

PMB HIGH COURT

PROJECT TITLE

600VA GENERATOR INTERGRATION WITH LV PANEL RLD

DRAWING TITLE

MAINTENANCE

DATE

27/02/2023

DESIGNER

V. MGVISO

CHECKED

A. MJOHA

SCALE

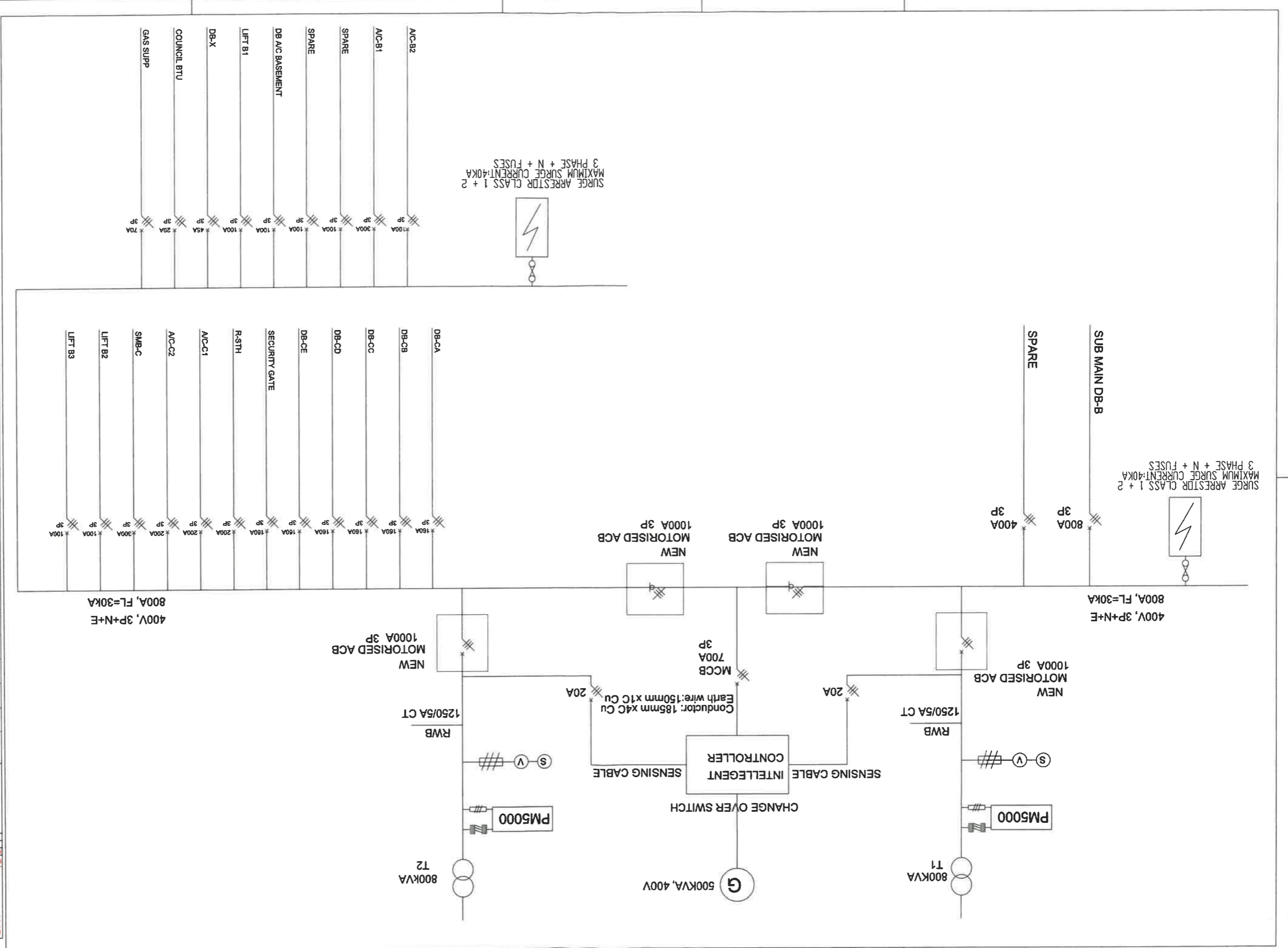
NTS

DRAWING NO.

EE-056889-3

REV. NO.

A1





3



4



1

ELECTRIC SHOCK TREATMENT

BEFORE ATTEMPTING ANY RESCUE OR ASSISTANCE, ALWAYS ENSURE YOUR OWN SAFETY

- DO NOT TOUCH CASUALTY WITH YOUR BARE HANDS WHILE HE IS IN CONTACT WITH THE LIVE WIRE
- SWITCH OFF CURRENT IF POSSIBLE
- INSULATE YOURSELF BY STANDING ON A PIECE OF DRY WOOD OR THICK FOLDED BLANKET OR COAT
- USING A DRY ROPE, BELT OR STICK MOVE THE WIRE FROM CASUALTY OR DRAG HIM AWAY FROM WIRE.

SEND FOR MEDICAL ASSISTANCE

- DO NOT GIVE STIMULANTS UNLESS ORDERED BY A DOCTOR
- APPLY STERILIZED DRESSING TO BURNS DO NOT REMOVE BURNED CLOTHING AND DO NOT BREAK BLISTERS.
- IF PATIENT IS BREATHING & KEEP HIM WARM, COVER WITH BLANKETS OR COATS.
- IF PATIENT IS NOT BREATHING LOOK FOR ANY OBSTRUCTION WHICH MAY BE IN HIS MOUTH

TREATMENT

PERFORM MOUTH TO MOUTH ARTIFICIAL RESPIRATION

A THIN HANDKERCHIEF MAY BE PLACED OVER THE CASUALTY'S MOUTH OR NOSE IF DESIRED.

A. PLACE THE CASUALTY ON HIS BACK AND SIT OR KNEEL ON THE SIDE OF HIS HEAD, HOLD THE HEAD IN HANDS, ONE PRESSING IT BACKWARDS THE OTHER PUSHING THE LOWER JAW UPWARDS AND FORWARD. THIS IS IMPORTANT TO ENSURE AN UNRESTRICTED PASSAGE TO THE CASUALTY'S LUNGS.

B. PINCH THE CASUALTY'S NOSE CLOSED WITH ONE HAND.

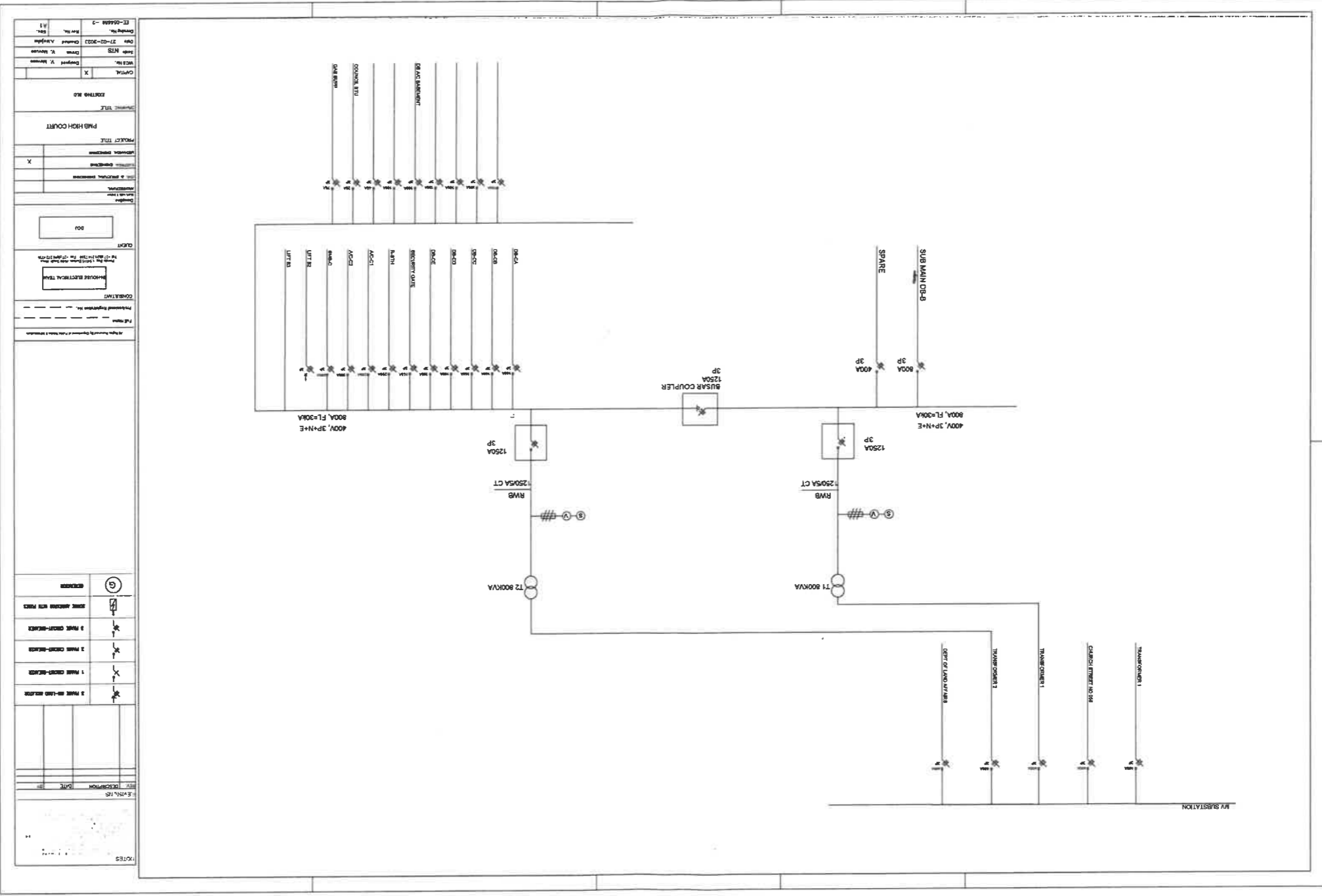
C. TAKE A DEEP BREATH, OPEN YOUR MOUTH WIDE AND SEAL YOUR LIPS AROUND THE CASUALTY'S MOUTH, BLOW AIR STABLY ON TO THE CASUALTY'S LUNGS UNTIL HIS CHEST RISES.

D. REMOVE YOUR MOUTH AND TURN YOUR FACE TO ONE SIDE TO TAKE ANOTHER BREATH. THE CASUALTY WILL AUTOMATICALLY BREATHE OUT THROUGH HIS MOUTH.

E. SIX BREATHS SHOULD BE GIVEN AS QUICKLY AS POSSIBLE THEN REPEAT THE CYCLE AT 4 SECOND INTERVALS KEEP PATIENTS HEAD PASSED BACK AT ALL TIMES.

2

No.	DATE	AMENDMENT	D.P.W.
1		Danger sign- Automated engine start without notice	
2		Electrical Shock Treatment Sign	
3		Multilingual Danger sign	
4		Electrical Hazard Sign	
Copyright vests in the Department of Public Works			
cad file name			
<p>Department of Public Works REPUBLIC OF SOUTH AFRICA</p> <p>MR. SIVWE DONGWANA DIRECTOR-GENERAL</p>			
<p>discipline ELECTRICAL</p> <p>service ELECTRICAL GENERATOR LAYOUT DRAWING FOR GENERATORS</p> <p>WCS number N/A</p> <p>drawing title TYPICAL GENERATOR SAFETY SIGNAGE</p> <p>ref.no. designed</p> <p>scale drawn</p> <p>date checked</p> <p>DPM drawing number</p> <p>SKETCH 3</p>			



PROJECT NO.	11
DATE	2013
PROJECT TITLE	PUB HIGH COURT
DRAWN BY	X
CHECKED BY	X
DESIGNED BY	X
APPROVED BY	X
PROJECT NO.	11
DATE	2013
PROJECT TITLE	PUB HIGH COURT
DRAWN BY	X
CHECKED BY	X
DESIGNED BY	X
APPROVED BY	X
PROJECT NO.	11
DATE	2013
PROJECT TITLE	PUB HIGH COURT
DRAWN BY	X
CHECKED BY	X
DESIGNED BY	X
APPROVED BY	X

SE-056689-01	DRAWING NO.
REVISION	

As shown	SCALE
DATE	PRINT
SIZE	A3

S.T.	N.M.
BY	CHECKED
DRAWN	

PROJECT
PIETERMARITZBURG_HIGH_COURT
GENERATOR_AND_DIESEL_TANK
PLINTH

CONSULTING ENGINEER

 Department: Public Works and Infrastructures
 REPUBLIC OF SOUTH AFRICA

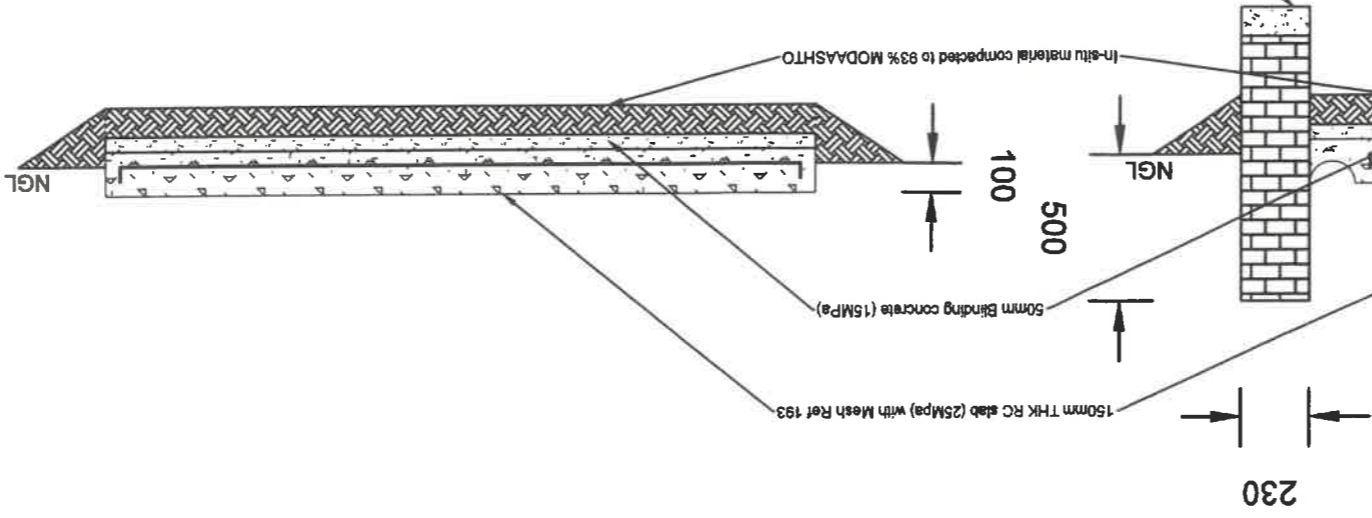
CLIENT

 Department: Justice and Constitutional Development
 REPUBLIC OF SOUTH AFRICA

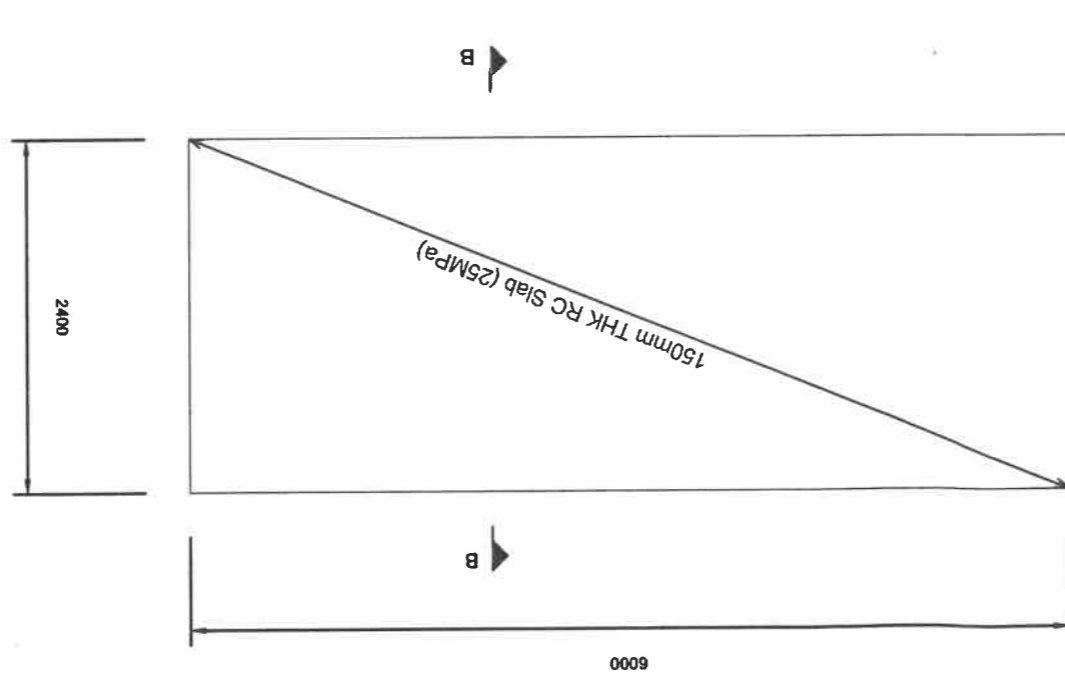
REVISION	DATE	DESCRIPTION

- NOTES
1. THIS DRAWING IS TO BE READ IN CONJUNCTION WITH ALL ARCHITECTS DRAWINGS AND SPECIFICATIONS AND ENGINEERS DRAWINGS AND SPECIFICATIONS.
 2. ALL DETAILS AND DIMENSIONS SHOWN ON THIS DRAWING ARE SUBJECT TO CONFIRMATION ON SITE AND DURING CONSTRUCTION, ANY DISCREPANCIES TO BE BROUGHT TO THE ATTENTION OF THE ENGINEER.
 3. ALL EXCAVATIONS/TRENCHES MUST BE INSPECTED BY THE ENGINEER BEFORE THE CONCRETE IS CAST. CONCRETE COVER TO BE 50mm.
 4. PLINTH TO BE BUILT AS PER SANS 10089-1: 2008.
 5. CONCRETE TO BE CURED PROPERLY USING AN APPROVED METHOD OF MOISTURE RETENTION.
 6. BLINDING LAYER OF 50mm UNDER THE PLINTH WITH STRENGTH OF 15 MPa.
 7. MINIMUM ALLOWANCE OF 3.0m FROM THE PROPERTY BOUNDARY AND 1.5m CLEARANCE FROM BUILDINGS.
 8. BUNDWALL FOUNDATION TRENCH TO BE 500mm BELOW NGL. NFX BRICKS TO BE USED FOR FOUNDATION. BUNDWALL BRICKS TO MATCH EXISTING BUILDINGS.

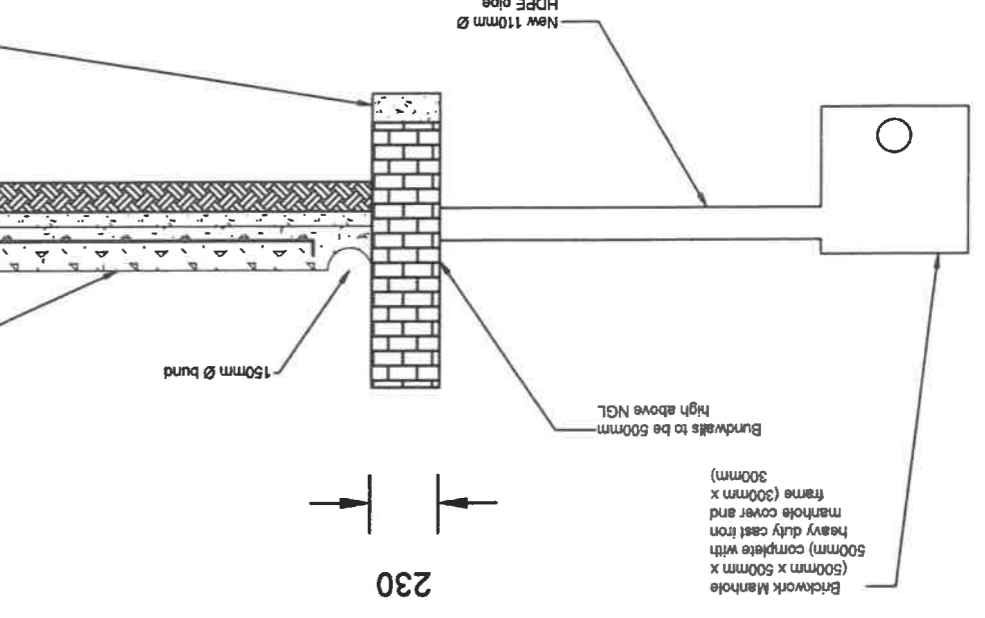
Section B-B
Scale 1:25



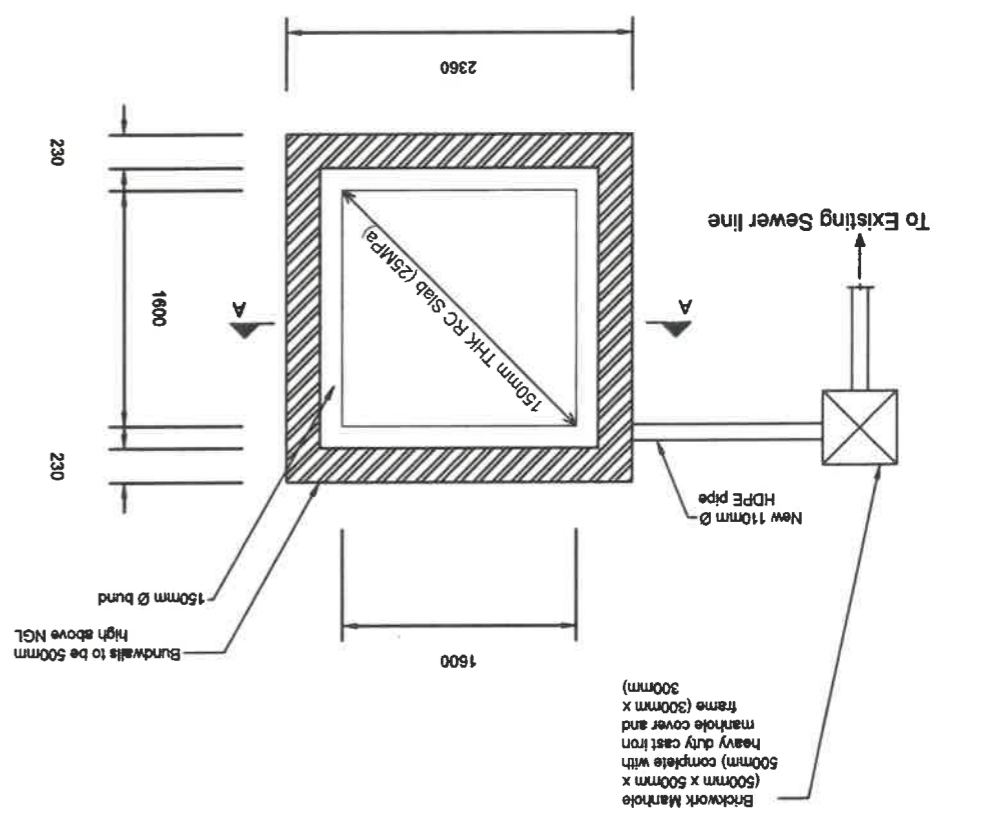
Generator Plinth Plan View
Scale 1:50



Section A-A
Scale 1:25



Diesel Tank Plinth Plan View
Scale 1:50



No. DATE: _____
 DWG. NO.: _____
 PROJECT: _____
 SHEET: _____
 OF _____
 DRAWN BY: _____
 CHECKED BY: _____
 APPROVED BY: _____
 DATE: _____

1.000L DAY TANK ON A 1.0m STAND
 TANK WITH FUEL INDICATOR
 BREATHER
 BUND WALL 1.6m x 1.6m x 0.5m
 PUMP WITH FILTER & SHUT OFF VALVES
 500KVA GENERATOR WITH A 1000L BASE TANK
 STAINLESS STEEL EXHAUST TO EXTEND

RAMP TO OFFICAL PARKING
 COURT ENTRANCE AND YARD
 LV ROOM
 TRANSFORMER ROOM
 MV SUB

FILLING POINT WITH FUELING CAP 75mm
 FACE BRICK WALL
 STEEL FENCE ON WALL

PROJECT: GENERATOR INSTALLATION
 ELECTRICAL
 SHEET NO: 056689
 DATE: 27-02-2023
 DRAWN BY: M.A. HLOPHE
 CHECKED BY: M.A. HLOPHE
 APPROVED BY: R. MAMWALA
 PROJECT NO: EE-056689-1

