

SOUTH AFRICAN POLICE SERVICE

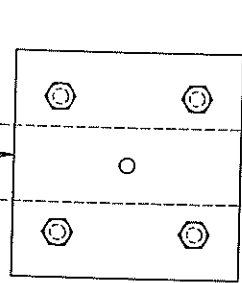
PROJECT 5 STAR

DRAWING NR.		DESCRIPTION	SAP NUMBER
1	5-ST-A.DRW	Ground Floor Plan Complete Cell Block	Annexure A
2	5-ST-B.DRW	Ground Floor Plan 2 x Cell blocks with shower on outside of cell	Annexure B
3	5-ST-C.DRW	Ground Floor Plan 2 x Cells with shower in exercise yard	Annexure C
4	Admission.drw	Type Cell Admission Counter	POL 2006/A
5	Bench.drw	Type Cell Bench	POL 2006/B1
6	Trellis1.drw	Type Cell Door Elevations - Door type T2 & T3	POL 2006/D1
7	Trellis1a.drw	Type Cell Door Elevations - Door type T1 & T3/1	POL 2006/D1a
8	Trellis4.drw	Type Cell Door Plans & Sections 1 : 10	POL 2006/D2
9	Trellis2.drw	Type Cell Door Section B - B	POL 2006/D3
10	Trellis3.drw	Type Cell Door Section A - A & Details	POL 2006/D4
11	Lockset1.drw	Type Cell Door Lock & Lock Box	POL 2006/D5
12	Shelving.drw	Type Cell Block Shelving Section	POL 2006/F1
13	Exercise Roof.drw	Type Cell Overhead Grills	POL 2006/G1
14	Toilet.drw	Type Cell WC Pan Detail, Section & Elevation	POL 2006/S1
15	Drinking Fountain.drw	Type Cell Hand Wash Basin	POL 2006/S2
16	Shower.drw	Type Cell Shower Detail Section	POL 2006/S3
17	Visitors1.drw	Type Cell Counter Section	POL 2006/V1
18	Visitors2.drw	Type Cell Counter For Visitors Plan	POL 2006/V2
19	Visitors3.drw	Type Cell Elevation Of Desk Window & Stool	POL 2006/V3
20	Cell Window1.drw	Type Cell Window Detail	POL 2006/W1
21	Cell Window2.drw	Type Cell Window Detail Plan Details	POL 2006/W2
22	Cell Window 3.drw	Type Cell Window Detail Section	POL 2006/W3
23	Genrm-01.drw	Generator Room	Genrm-01

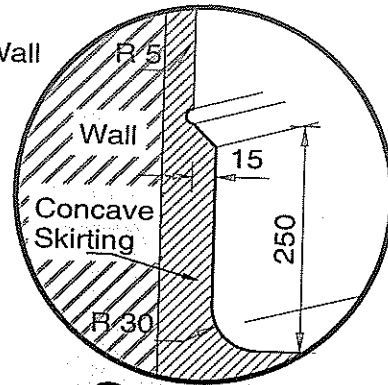


**NOTE:**  
 All work according to Departmental Specification PW 371  
**All steel to be Galvanised**  
 All steel work to be hot dipped galvanised, all in accordance with SABS Specification 763.  
 - see PW 371 Section 13  
 Clause 13.1 to 13.3

150 x 150 x 6 mm Mild Steel 20 mm solid roundbar welded to baseplate and cuff rail  
 4 x M10 full threaded bolts, chemically anchored to wall



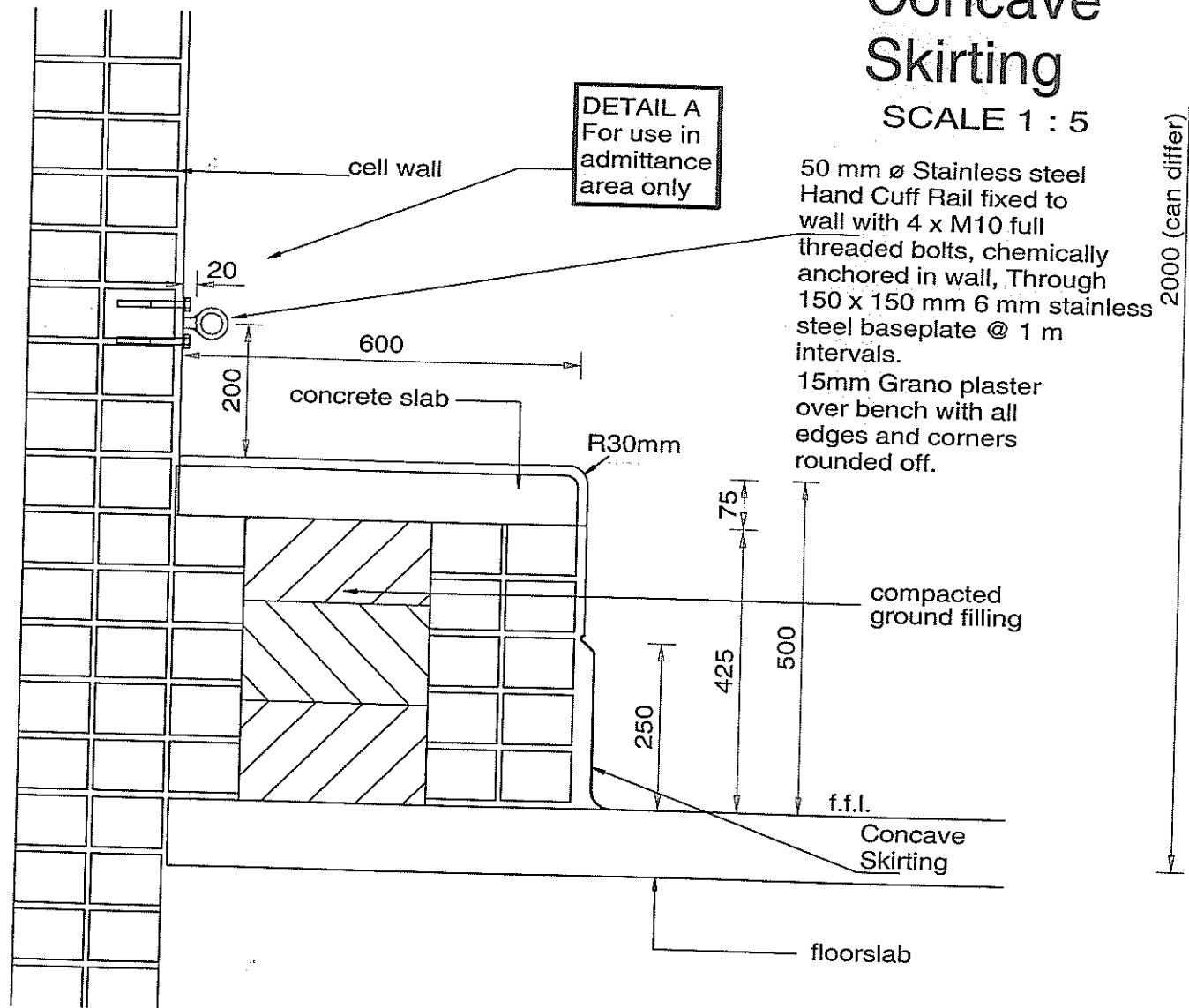
50 mm ø (2 mm Wall Thickness) Cold rolled round tube



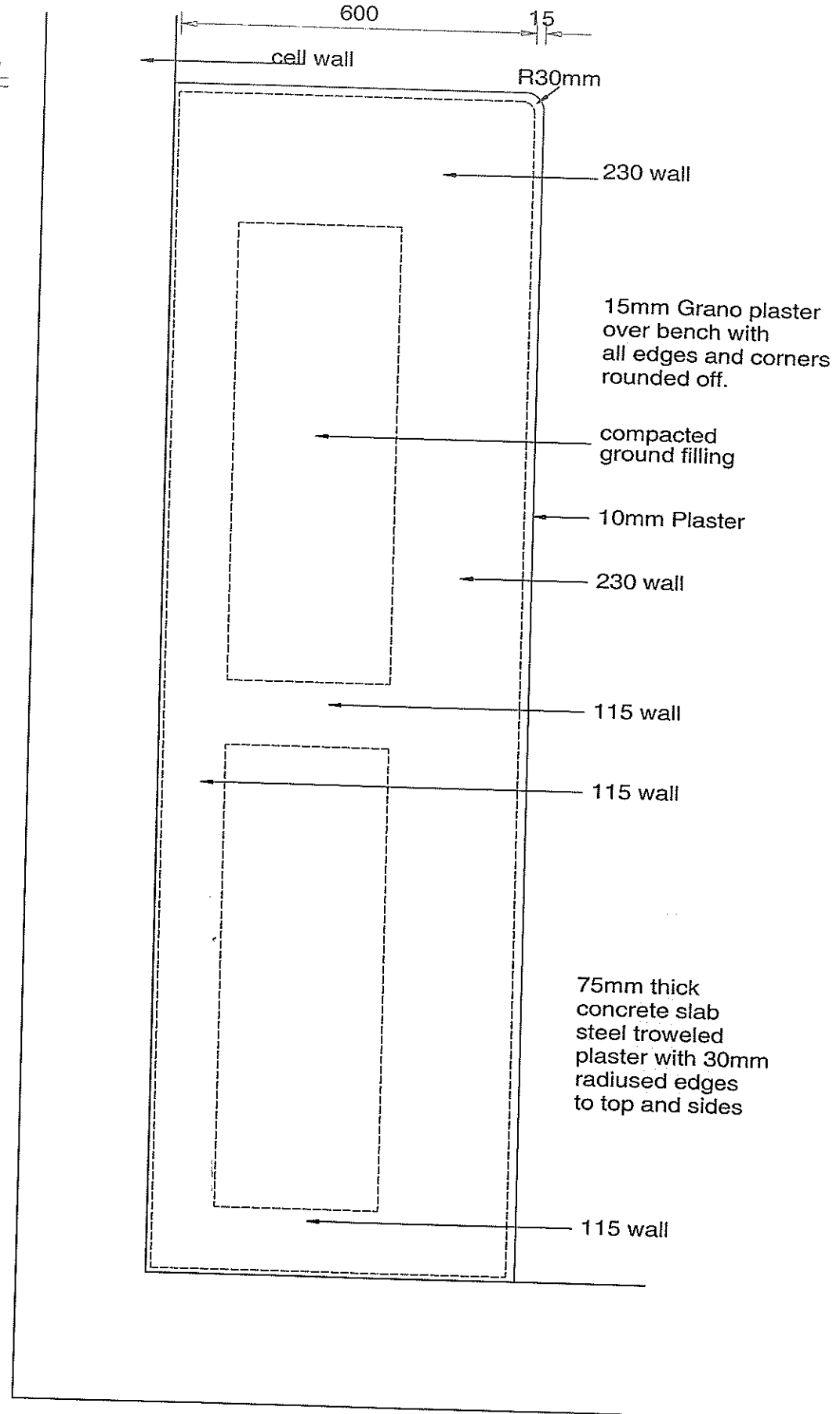
**Concave Skirting**  
 SCALE 1 : 5

50 mm ø Stainless steel Hand Cuff Rail fixed to wall with 4 x M10 full threaded bolts, chemically anchored in wall, Through 150 x 150 mm 6 mm stainless steel baseplate @ 1 m intervals.  
 15mm Grano plaster over bench with all edges and corners rounded off.

**DETAIL A**  
 For use in admittance area only



**BENCH DETAIL SECTION**  
 SCALE 1 : 10



**BENCH DETAIL PLAN**  
 SCALE 1 : 10

NO	DATE	AMENDMENT	D.P.W.

Copyright vests in the Department of Public Works

**NOTE**  
 References to trade names are used only to simplify detailing. Various similar and approved products are available and can be substituted with prior approval from SABS SCM (Expert Services) Pretoria. Tel (012) 845 8726 Fax (012) 845 8762

cad file name  
 POL2006-B1.DRW  
 CELL BENCH

DEPARTMENT OF PUBLIC WORKS  
 Private Bag X65  
 Pretoria  
 0001  
 Tel (012) 337 2000  
 Director-General:  
 T.M. Sokutu

consultant/departmental

discipline  
**ARCHITECTURAL**

service  
**SOUTH AFRICAN POLICE SERVICE**

WCS number

drawing title  
**TYPE CELL BENCH**

ref.no.                      designed

scale **As Shown**        drawn    cds

date **JUNE 2006**        checked

type number **POL 2006/B1**

drawing number

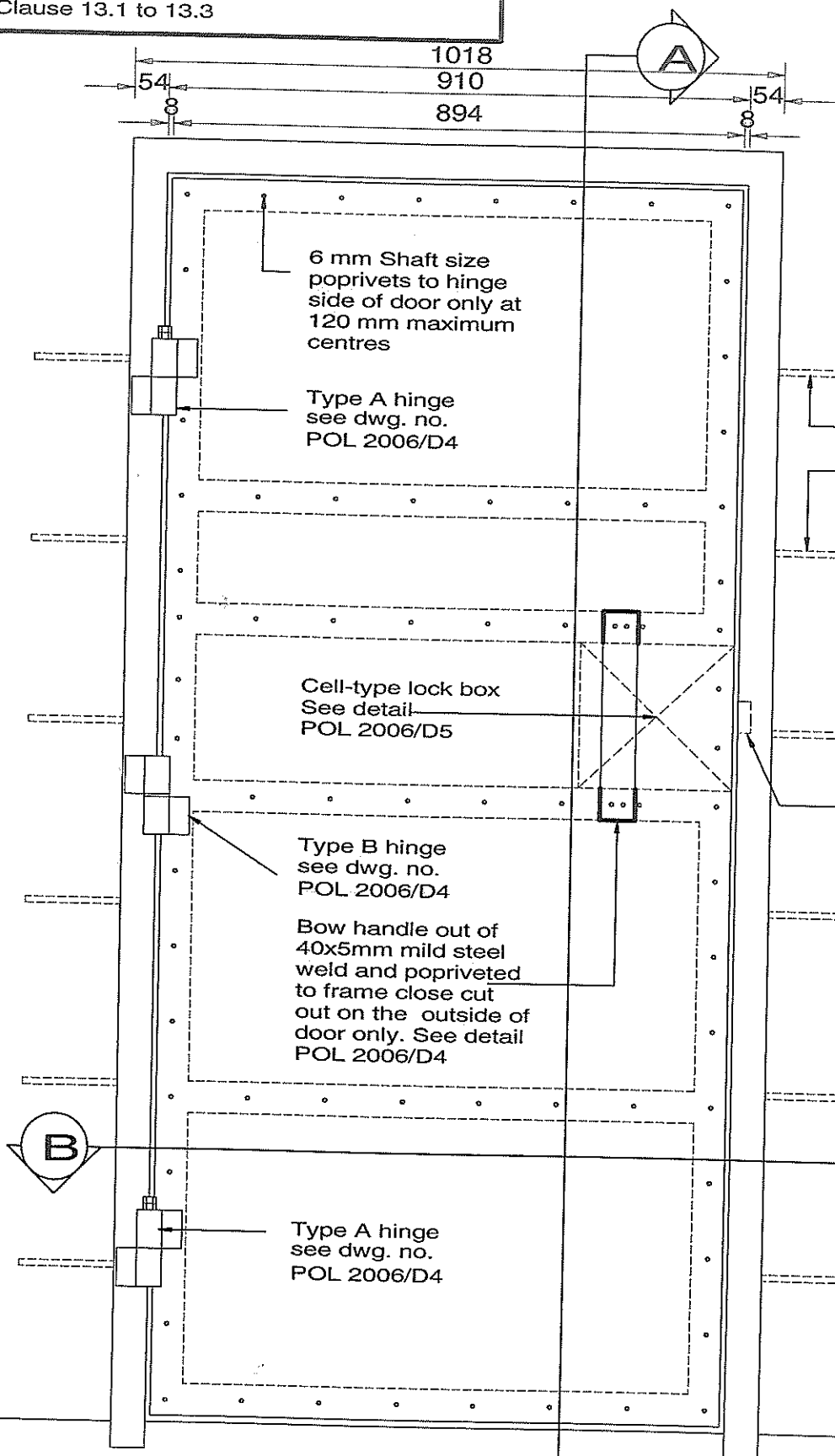
**NOTE:**

All work according to Departmental Specification PW 371

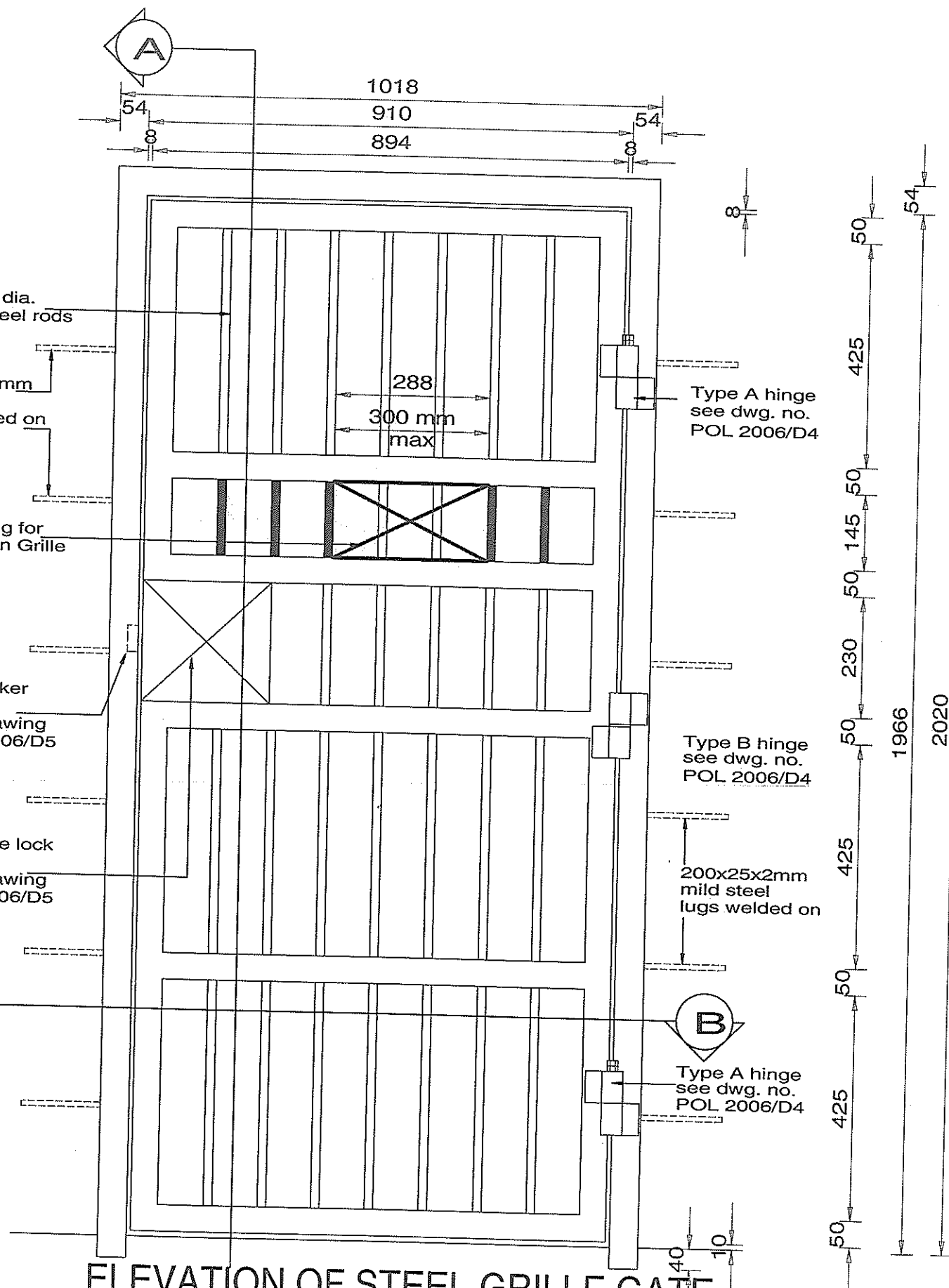
All steel to be Galvanised

All steel work to be hot dipped galvanised, all in accordance with SABS Specification 763.

- see PW 371 Section 13 Clause 13.1 to 13.3



**ELEVATION OF SOLID STEEL DOOR (TYPE T2) SCALE 1:10**



**ELEVATION OF STEEL GRILLE GATE (TYPE T3) SCALE 1:10**

NO.	DATE	AMENDMENT	D.P.W.

Copyright vests in the Department of Public Works

**NOTE**

References to trade names are used only to simplify detailing. Various similar and approved products are available and can be substituted with prior approval from SAPS SCM (Expert Services) Pretoria. Tel (012) 845 8726 Fax (012) 845 8762

cad file name  
POL2006-D1.DRW  
CELL DOOR

DEPARTMENT OF PUBLIC WORKS  
Private Bag X65  
Pretoria  
0001  
Tel (012) 337 2000  
Director-General:  
T.M. Sokutu

consultant/departmental

discipline  
**ARCHITECTURAL**

service  
**SOUTH AFRICAN POLICE SERVICE**

WCS number

drawing title  
**TYPE CELL DOOR ELEVATIONS**

ref.no. \_\_\_\_\_ designed \_\_\_\_\_

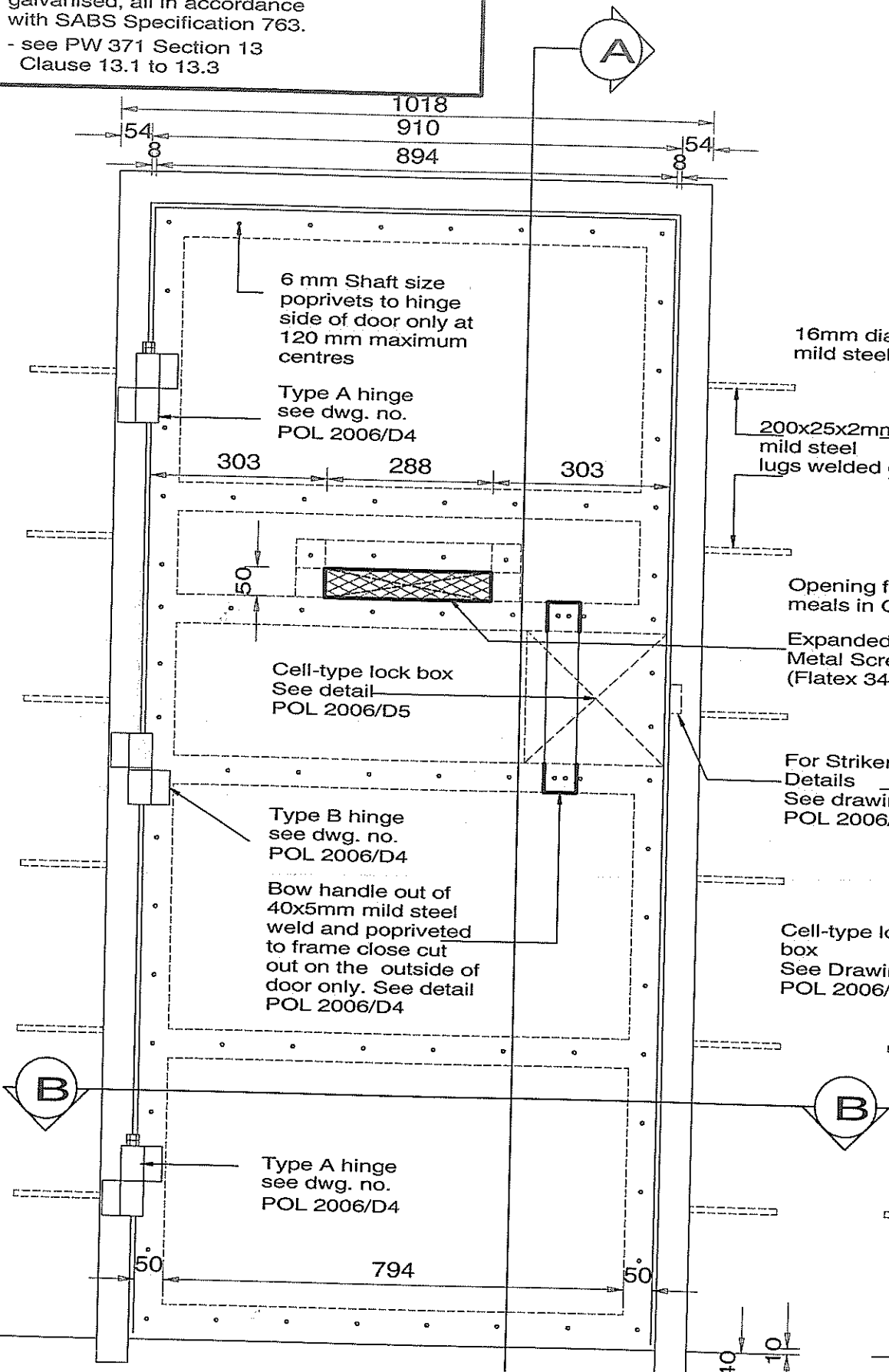
scale **As Shown** drawn **cds**

date **JUNE 2006** checked \_\_\_\_\_

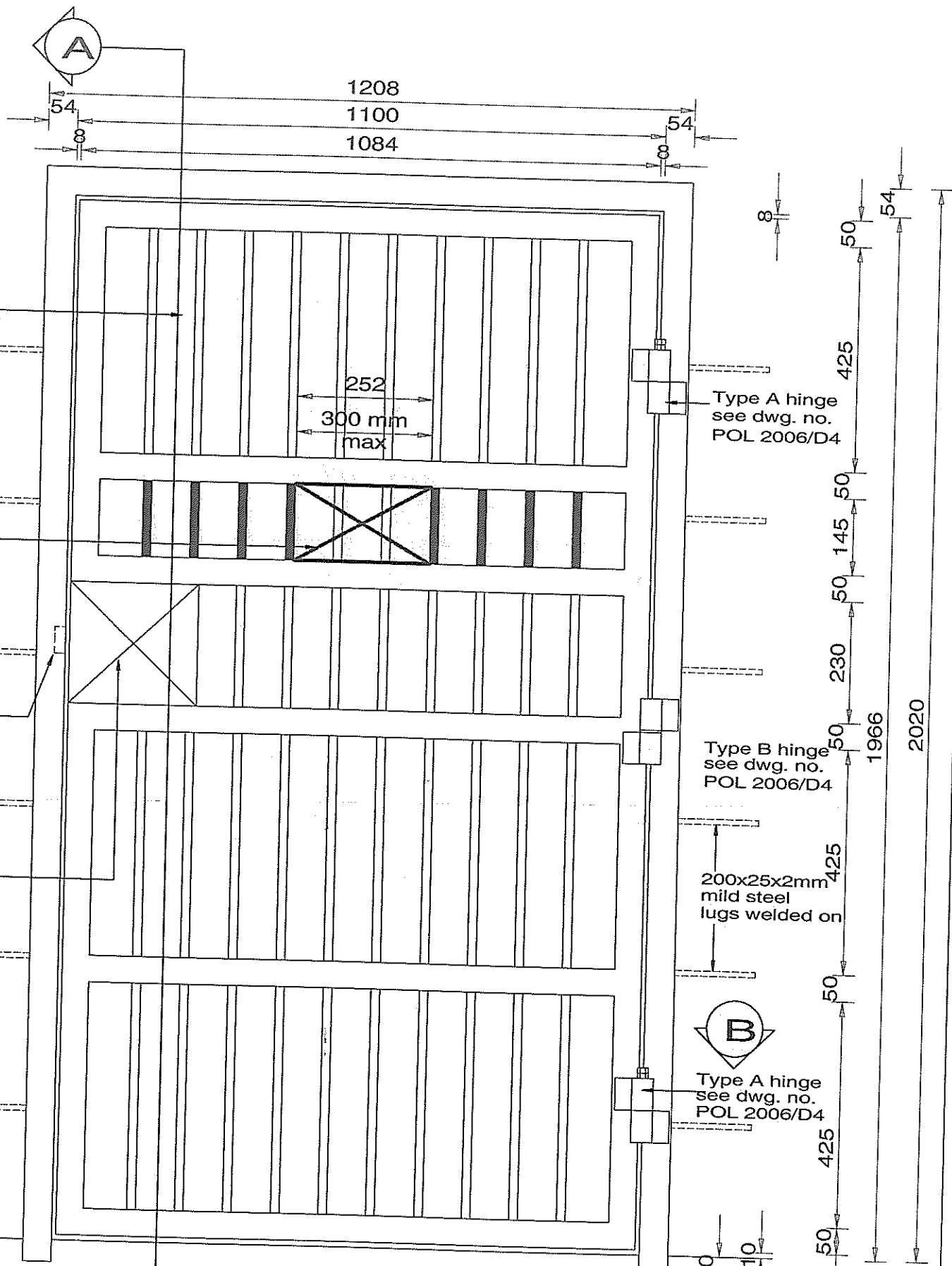
type number **POL 2006/D1**

drawing number

**NOTE:**  
 All work according to Departmental Specification PW 371  
**All steel to be Galvanised**  
 All steel work to be hot dipped galvanised, all in accordance with SABS Specification 763.  
 - see PW 371 Section 13  
 Clause 13.1 to 13.3



**ELEVATION OF SOLID STEEL DOOR WITH VIEWING PANEL (TYPE T1) SCALE 1:10**



**ELEVATION OF STEEL GRILLE GATE (TYPE T3/1) SCALE 1:10**

NO	DATE	AMENDMENT	D.P.W.

Copyright vests in the Department of Public Works

**NOTE**  
 References to trade names are used only to simplify detailing. Various similar and approved products are available and can be substituted with prior approval from SAPS SCM (Expert Services) Pretoria. Tel (012) 845 8726 Fax (012) 845 8762

cad file name  
 POL2006-D1a.DRW  
 CELL DOOR

DEPARTMENT OF PUBLIC WORKS  
 Private Bag X65  
 Pretoria 0001  
 Tel (012) 337 2000  
 Director-General:  
 T.M. Sokutu

consultant/departmental

discipline  
 ARCHITECTURAL

service  
 SOUTH AFRICAN POLICE SERVICE

WCS number

drawing title  
**TYPE CELL DOOR ELEVATIONS**

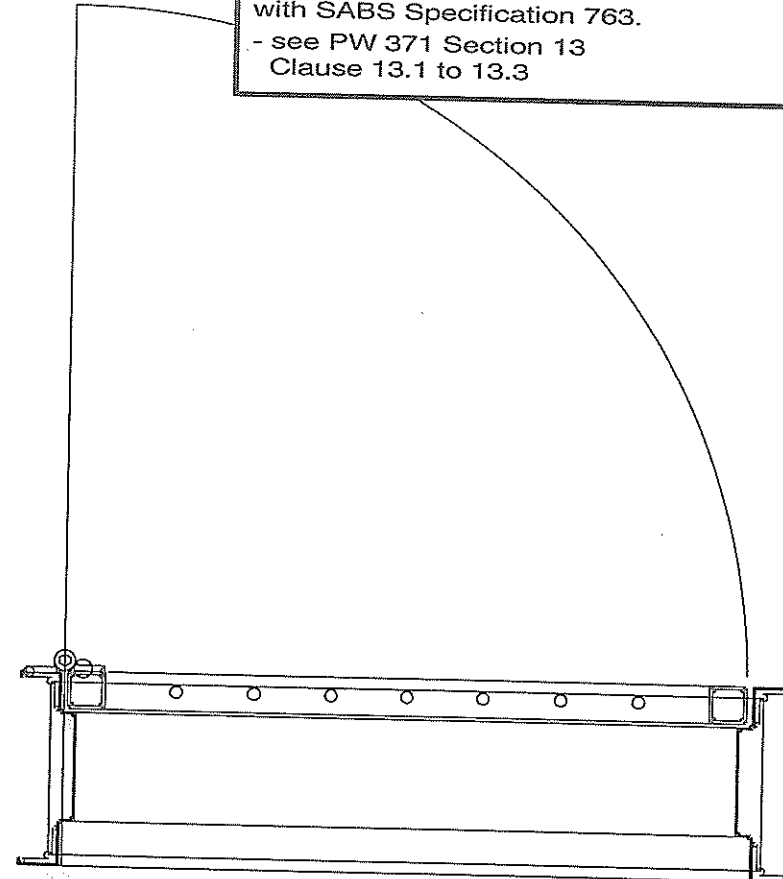
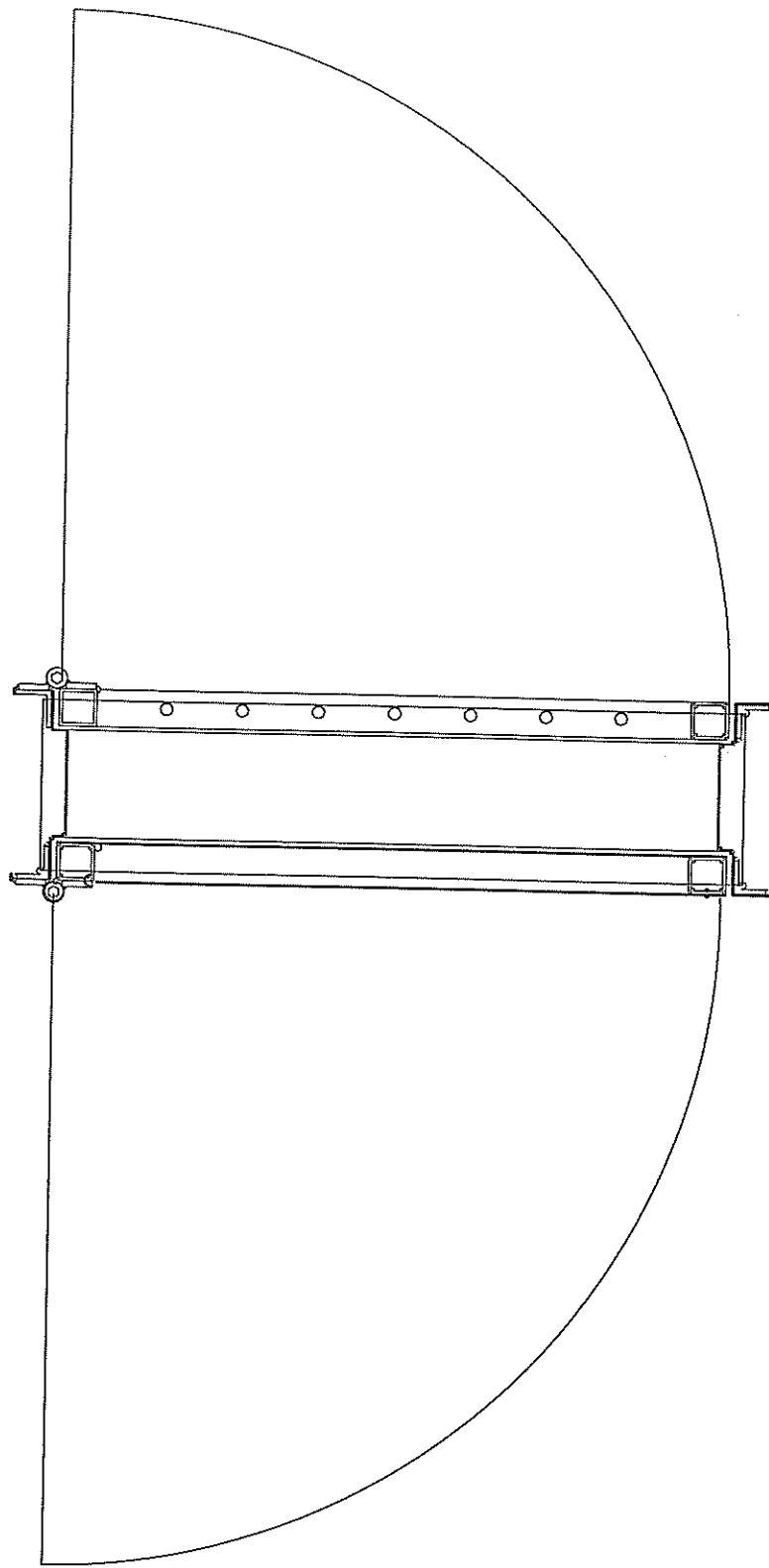
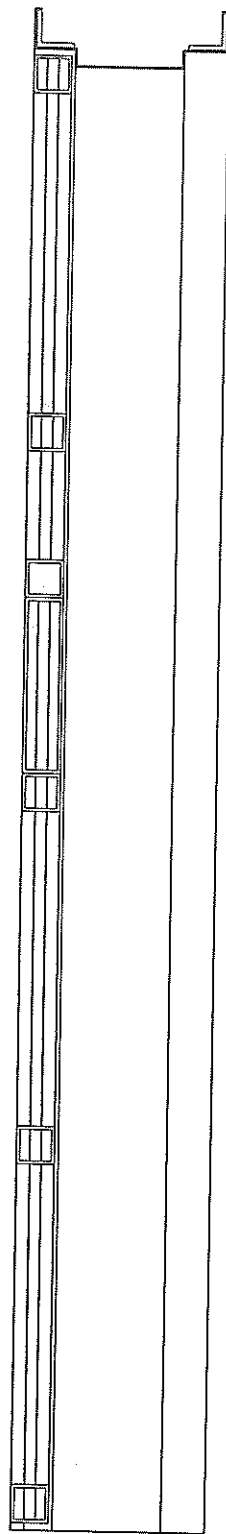
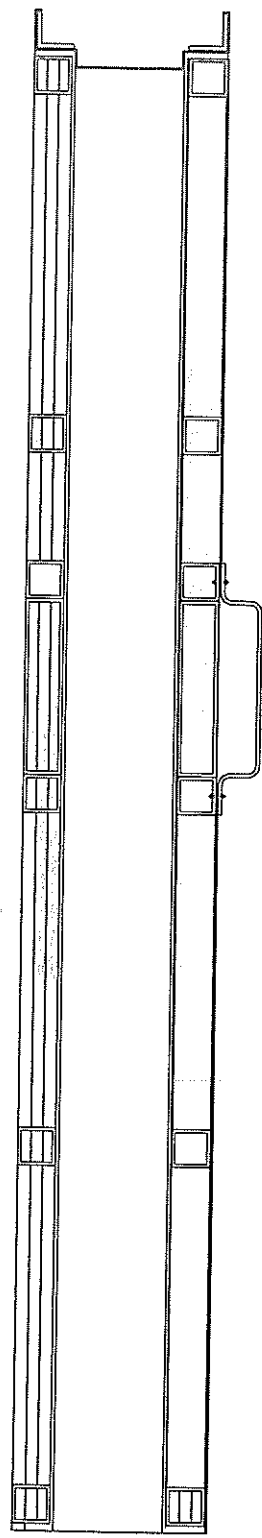
ref.no. designed

scale As Shown drawn cds

date JUNE 2006 checked

type number  
 POL 2006/D1a

drawing number



**NOTE:**  
 All work according to Departmental Specification PW 371  
**All steel to be Galvanised**  
 All steel work to be hot dipped galvanised, all in accordance with SABS Specification 763.  
 - see PW 371 Section 13 Clause 13.1 to 13.3

NO.	DATE	AMENDMENT	D.P.W.

Copyright vests in the Department of Public Works

**NOTE**

References to trade names are used only to simplify detailing. Various similar and approved products are available and can be substituted with prior approval from SAPS SCM (Expert Services) Pretoria.  
 Tel (012) 845 8726  
 Fax (012) 845 8762

cad file name  
 POL2006-D2.DRW  
 CELL DOOR PLANS & SECTIONS


DEPARTMENT OF PUBLIC WORKS  
 Private Bag X65  
 Pretoria  
 0001  
 Tel (012) 337 2000  
 Director-General:  
 T.M. Sokutu

consultant/departmental

---

discipline  
**ARCHITECTURAL**

service  
**SOUTH AFRICAN POLICE SERVICE**



WCS number

---

drawing title  
**TYPE CELL DOOR PLANS & SECTIONS**

ref.no \_\_\_\_\_ designed \_\_\_\_\_

scale **As Shown** drawn **cds**

date **JUNE 2006** checked \_\_\_\_\_

type number **POL 2006/D2**

drawing number

**SECTION A-A**  
 SCALE 1:10  
**CELL DOOR & GRILLE GATE**

**SECTION A-A**  
 SCALE 1:10  
**GRILLE GATE ONLY**

**PLAN B-B**  
**Cell Door & Grille Gate**  
 SCALE 1:10

**PLAN B-B**  
**Cell Grille Gate Only**  
 SCALE 1:10

**FRAMES**

Frame manufactured from steel angles and 2mm thick steel sheet shaped into sizes as per Detail Drawings Nos POL 2006/D1, /D3 & /D4

**HINGES**

3 hinges per leaf with middle hinge up side down as per Hinge Detail Drawing No POL 2006/D5

**DOORS**

Door & Grille manufactured from steel tubing, bars and steel sheet metal shaped into sizes as per Detail Drawings Nos POL 2006/D1, /D3 & /D4

**GRILLE GATES**

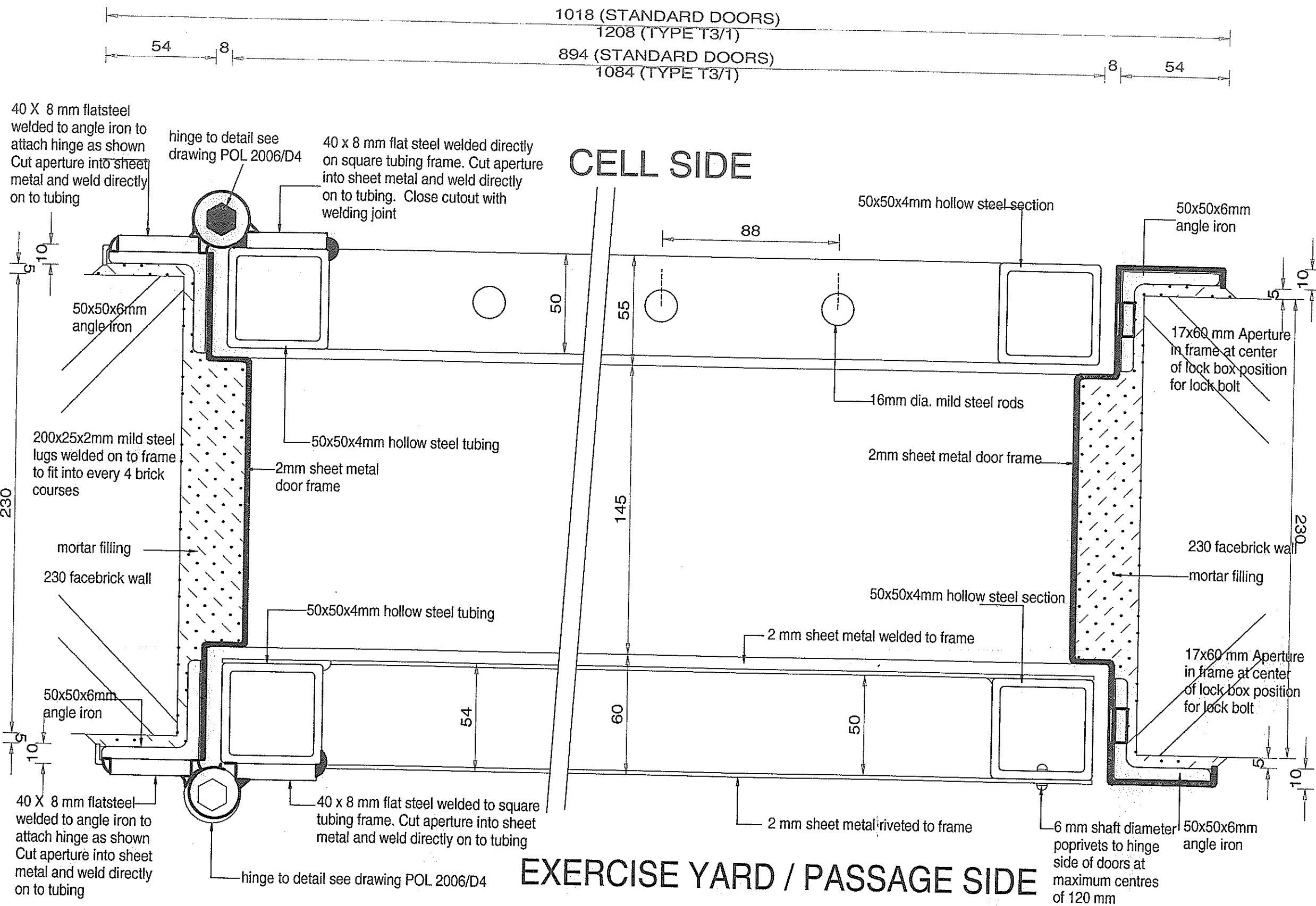
Grille manufactured from steel tubing, bars and shaped into sizes as per Detail Drawings No POL 2006/D1, /D3 & /D4

**LOCKS & LOCK BOXES**

Lockbox can be orderd from SAPS Logistics and welded into Door & Gate. Supply of locks to be co-ordinated and acquired by Logistics (Building Services) Pretoria against the contract budget. See also Drawing POL 2006/D5

**HANDLES**

Handle as detailed on Drawing No POL 2006/D4 to be supplied only to the outside of solid door leaf



NO	DATE	AMENDMENT	D.P.W.

Copyright vests in the Department of Public Works

**NOTE**  
References to trade names are used only to simplify detailing. Various similar and approved products are available and can be substituted with prior approval from SAPS SCM (Expert Services) Pretoria. Tel (012) 845 8726 Fax (012) 845 8762

cad file name  
POL2006-D3.DRW  
DOOR SECTION B-B

DEPARTMENT OF PUBLIC WORKS  
Private Bag X65  
Pretoria  
0001  
Tel (012) 337 2000  
Director-General:  
T.M. Sokutu

consultant/departmental  
discipline  
ARCHITECTURAL  
service  
SOUTH AFRICAN POLICE SERVICE

WCS number

drawing title  
**TYPE CELL DOOR SECTION B - B**

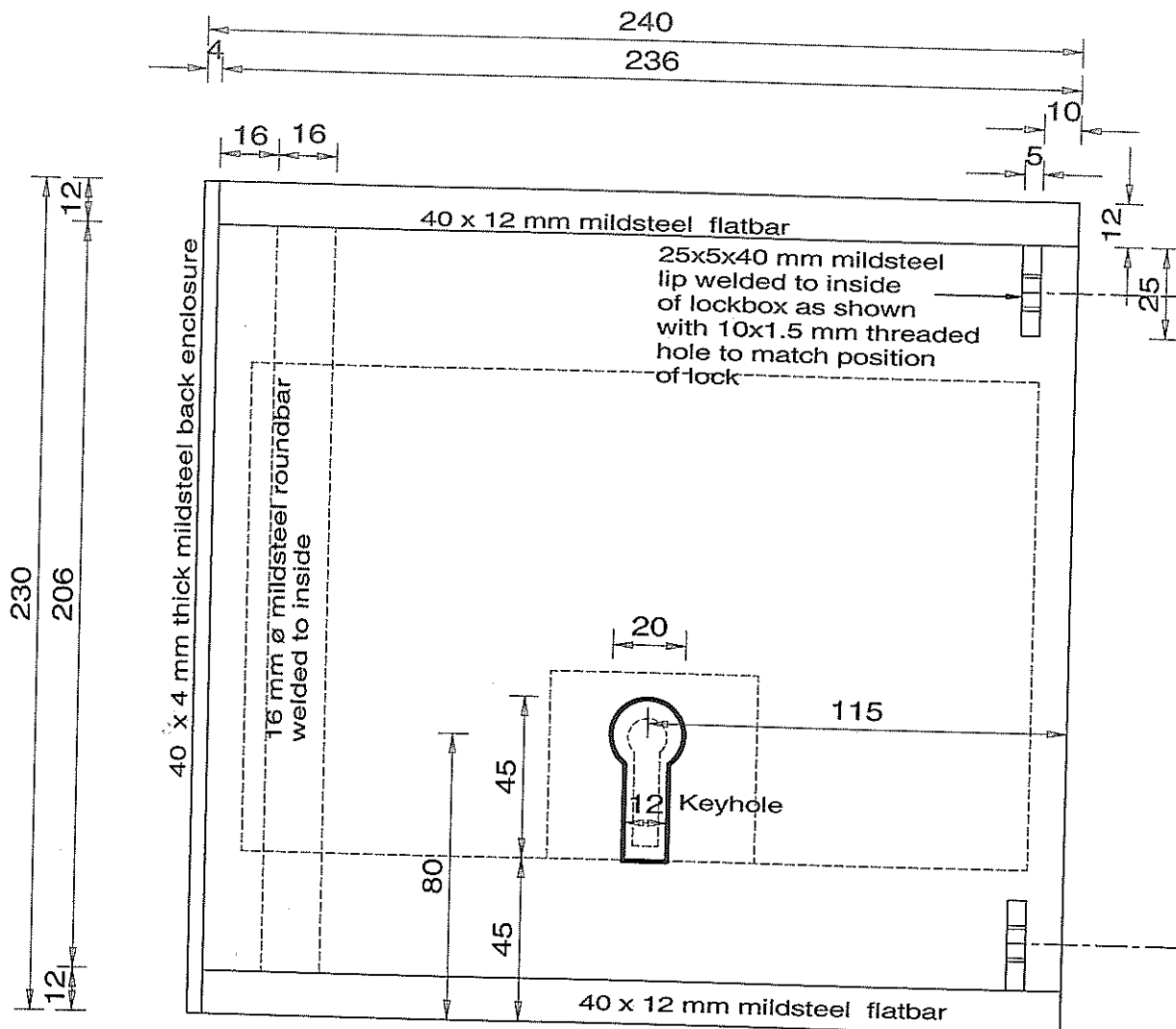
ref.no	designed
scale	As Shown
date	JUNE 2006
type number	POL 2006/D3
drawing number	

**NOTE:**  
All work according to Departmental Specification PW 371  
All steel to be Galvanised  
All steel work to be hot dipped galvanised, all in accordance with SABS Specification 763.  
- see PW 371 Section 13 Clause 13.1 to 13.3



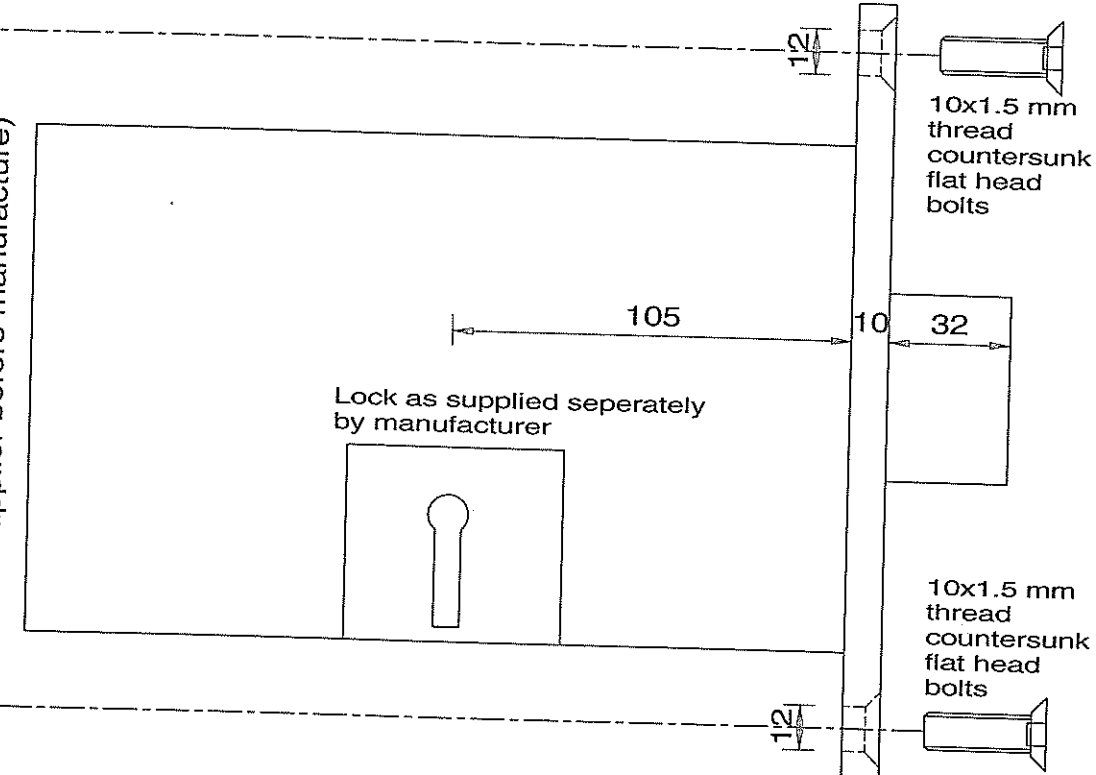
**NOTE:**

LOCKS AND LOCKBOXES (CAN BE SUPPLIED BY SAPS LOGISTICS PRETORIA) WELDED INTO DOOR AND GATE. ORDER AND SUPPLIES TO BE CO-ORDINATED AND ACQUIRED BY SCM (BUILDING SERVICES) PRETORIA  
 TEL: (012) 841 7368, BUT PROCURED FROM THEM AGAINST THE CONTRACT BUDGET.



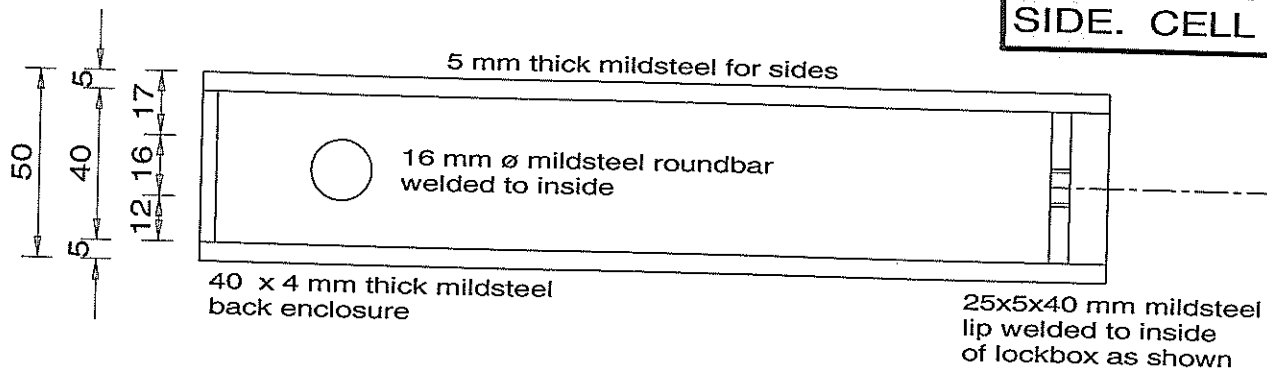
**LOCK BOX - FRONT ELEVATION**  
SCALE 1 : 2

175  
(co-ordinate this distance with lock supplier before manufacture)

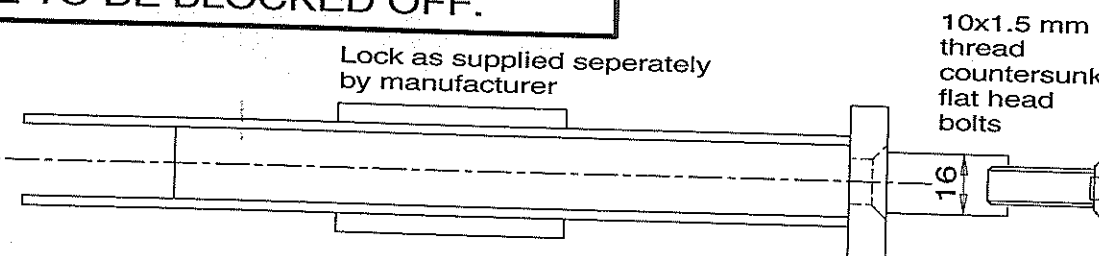


**LOCK - SIDE ELEVATION**  
SCALE 1 : 2

**NOTE:**  
THE CELL DOOR & GATE LOCK BOX TO HAVE A KEYHOLE ONLY ON THE EXERCISE YARD SIDE. CELL SIDE TO BE BLOCKED OFF.



**LOCK BOX - TOP ELEVATION**  
SCALE 1 : 2



**LOCK - TOP ELEVATION**  
SCALE 1 : 2

NO	DATE	AMENDMENT	D.P.W.

Copyright vests in the Department of Public Works

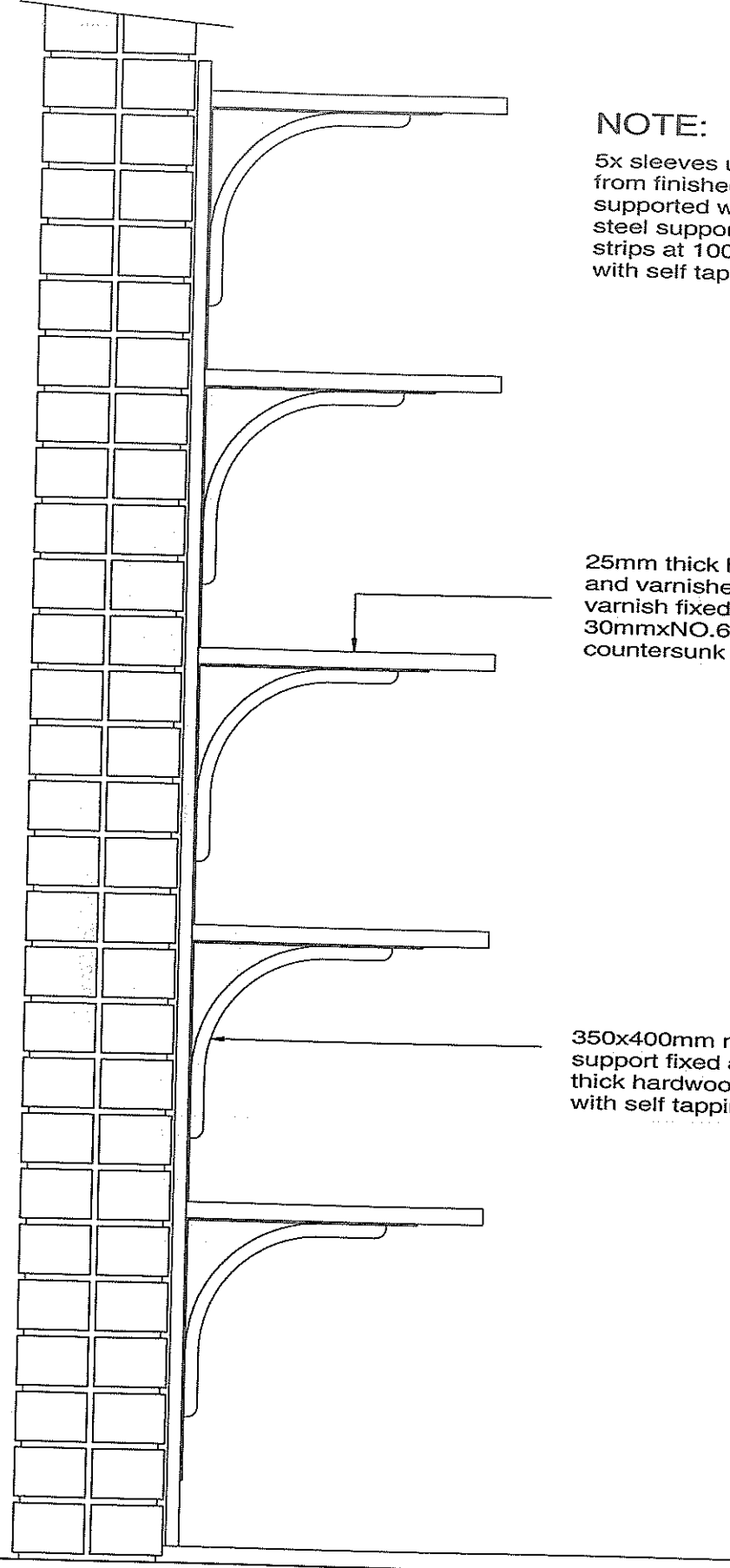
**NOTE**

References to trade names are used only to simplify detailing. Various similar and approved products are available and can be substituted with prior approval from SAPS SCM (Expert Services) Pretoria.  
 Tel (012) 845 8726  
 Fax (012) 845 8762

cad file name  
 POL2006-D5.DRW  
 CELL DOOR LOCK & LOCK BOX

DEPARTMENT OF PUBLIC WORKS  
 Private Bag X65  
 Pretoria  
 0001  
 Tel (012) 337 2000  
 Director-General:  
 T.M. Sokutu

consultant/departmental	
discipline ARCHITECTURAL	
service SOUTH AFRICAN POLICE SERVICE	
WCS number	
drawing title TYPE CELL DOOR LOCK & LOCK BOX	
ref.no	designed
scale As Shown	drawn cds
date JUNE 2006	checked
type number POL 2006/D5	
drawing number	

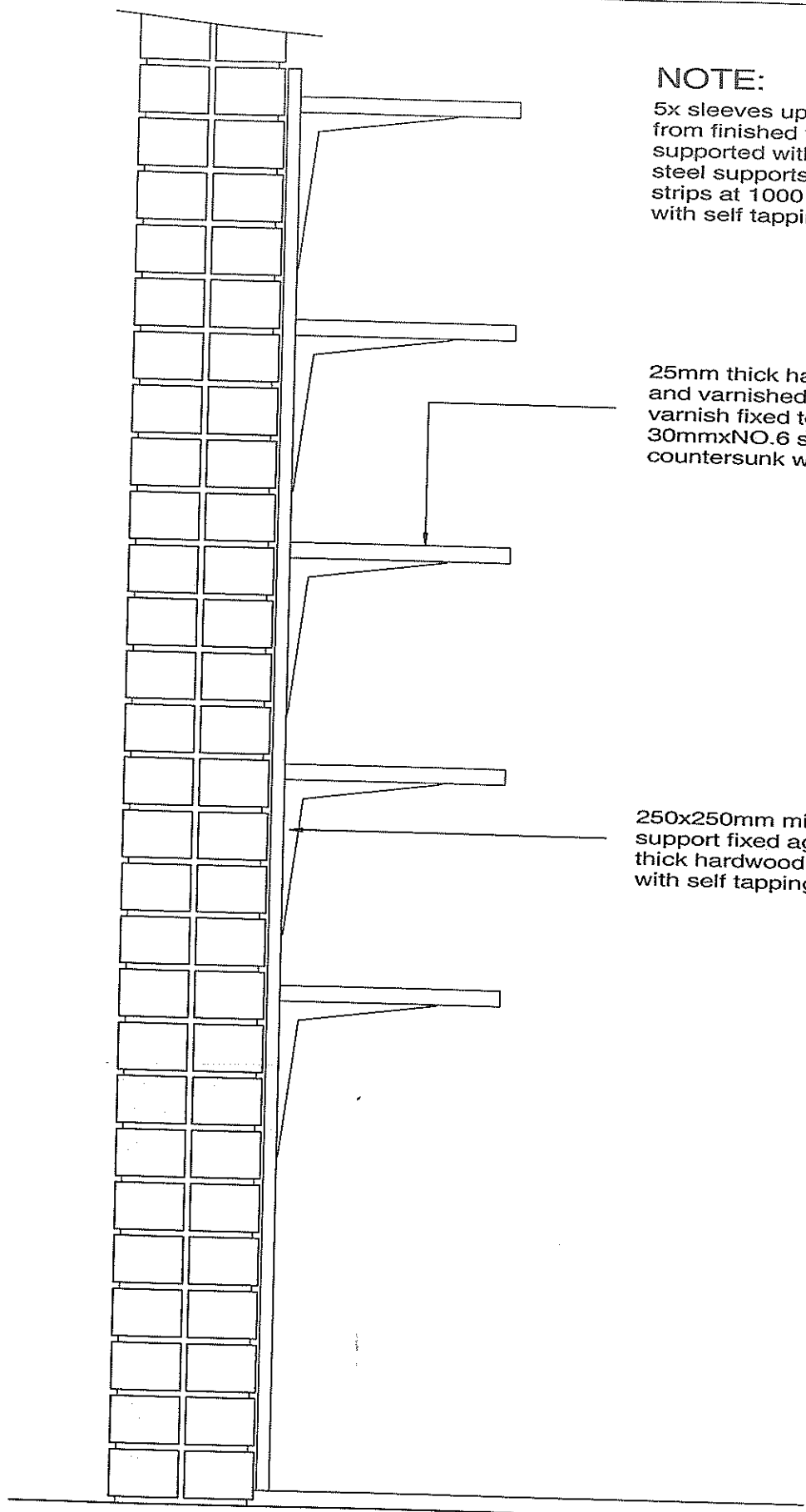


**NOTE:**  
 5x sleeves up to height of 2275 mm from finished floor level shelves to be supported with 350x400 mm mild steel supports on 50x25 mm thick strips at 1000 mm max. centres with self tapping screws

25mm thick hardwood top finished and varnished with 2x polyurathane varnish fixed to bracket with 30mmxNO.6 self-tapping countersunk woodscrews.

350x400mm mild steel shelf support fixed against 50x25mm thick hardwood wood beam with self tapping wood screws.

**± 450mm SHELVES DETAIL IN STORE ROOM (Blanket & General Stores)**  
 SCALE 1:10



**NOTE:**  
 5x sleeves up to height of 2275 mm from finished floor level shelves to be supported with 250x250 mm mild steel supports on 50x25 mm thick strips at 1000 mm max. centres with self tapping screws

25mm thick hardwood top finished and varnished with 2x polyurathane varnish fixed to bracket with 30mmxNO.6 self-tapping countersunk woodscrews.

250x250mm mild steel shelf support fixed against 50x25mm thick hardwood wood beam with self tapping wood screws.

**± 350mm SHELVES DETAIL IN STORE ROOM (Pantry & Prisoners Property Store)**  
 SCALE 1:10

NO	DATE	AMENDMENT	D.P.W.

Copyright vests in the Department of Public Works

**NOTE**  
 References to trade names are used only to simplify detailing. Various similar and approved products are available and can be substituted with prior approval from SAPS SCM (Expert Services) Pretoria. Tel (012) 845 8726 Fax (012) 845 8762

cad file name  
 POL2006-F1.DRW  
 CELL BLOCK  
 SHELVING SECTION

DEPARTMENT OF PUBLIC WORKS  
 Private Bag X65  
 Pretoria  
 0001  
 Tel (012) 337 2000  
 Director-General:  
 T.M. Sokutu


consultant/departmental

---

discipline  
**ARCHITECTURAL**

---

service  
**SOUTH AFRICAN POLICE SERVICE**




---

WCS number

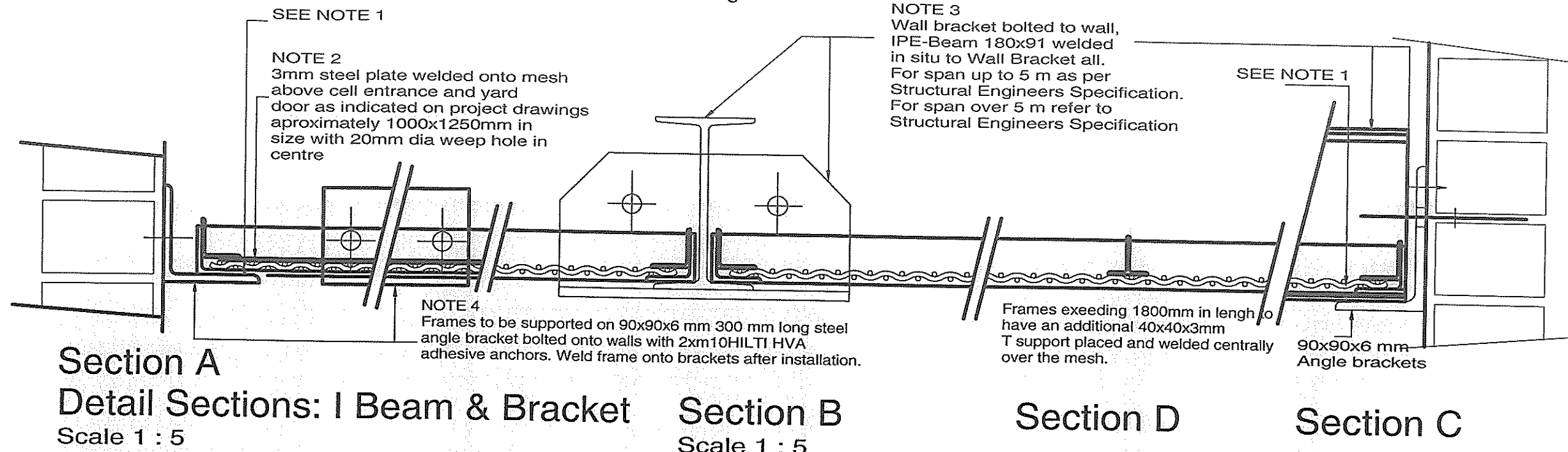
---

drawing title  
**TYPE CELL BLOCK SHELVING SECTION**

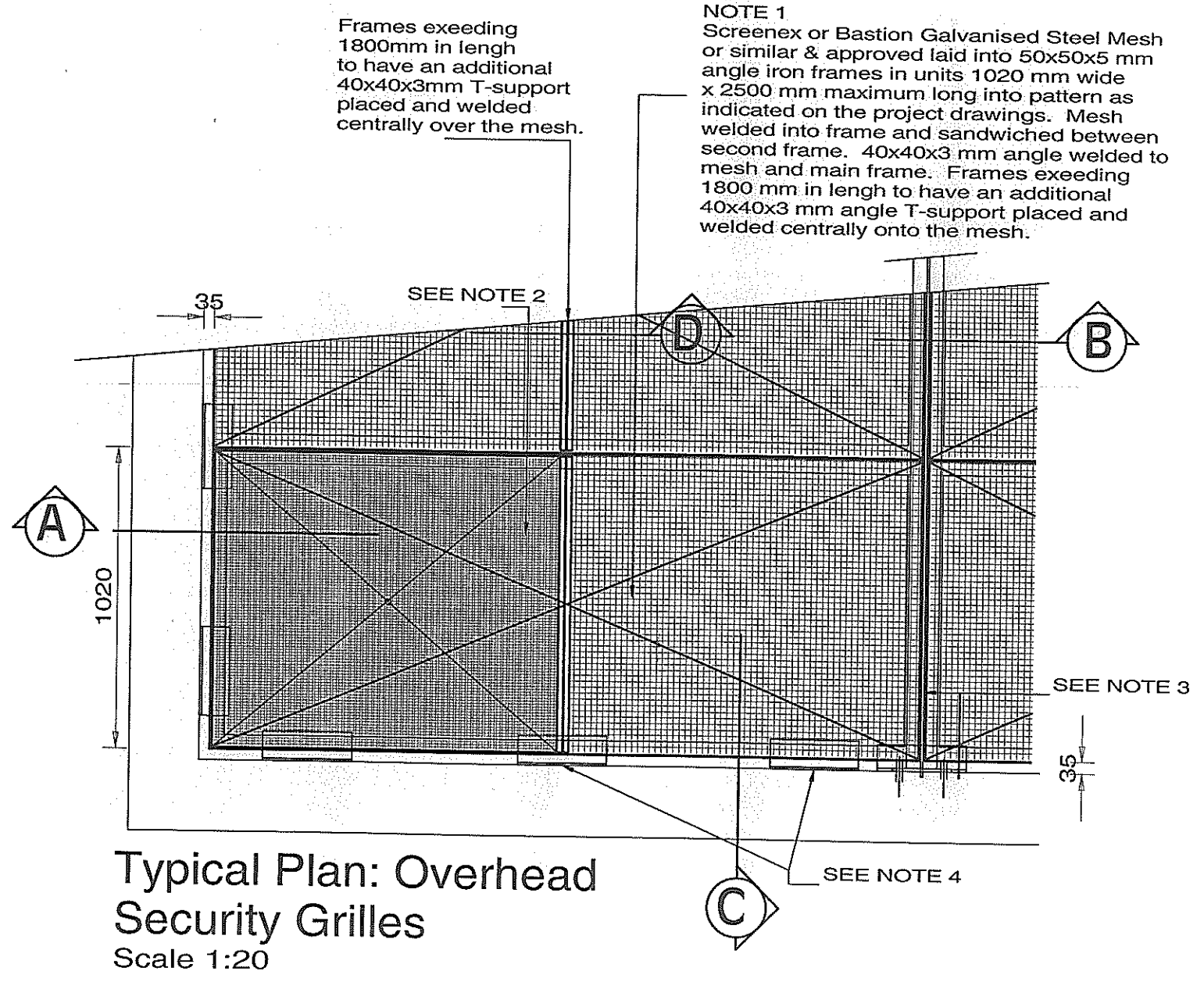
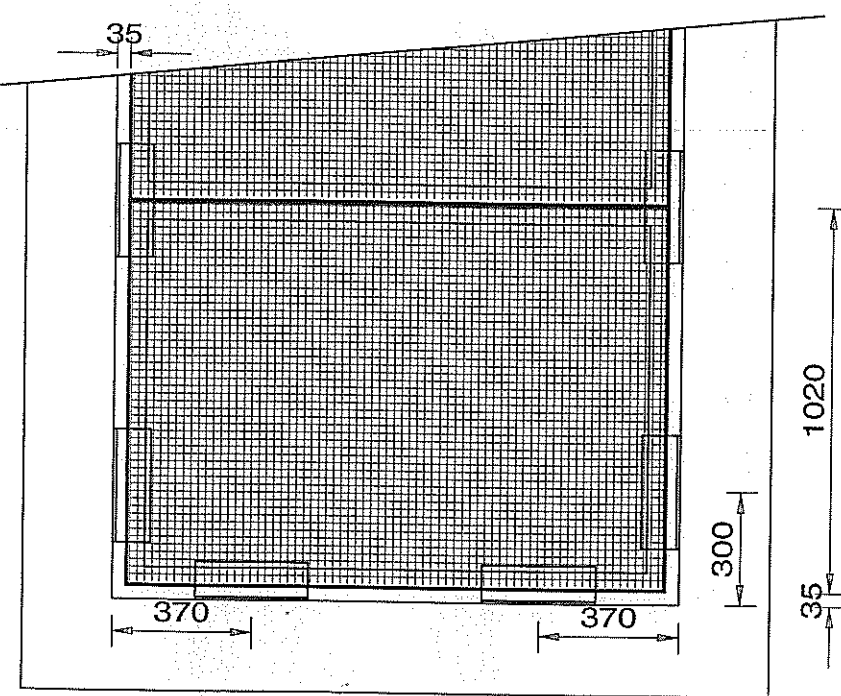
---

ref.no	designed
scale As Shown	drawn cds
date JUNE 2006	checked
type number POL 2006/F1	
drawing number	

NOTE: Measure abuilding sizes and squareness on site before manufacturing



**NOTE:**  
All work according to Departmental Specification PW 371  
**All steel to be Galvanised**  
All steel work to be hot dipped galvanised, all in accordance with SABS Specification 763.  
- see PW 371 Section 13 Clause 13.1 to 13.3



NO	DATE	AMENDMENT	D.P.W.

Copyright vests in the Department of Public Works

**NOTE**  
References to trade names are used only to simplify detailing. Various similar and approved products are available and can be substituted with prior approval from SAPS SCM (Expert Services) Pretoria. Tel (012) 845 8726 Fax (012) 845 8762

cad file name  
POL2006-G1.DRW  
OVERHEAD GRILLES

DEPARTMENT OF PUBLIC WORKS  
Private Bag X65  
Pretoria  
0001  
Tel (012) 337 2000  
Director-General:  
T.M. Sokutu

consultant/departmental

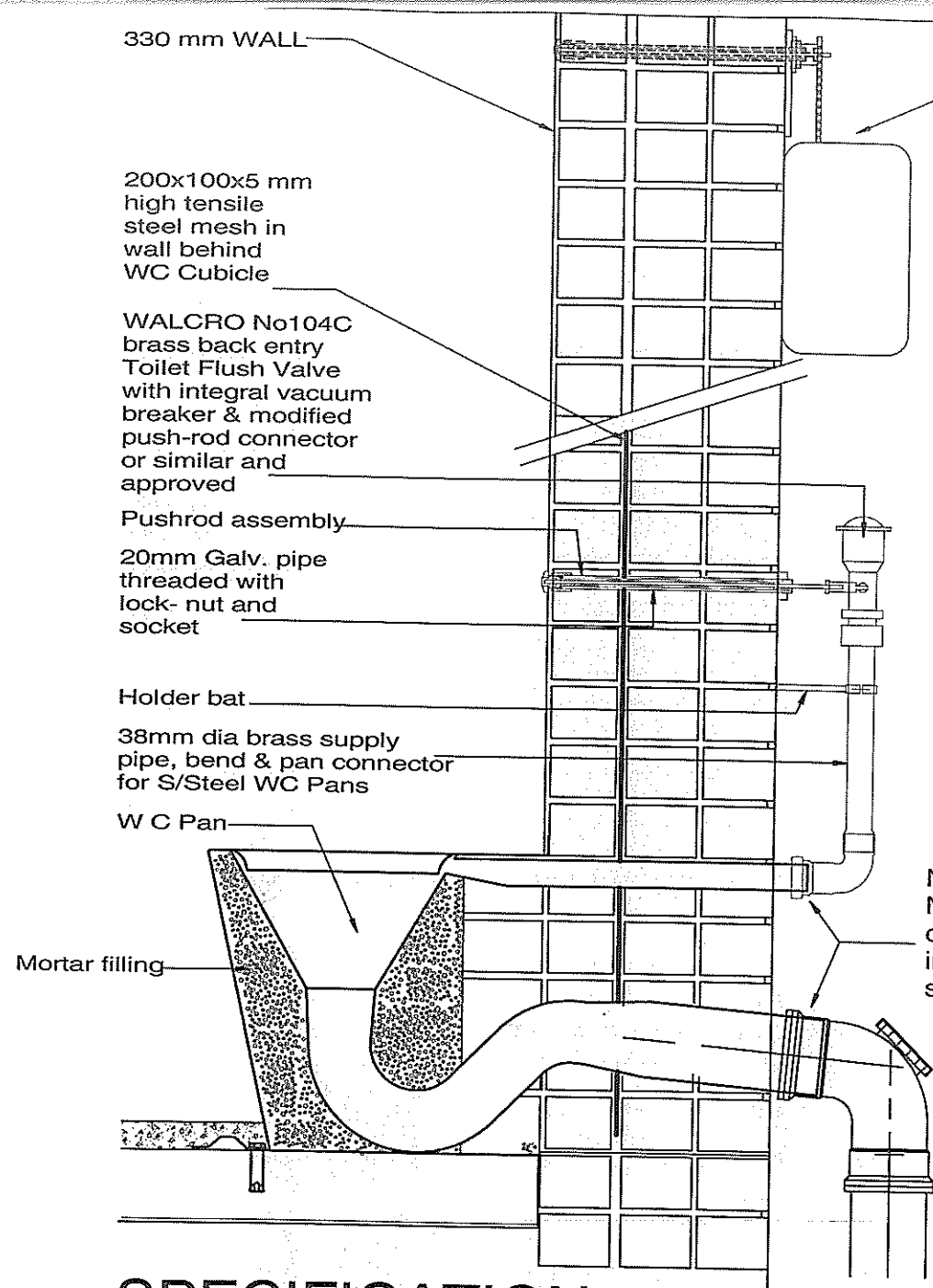
discipline  
ARCHITECTURAL

service  
SOUTH AFRICAN POLICE SERVICE

WCS number

drawing title  
**TYPE CELL OVERHEAD GRILLES**

ref.no \_\_\_\_\_ designed \_\_\_\_\_  
scale As Shown drawn cds  
date JUNE 2006 checked \_\_\_\_\_  
type number POL 2006/G1  
drawing number \_\_\_\_\_



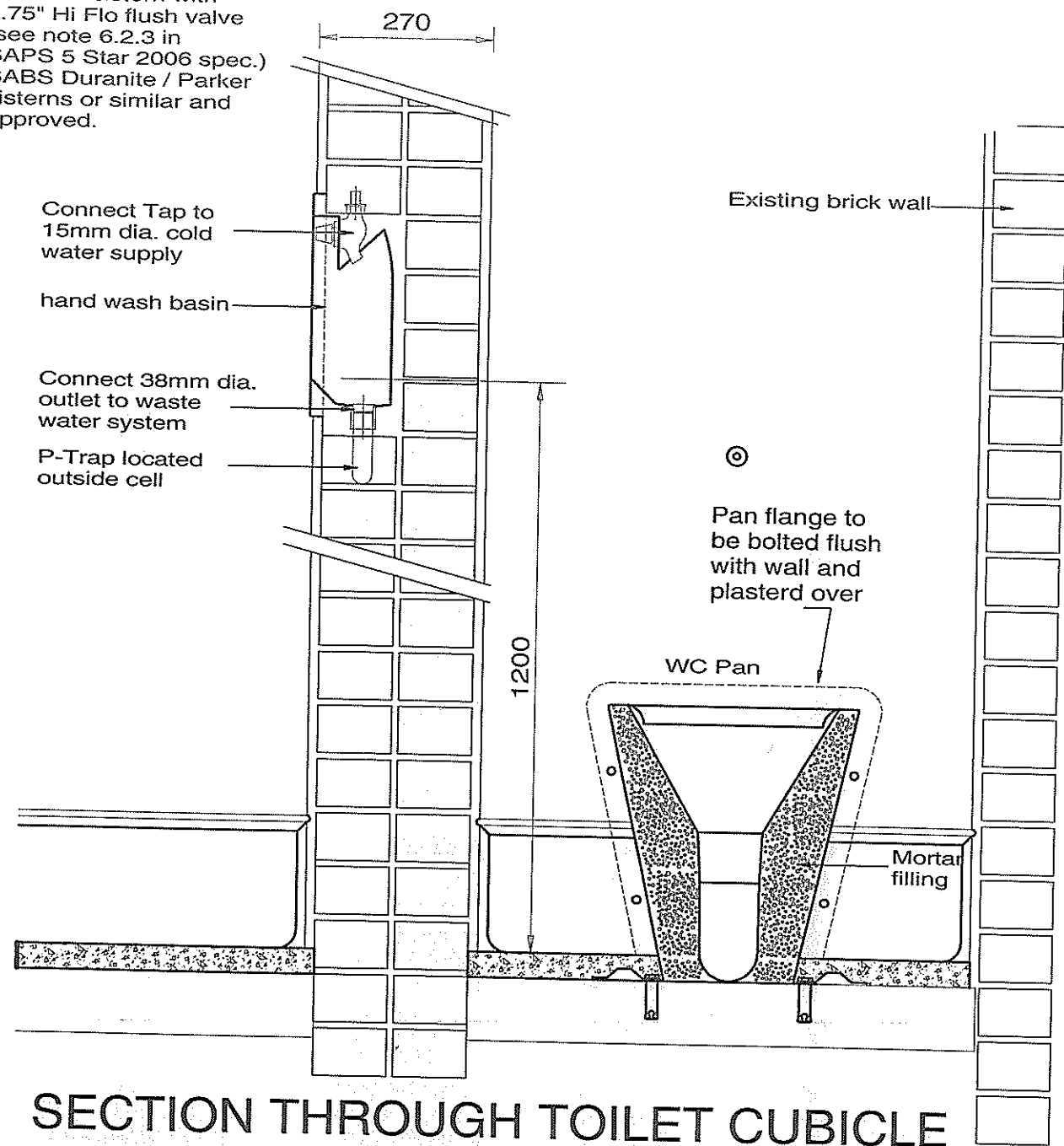
## SPECIFICATION

OVE Model OSPA1 or similar and approved vandal proof WC pan manufactured from 1.2mm grade 304 aisi(18/10) stainless steel, fully welded and polished to a no.4 satin finish, L=485mm, W=390mm, H=435mm with circular flushing rim & bowl, full flow P-trap, 38mm dia supply flush pipe: both with sufficient length to protrude through the wall. (All connections to be outside). Integral 35mm wide fixing flange to bottom sides & top, 7 times bolted to wall & floor complete with expanded metal mesh for mechanical bond for plaster/screed to the pan flange. Required pipe lengths to be determined on site.

WALCRO No104C or similar and approved brass back entry non hold open Toilet Flush Valve with integral vacuum breaker & modified push-rod connector, complete with 38mm flushpipe, bend & pan connector. Prison type brass finished ECONOFLUSH as type KF3.404 is an approved alternative including elbow, Straight pipe and pan connector

## WC PAN DETAIL SECTION SCALE 1 : 10

Alternately in areas with a high lime content use low level cistern with 1.75" Hi Flo flush valve (see note 6.2.3 in SABS 5 Star 2006 spec.) SABS Duranite / Parker cisterns or similar and approved.



## SECTION THROUGH TOILET CUBICLE WITH WASH HAND BASIN DETAIL (Drinking Fountain) SCALE 1 : 10

NO	DATE	AMENDMENT	D.P.W.

Copyright vests in the  
Department of Public Works

### NOTE

References to trade names are used only to simplify detailing. Various similar and approved products are available and can be substituted with prior approval from SABS SCM (Expert Services) Pretoria. Tel (012) 845 8726 Fax (012) 845 8762

cad file name  
POL2006-S1.DRW  
WC PAN DETAIL SECTION  
& ELEVATION



consultant/departmental

discipline  
ARCHITECTURAL  
service

SOUTH AFRICAN  
POLICE SERVICE



WCS number

drawing title

TYPE CELL WC PAN  
DETAIL SECTION  
& ELEVATION

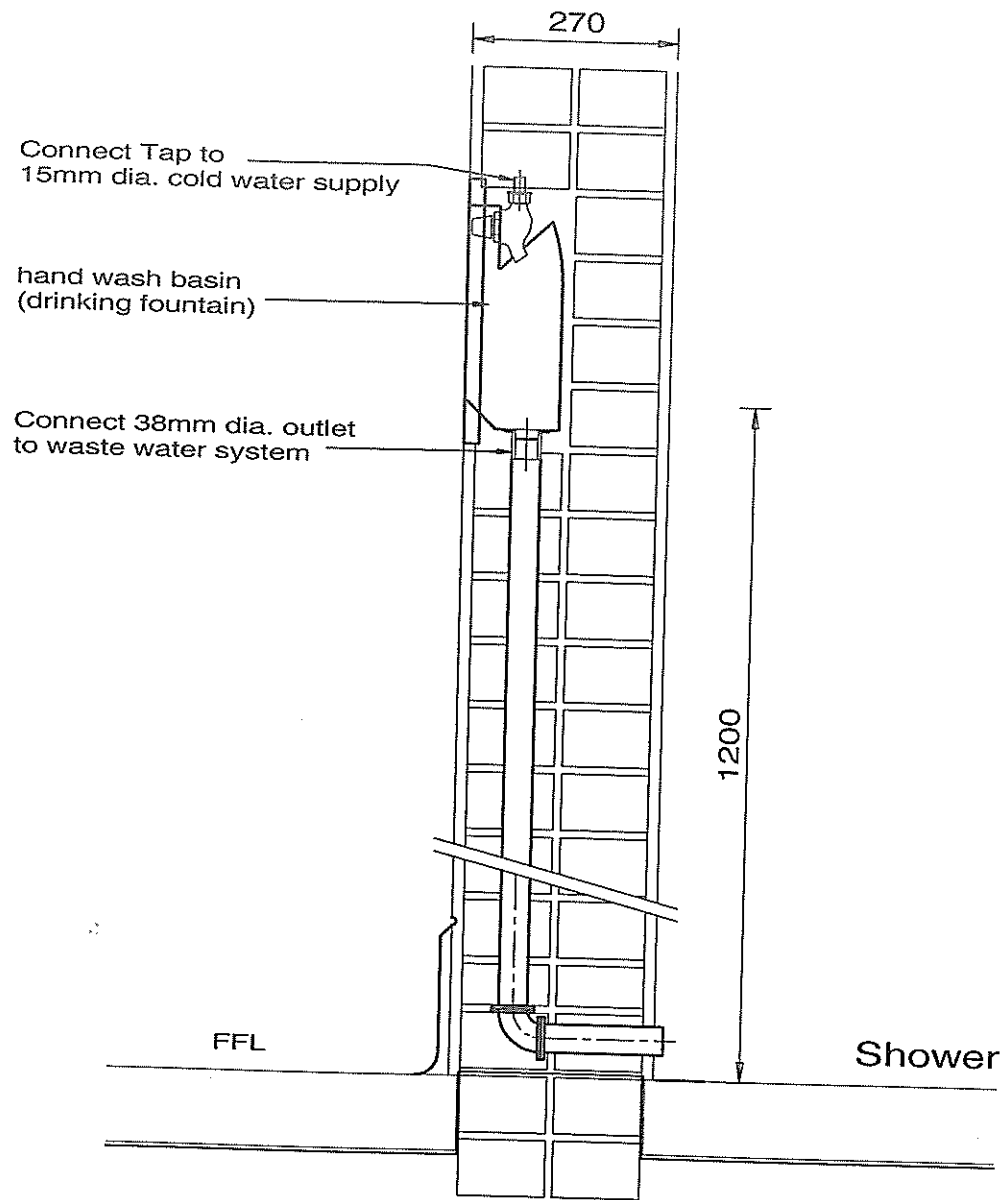
ref.no designed

scale As Shown drawn cds

date JUNE 2006 checked

type number POL 2006/S1

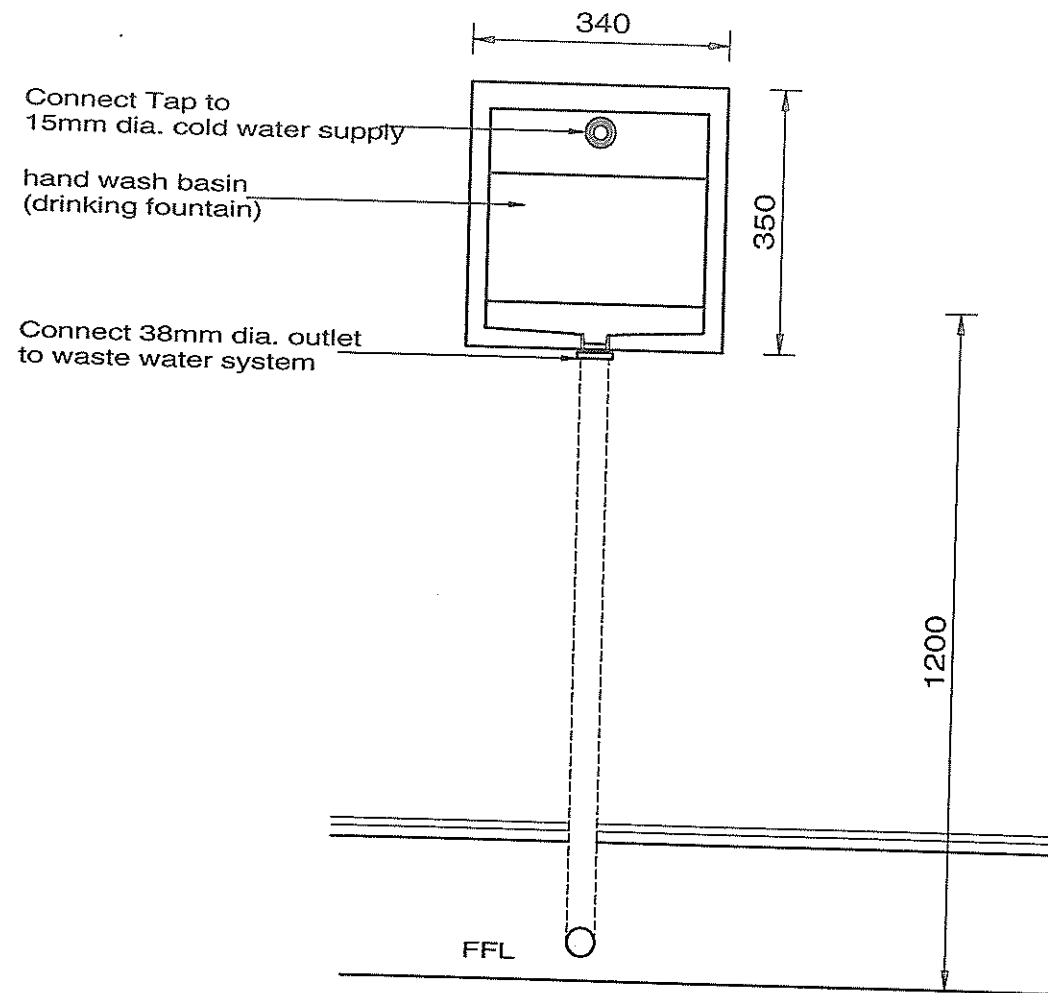
drawing number



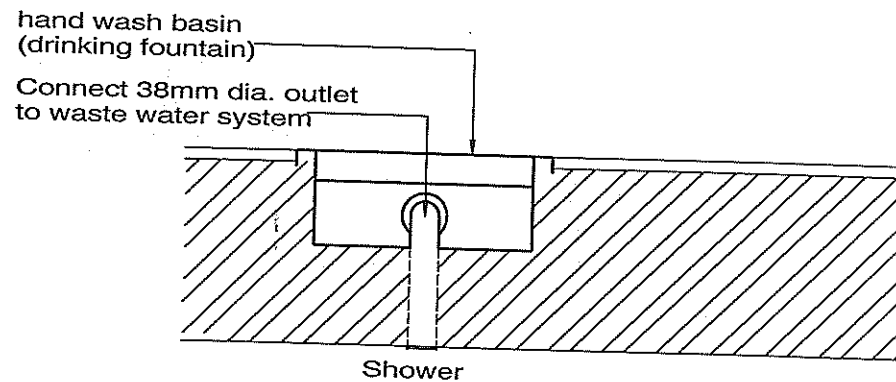
**HAND WASH BASIN DETAIL  
(Drinking Fountain)  
SECTION  
SCALE 1 : 10**

**SPECIFICATION**

OVE Model OSB1A/125 or similar and approved vandal proof hand wash basin manufactured from 102 mm Grade 304 AISI (18/10) stainless steel; fully welded and polished to a no. 4 satin finish; size 340x350x125 mm, including a fitted 15 mm push-button tap mounted at top with 38 mm CP brass waste outlet, built flush into brick wall and secured with steel lugs.



**HAND WASH BASIN DETAIL  
(Drinking Fountain)  
ELEVATION  
SCALE 1 : 10**



**HAND WASH BASIN DETAIL  
(Drinking Fountain)  
PLAN  
SCALE 1 : 10**

NO.	DATE	AMENDMENT	D.P.W.

Copyright vests in the  
Department of Public Works

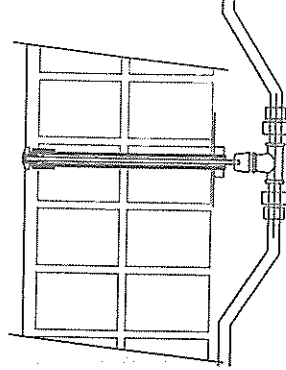
**NOTE**  
References to trade names are used only to simplify detailing. Various similar and approved products are available and can be substituted with prior approval from SAPS SCM (Expert Services) Pretoria. Tel (012) 845 8726 Fax (012) 845 8762

cad file name  
POL2006-S2.DRW  
HAND WASH BASIN  
(Drinking Fountain)

DEPARTMENT OF  
PUBLIC WORKS  
Private Bag X65  
Pretoria  
0001  
Tel (012) 337 2000  
Director-General:  
T.M. Sokutu

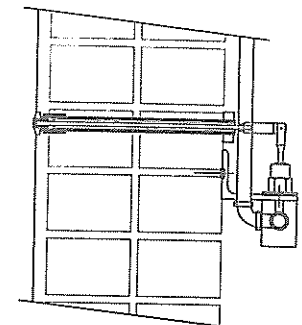
discipline  
ARCHITECTURAL  
service  
SOUTH AFRICAN  
POLICE SERVICE

WCS number  
drawing title  
TYPE CELL  
HAND WASH BASIN  
(Drinking Fountain)  
ref.no. designed  
scale As Shown drawn cds  
date JUNE 2006 checked  
type number POL 2006/S2  
drawing number



**Alternative layout for low quality water supply to existing Showers (outside of cell block only)**

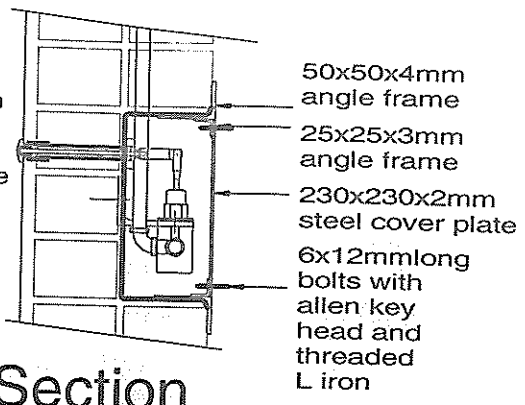
In-Line Demand non hold open type stopcock as Walcro type 111D with prison type push rod assembly or similar and approved, with unions both sides for servicing



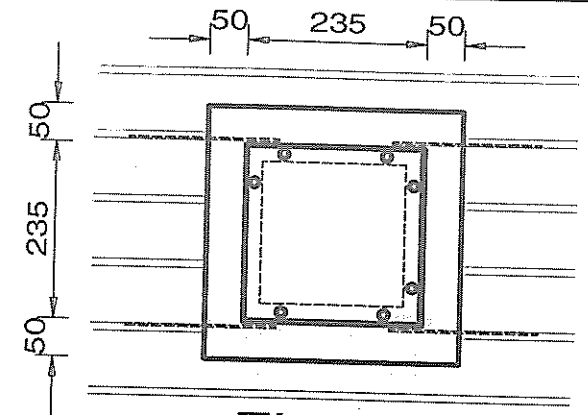
**Alternative for existing Showers with surface piping layout (outside of cell block only)**

Push-button metering non hold open valve as Walcro 150 C with prison type push rod assembly or similar and approved. Secured to wall with 100x65x7mm MS angle 100mm long and shaped around valve

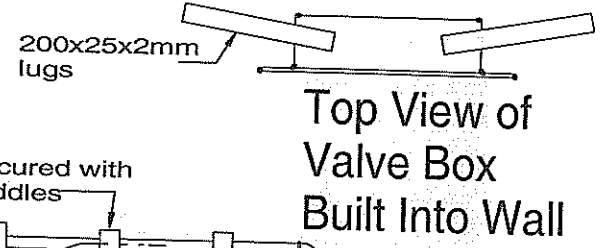
Push-button metering non hold open valve as Walcro 150 C with prison type push rod assembly or similar and approved. Secured to wall with 100x65x7mm MS angle 100mm long and shaped around valve



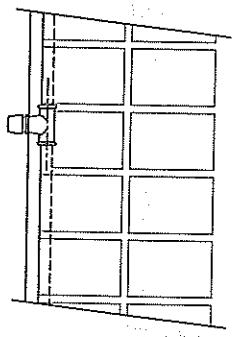
**Section Alternative for existing Showers with concealed piping layout with Service Hatch (in secure passages only)**



**Elevation**

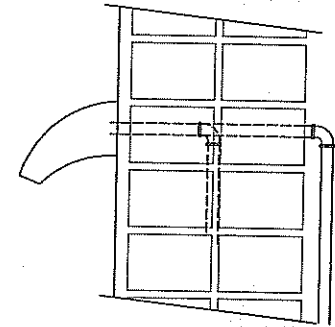


**Top View of Valve Box Built Into Wall**



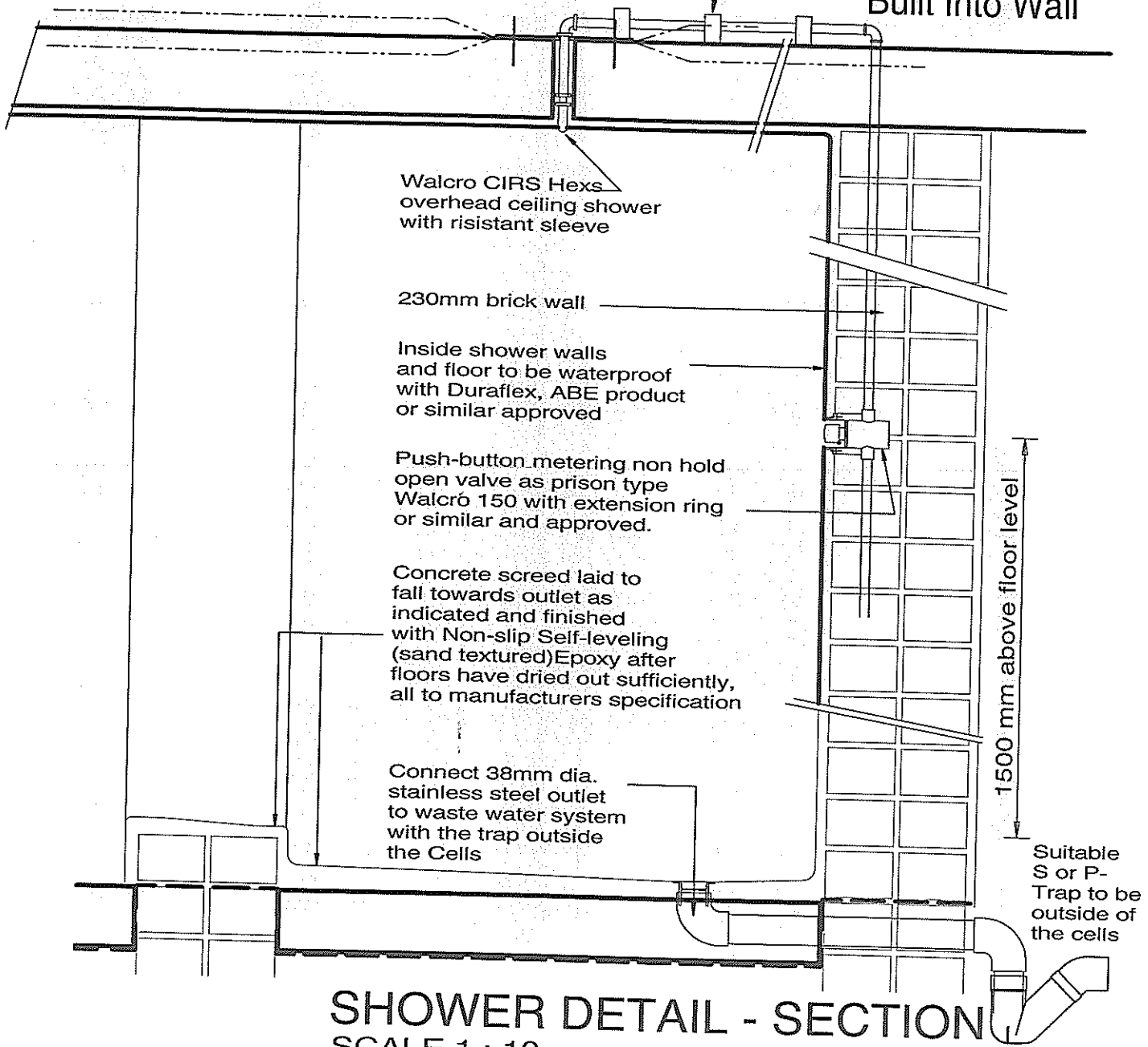
**Alternative for Shower concealed piping layout within Cells for low quality water supply**

In-Line Demand non hold open type stopcock as Walcro type 111D or similar and approved.



**Alternative for Shower Rose in existing Cell Blocks**

Vandalmaster Shower rose KP2.6 or similar and approved min 2400mm above FFL



**SHOWER DETAIL - SECTION SCALE 1 : 10**

NO	DATE	AMENDMENT	D.P.W.

Copyright vests in the Department of Public Works

**NOTE**  
References to trade names are used only to simplify detailing. Various similar and approved products are available and can be substituted with prior approval from SAPS SCM (Expert Services) Pretoria. Tel (012) 845 8726 Fax (012) 845 8762

cad file name  
POL2006-S3.DRW  
CELL SHOWER DETAILS & SECTION

DEPARTMENT OF PUBLIC WORKS  
Private Bag X65  
Pretoria  
0001  
Tel (012) 337 2000  
Director-General:  
T.M. Sokutu

consultant/departmental

discipline  
ARCHITECTURAL

service  
SOUTH AFRICAN POLICE SERVICE

WCS number

drawing title  
TYPE CELL SHOWER DETAILS & SECTION

ref.no. designed

scale As Shown drawn cds

date JUNE 2006 checked

type number POL 2006/S3

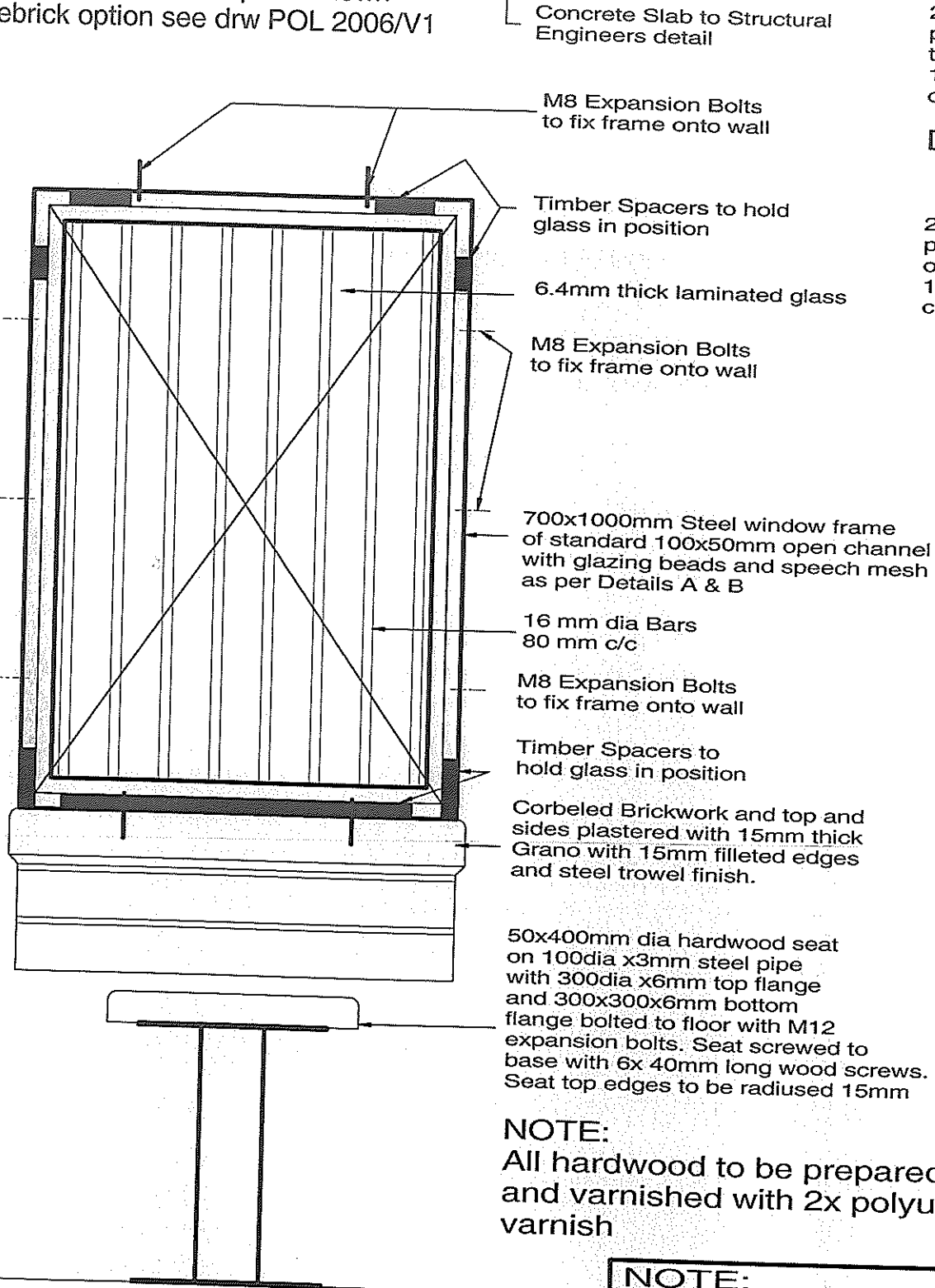
drawing number

**NOTE: WATER SUPPLY TO SHOWERS**  
Where the quality, pressure and sustained supply of the water at a given project is suspect, refer to Guidelines set out in the SPEC 2006

1. Use high pressure geysers throughout. (300 kpa)
2. Low quality water supply with low pressure:  
Supply only hot water to the showers with the thermostat of the geyser set to an appropriate temperature.  
Use push button in-line demand type stopcock as Walcro type 111D with prison type push rod assembly or similar and approved.
3. Good quality water supply and sufficient pressure:  
Use thermostatic mixing valves as Mastertherm ii or similar and approved to set the water temperature.  
Use push button metering valve as Walco 150 Prison type or similar and approved.

The type of suitable fittings and the capacities of the valve to be determined in conjunction with the Head of Department: Plumbing, SAPS Building Services (012) 841 7517.

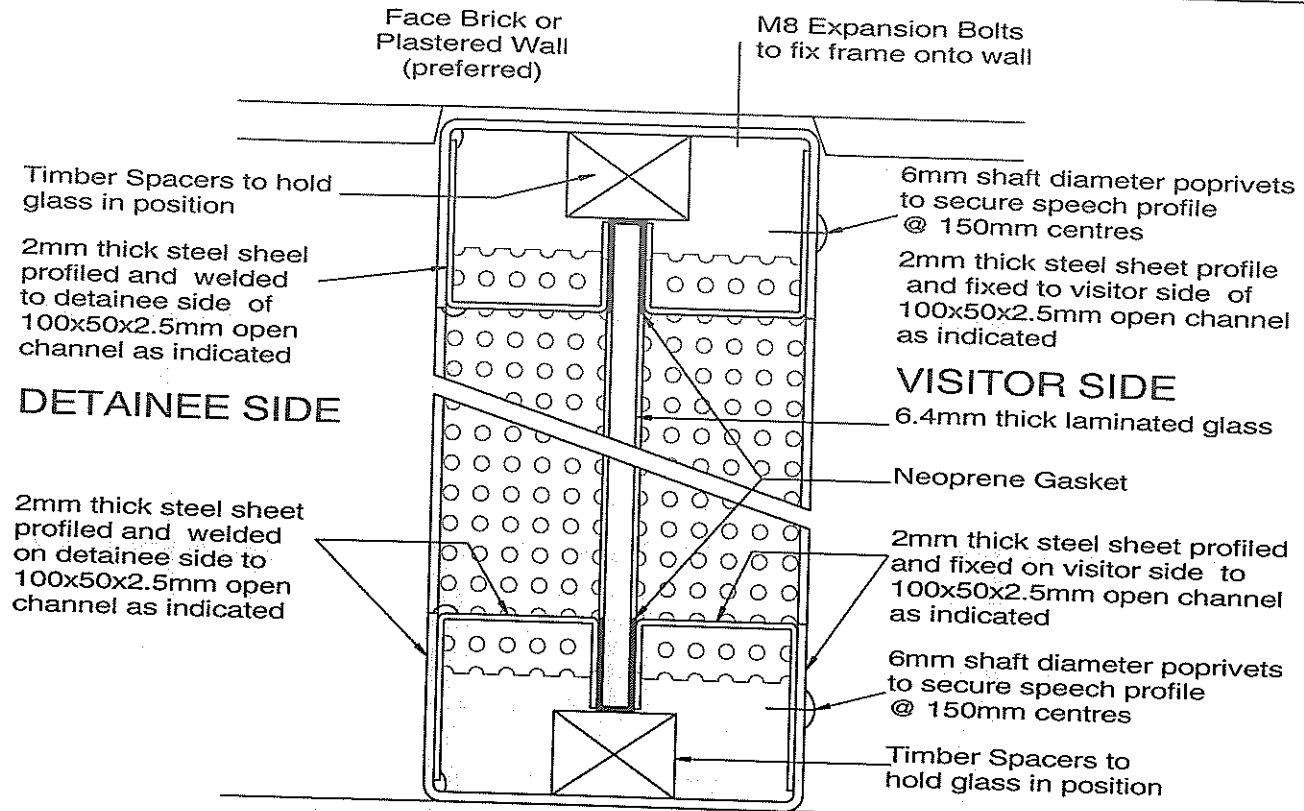
NOTE: Plastered wall option shown  
Facebrick option see drw POL 2006/V1



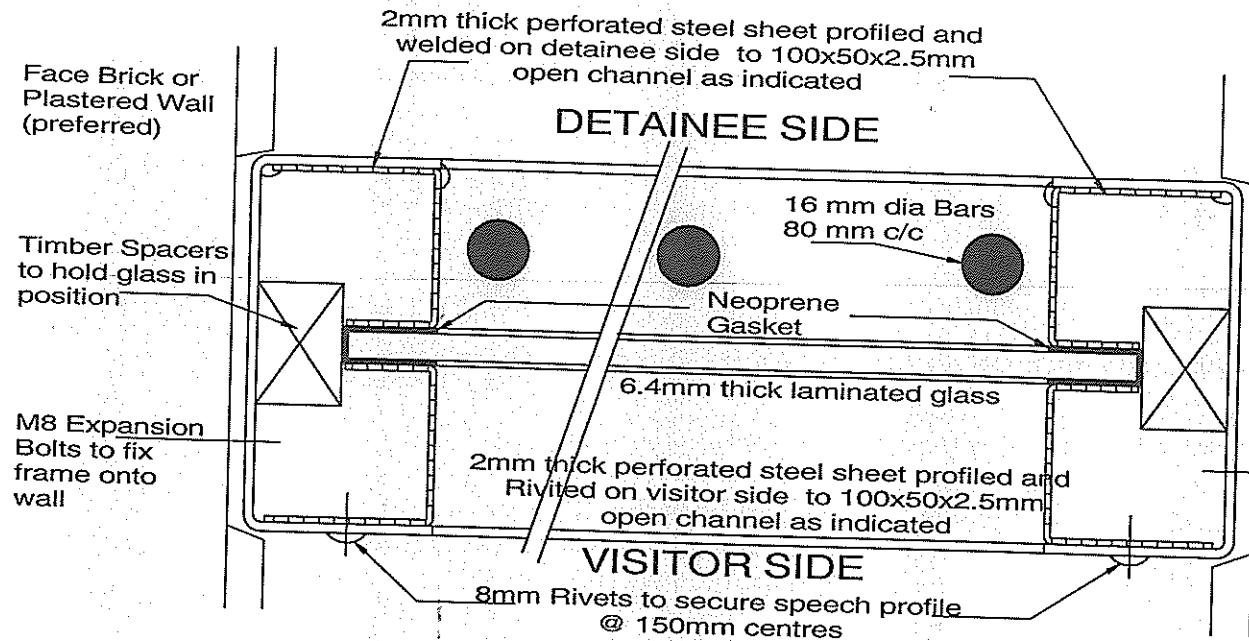
NOTE:  
All hardwood to be prepared and varnished with 2x polyurethane varnish

ELEVATION: VISITORS COUNTER  
SCALE 1:10

NOTE:  
All work according to Departmental Specification PW 371  
All steel to be Galvanised  
All steel work to be hot dipped galvanised, all in accordance with SABS Specification 763.  
- see PW 371 Section 13 Clause 13.1 to 13.3



Top & Bottom Detail B through Frame  
SCALE 1:2



Side Detail A through Speech Frame  
SCALE 1:2



Speech Screen Aperture Detail  
SCALE 1:2

NO	DATE	AMENDMENT	D.P.W.

Copyright vests in the Department of Public Works

NOTE  
References to trade names are used only to simplify detailing. Various similar and approved products are available and can be substituted with prior approval from SAPS SCM (Expert Services) Pretoria. Tel (012) 845 8726 Fax (012) 845 8762

cad file name  
POL2006-V3.DRW  
VISITORS COUNTER  
ELEVATION & DETAILS

DEPARTMENT OF PUBLIC WORKS  
Private Bag X65  
Pretoria  
0001  
Tel (012) 337 2000  
Director-General:  
T.M. Sokutu

consultant/departmental

discipline  
ARCHITECTURAL

service  
SOUTH AFRICAN POLICE SERVICE

WCS number

drawing title  
TYPE CELL VISITORS  
ELEVATION & DETAILS  
OF  
ALUMINIUM FRAME

ref.no. designed

scale As Shown drawn cds

date JUNE 2006 checked

type number POL 2006/V3

drawing number

NO	DATE	AMENDMENT	D.P.W.

Copyright vests in the  
Department of Public Works

**NOTE**

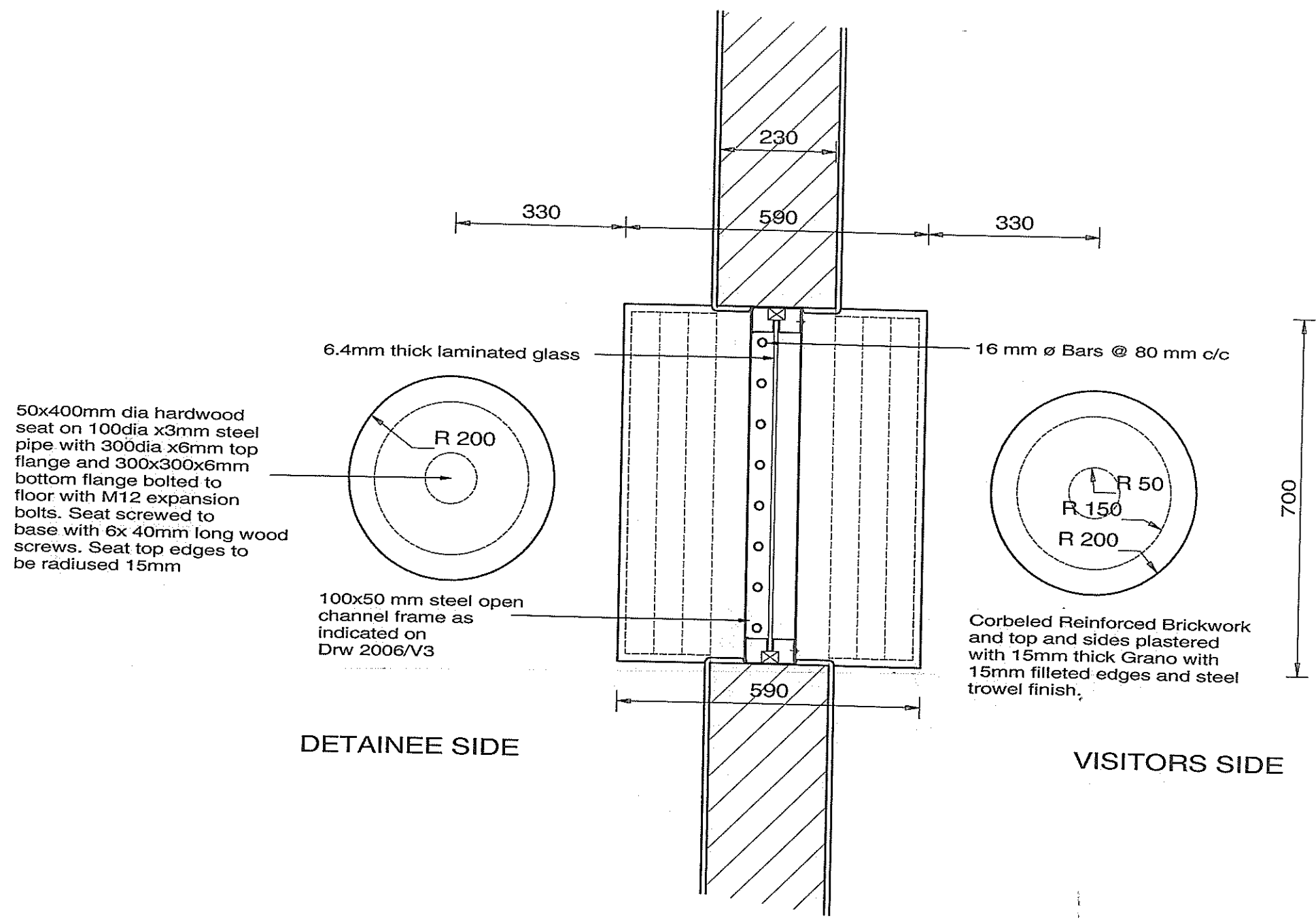
References to trade names are used only to simplify detailing. Various similar and approved products are available and can be substituted with prior approval from SAPS SCM (Expert Services) Pretoria. Tel (012) 845 8726 Fax (012) 845 8762

cad file name  
POL2006-V2.DRW  
VISITORS COUNTER  
PLAN

DEPARTMENT OF PUBLIC WORKS  
Private Bag X65  
Pretoria  
0001  
Tel (012) 337 2000  
Director-General:  
T.M. Sokutu

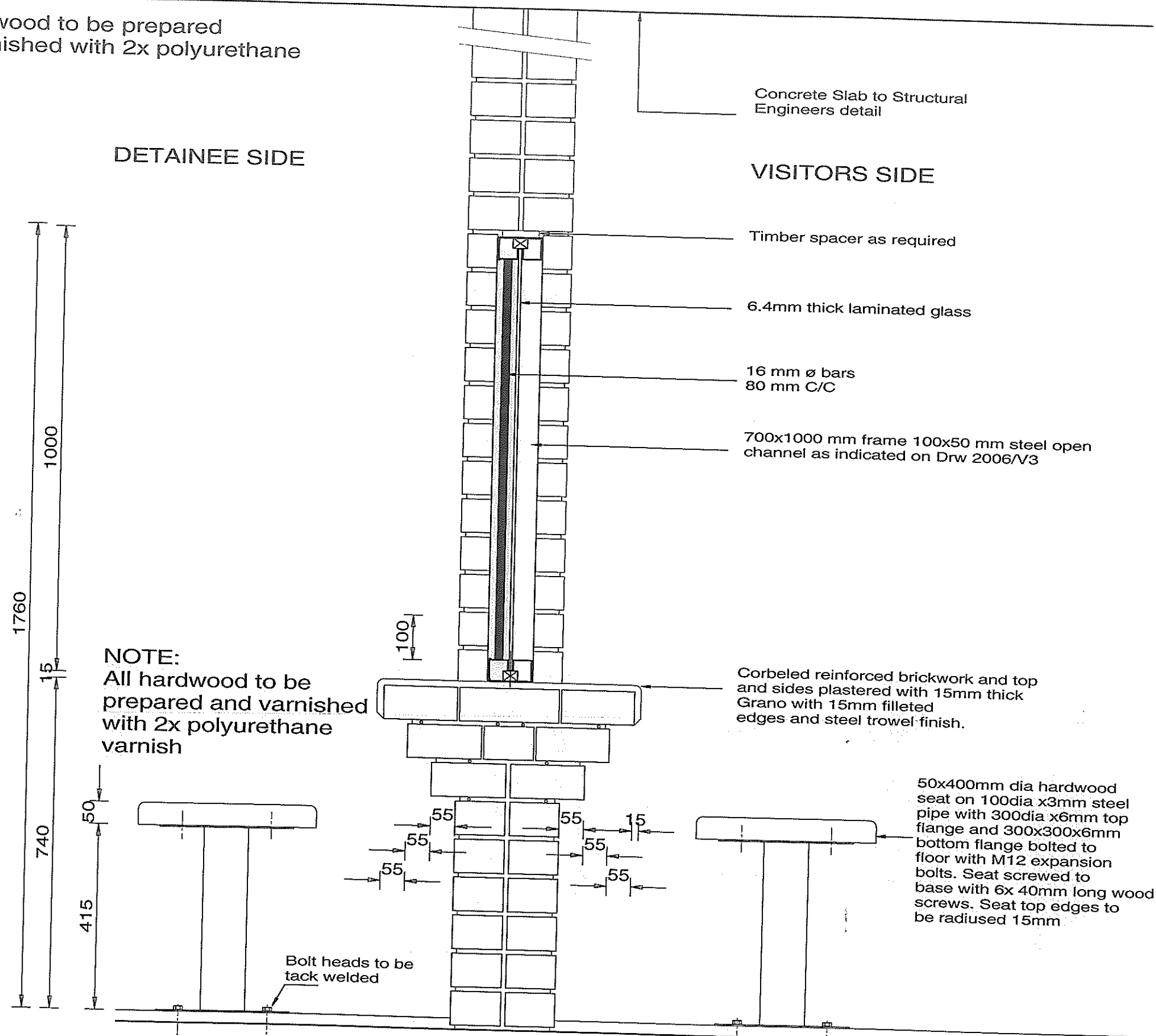
consultant/departmental  
discipline  
ARCHITECTURAL  
service  
SOUTH AFRICAN POLICE SERVICE

WCS number  
drawing title  
**TYPE CELL COUNTER FOR VISITORS - PLAN**  
ref.no                      designed  
scale    As Shown        drawn    cds  
date    JUNE 2006        checked  
type number              POL 2006/V2  
drawing number



**PLAN OF VISITORS COUNTER**  
SCALE 1:10

NOTE:  
All hardwood to be prepared and varnished with 2x polyurethane varnish



SECTION THROUGH VISITORS COUNTER  
SCALE 1:10

NO	DATE	AMENDMENT	D.P.W.

Copyright vests in the Department of Public Works

**NOTE**  
References to trade names are used only to simplify detailing. Various similar and approved products are available and can be substituted with prior approval from SAPS SCM (Expert Services) Pretoria.  
Tel (012) 845 8726  
Fax (012) 845 8762

cad file name  
POL2006-V1.DRW  
VISITORS COUNTER SECTION

DEPARTMENT OF PUBLIC WORKS  
Private Bag X65  
Pretoria  
0001  
Tel (012) 337 2000  
Director-General:  
T.M. Sokutu

consultant/departmental

discipline  
ARCHITECTURAL

service  
SOUTH AFRICAN POLICE SERVICE

WCS number

drawing title  
TYPE CELL VISITORS COUNTER SECTION

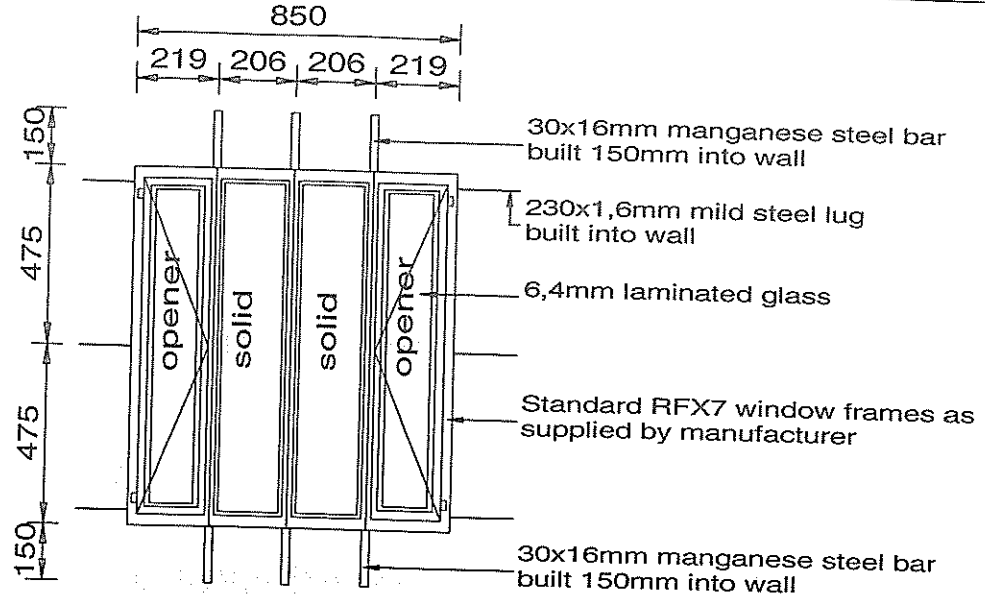
ref.no  
designed

scale  
As Shown drawn cds

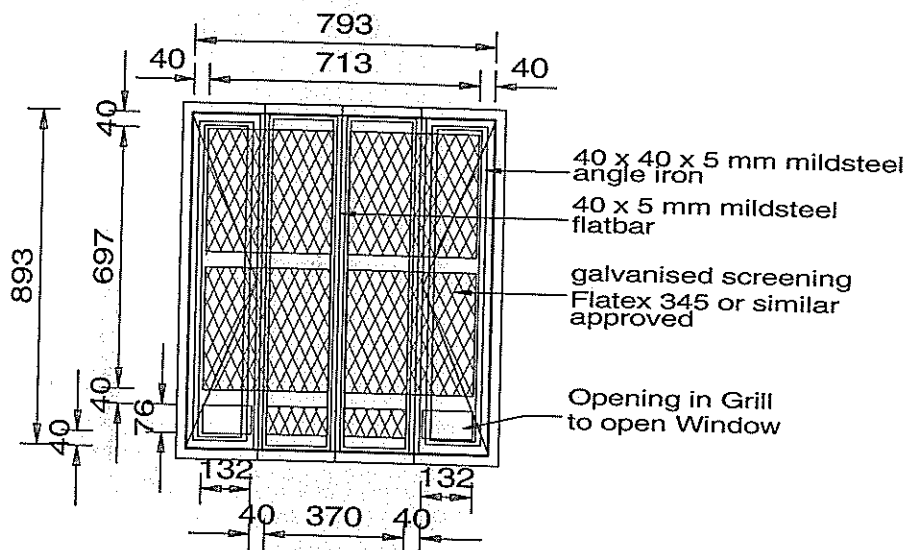
date  
JUNE 2006 checked

type number  
POL 2006/V1

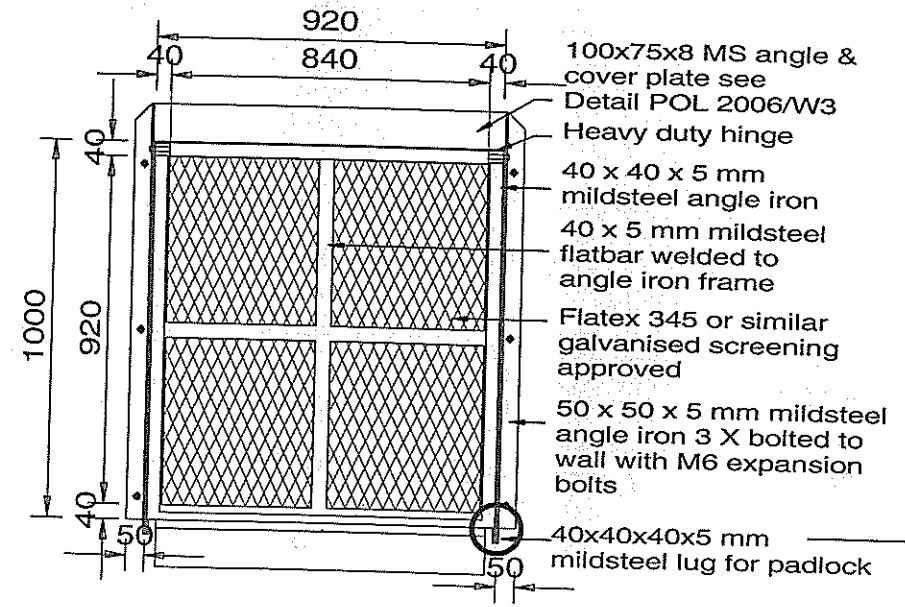
drawing number



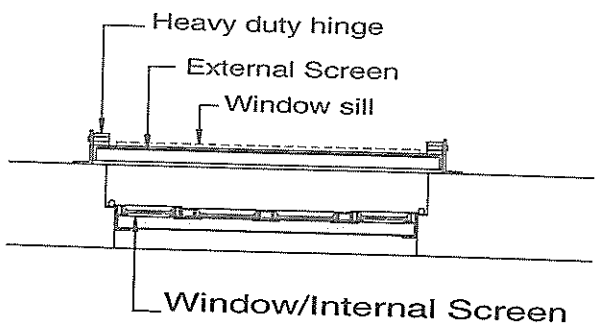
**FRONT ELEVATION**  
SCALE 1 : 20



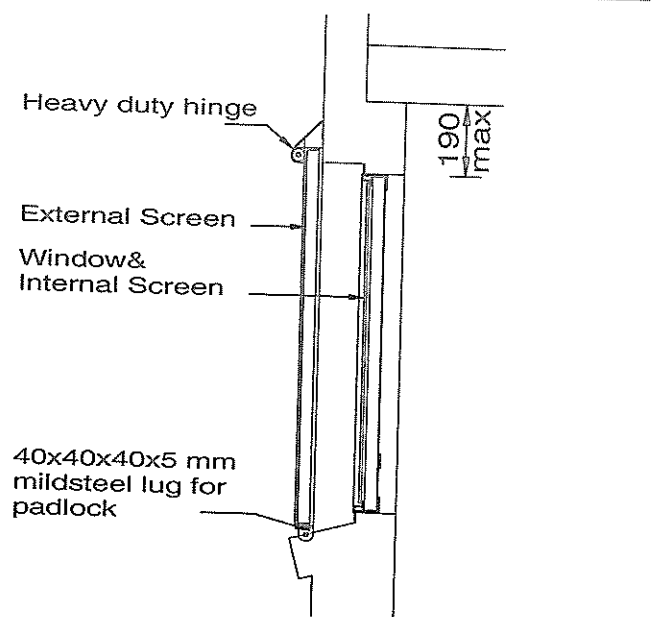
**INTERNAL FIXED SCREEN**  
SCALE 1 : 20



**EXTERNAL HINGED SCREEN**  
SCALE 1 : 20



**PLAN 220mm WALL**  
SCALE 1 : 20



**SECTION (External Windows)**  
SCALE 1 : 20

**NOTE**  
INTERNAL FIXED SCREEN TO BE WELDED TO INSIDE OF WINDOW

**WINDOW FRAME**  
Purpose made Window to Specification, Size & Details as Standard Drawing No POL 2006/W2 & W3

**GLASS**  
6.4 mm Laminated Safety Glass

**FURNITURE**  
Purpose made Handle & Hinges to Specification, Size & Details as per Standard Drawing No POL 2006/W2

**PUTTY**  
Putty to be primed and painted with Enamel paint Colour to match either galvanising or painted frames - see PW 371

**INTERIOR SCREEN**  
Purpose made Fixed Screen to Specification, Size & Details as Standard Drawing No POL 2006/W2 and POL 2006/W3

**EXTERIOR SCREEN**  
Purpose made Screen to Specification, Size & Details as Standard Drawing No POL 2006/W2 and POL 2006/W3

**FURNITURE**  
2x Cylinder Padlocks (Solid 630 or similar & approved). One key to pass all padlocks per project (Triplicate keys)

**NOTE**  
Cell Windows in External Walls to be maximum of 2 brick courses below Concrete Slab Top of Cell Window between Cell & Cell Yards to be at Door height.

**NOTE:**  
All work according to Departmental Specification PW 371  
All steel to be Galvanised  
All steel work to be hot dipped galvanised, all in accordance with SABS Specification 763.  
- see PW 371 Section 13 Clause 13.1 to 13.3

NO	DATE	AMENDMENT	D.P.W.

Copyright vests in the Department of Public Works

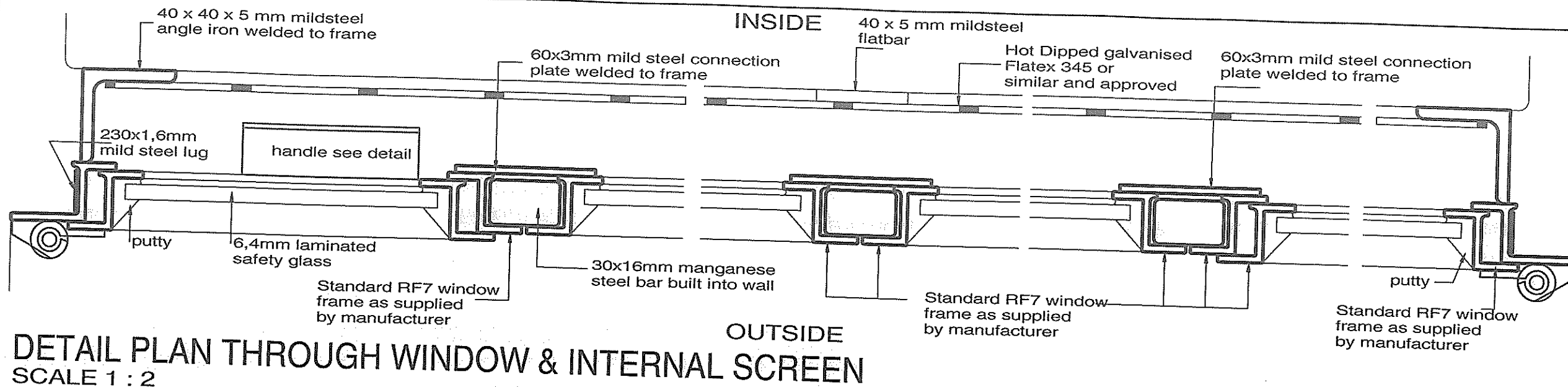
**NOTE**  
References to trade names are used only to simplify detailing. Various similar and approved products are available and can be substituted with prior approval from SAPS SCM (Expert Services) Pretoria.  
Tel (012) 845 8726  
Fax (012) 845 8762

cad file name  
POL2006-W1.DRW  
CELL WINDOW  
DETAIL PLAN & DETAILS

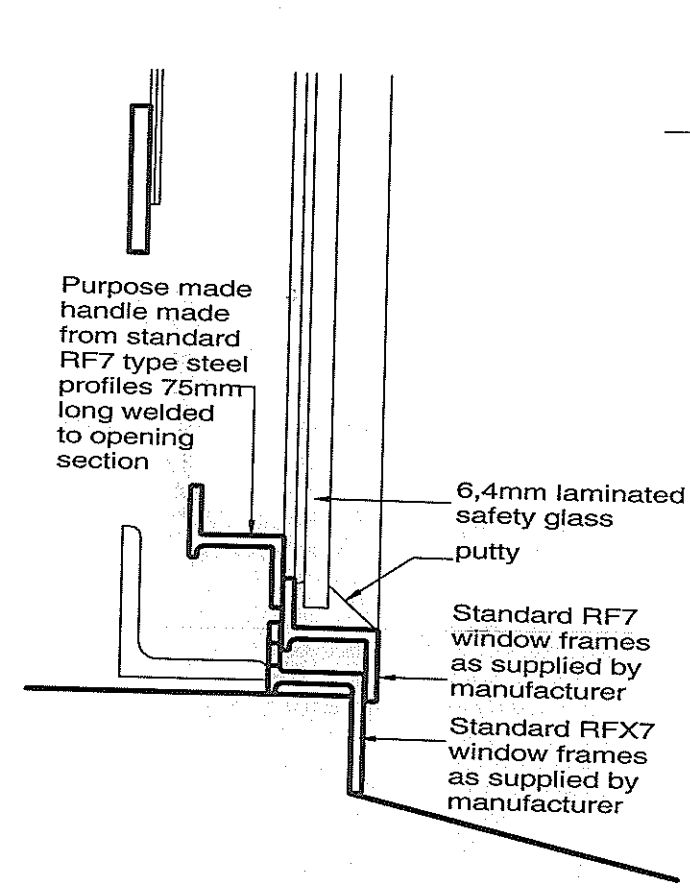
DEPARTMENT OF PUBLIC WORKS  
Private Bag X65  
Pretoria  
0001  
Tel (012) 337 2000

Director-General:  
T.M. Sokutu

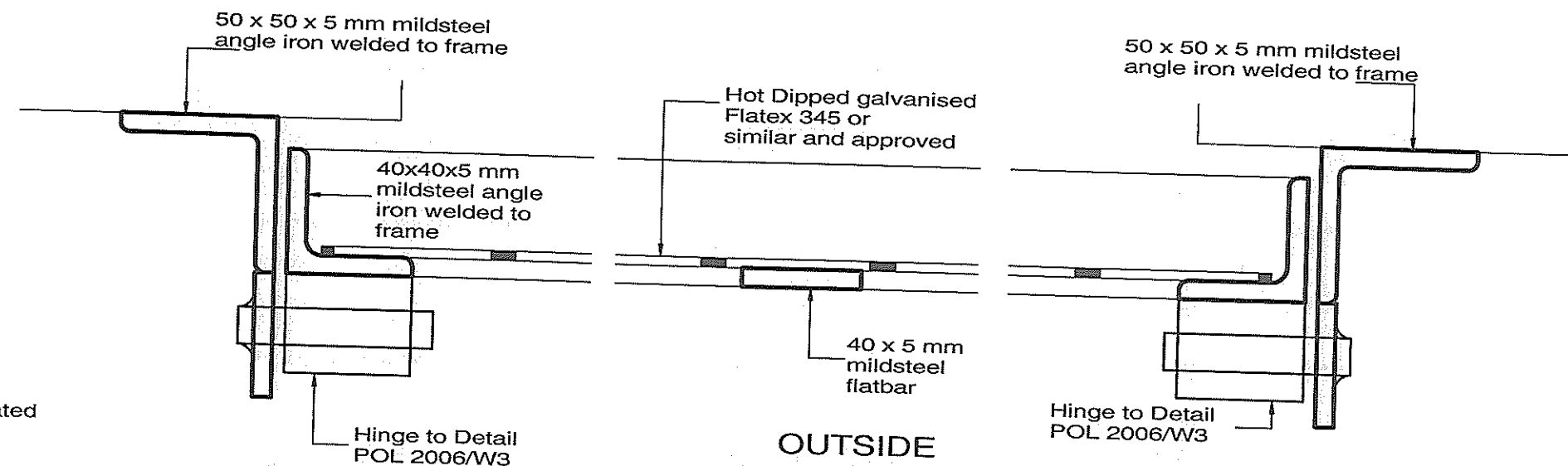
consultant/departmental	
discipline ARCHITECTURAL	
service SOUTH AFRICAN POLICE SERVICE	
WCS number	
drawing title TYPE CELL WINDOW DETAIL PLAN & DETAILS	
ref.no	designed
scale As Shown	drawn cds
date JUNE 2006	checked
type number POL 2006/W1	
drawing number	



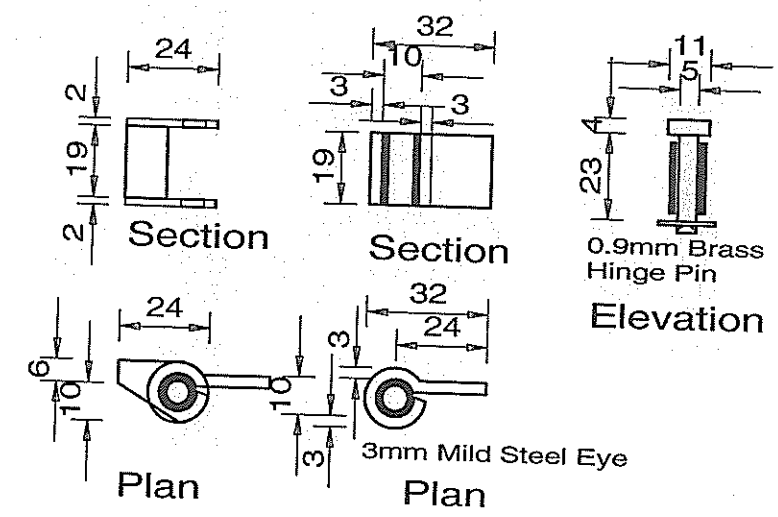
**DETAIL PLAN THROUGH WINDOW & INTERNAL SCREEN**  
SCALE 1 : 2



**DETAIL OF HANDLE**  
SCALE 1 : 2



**DETAIL PLAN THROUGH EXTERIOR SCREEN**  
SCALE 1 : 2



**DETAIL OF WINDOW HINGE**  
SCALE 1 : 2

**NOTE:**  
All work according to Departmental Specification PW 371  
All steel to be Galvanised  
All steel work to be hot dipped galvanised, all in accordance with SABS Specification 763.  
- see PW 371 Section 13  
Clause 13.1 to 13.3

NO	DATE	AMENDMENT	D.P.W.

Copyright vests in the Department of Public Works

**NOTE**  
References to trade names are used only to simplify detailing. Various similar and approved products are available and can be substituted with prior approval from SAPS SCM (Expert Services) Pretoria. Tel (012) 845 8726 Fax (012) 845 8762

cad file name  
POL2006-W2.DRW  
CELL WINDOW DETAIL  
PLAN DETAILS

DEPARTMENT OF PUBLIC WORKS  
Private Bag X65  
Pretoria  
0001  
Tel (012) 337 2000  
Director-General:  
T.M. Sokutu

consultant/departmental

discipline  
**ARCHITECTURAL**

service  
**SOUTH AFRICAN POLICE SERVICE**

WCS number

drawing title  
**TYPE CELL WINDOW DETAIL PLAN DETAILS**

ref.no. \_\_\_\_\_ designed \_\_\_\_\_

scale **As Shown** drawn **cds**

date **JUNE 2006** checked \_\_\_\_\_

type number **POL 2006/W2**

drawing number

